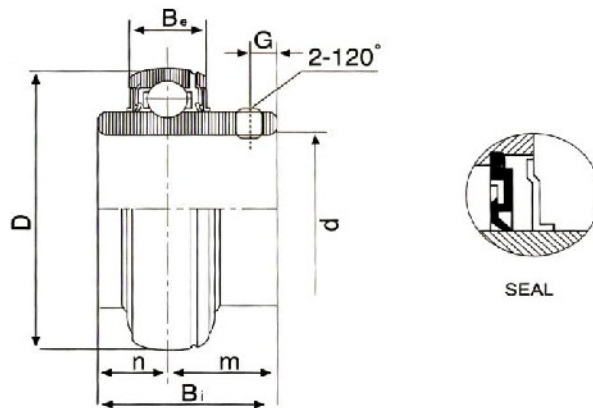




Stainless steel insert ball bearing - inner ring extended on both sides

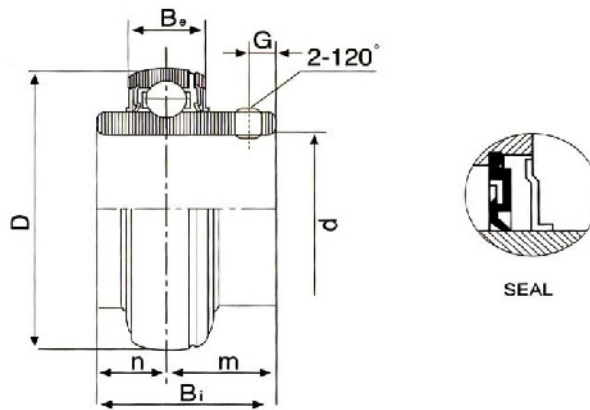


Dimension table . Dimensions in inch

Bearing No.	Shaft Dia		Bearing Dimensions							ds		Basic dynamic Load ratings (N)	Basic static Load ratings (N)	weight (kg)
	(mm)	(in)	D	Bi	Be	n	m	G	(mm)	(in.UNF)				
SUC 201 201-8	12	1/2	47	31	17	12.7	18.3	5	M6x1	1/4-28	9 880	6 200	0.21	
SUC 202 202-9 202-10	15	9/16 5/8	47	31	17	12.7	18.3	5	M6x1	1/4-28	9 880	6 200	0.19	
SUC 203 203-11	17	11/16	47	31	17	12.7	18.3	5	M6x1	1/4-28	9 880	6 200	0.18	
SUC 204 204-12	20	3/4	47	31	17	12.7	18.3	5	M6x1	1/4-28	9 880	6 200	0.16	
SUC 205 205-14 205-15 205-16	25	7/8 15/16 1	52	34.1	17	14.3	19.8	5.4	M6x1	1/4-28	10 780	6 980	0.18	
SUC 206 206-17 206-18 206-19 206-20	30	1-1/16 1-1/8 1-3/16 1-1/4	62	38.1	19	15.9	22.2	5.5	M6x1	1/4-28	14 970	10 040	0.33	
SUC 207 207-20 207-21 207-22 207-23	35	1-1/4 1-5/16 1-3/8 1-3/16	72	42.9	20	17.5	25.4	6.9	M8x1	5/16-24	19 750	13 670	0.49	
SUC 208 208-24 208-25	40	1-1/2 1-9/16	80	49.2	21	19.0	30.2	8	M8x1	5/16-24	22 710	15 940	0.65	
SUC 209 209-26 209-27 209-28	45	1-5/8 1-11/16 1-3/4	85	49.2	22	19.0	30.2	8	M8x1	5/16-24	24 360	17 710	0.71	



Stainless steel insert ball bearing - inner ring extended on both sides



Dimension table . Dimensions in inch

Bearing No.	Shaft Dia d		Bearing Dimensions							Basic dynamic Load ratings (N)	Basic static Load ratings (N)	weight (kg)	
	(mm)	(in)	D	Bi	Be	n	m	G	ds (mm) (in.UNF)				
SUC 210	50		90	51.6	24	19	32.6	10	M10x1.25	3/8-24	26 980	19 840	0.80
210-30		1-7/8											
210-31		1-15/16											
210-32		2											
SUC 211	55		100	55.6	25	22.2	33.4	10	M10x1.25	3/8-24	33 370	25 110	1.08
211-32		2											
211-34		2-1/8											
211-35		2-3/16											
SUC 212	60		110	65.1	27	25.4	39.7	10	M10x1.25	3/8-24	36 740	27 970	1.51
212-36		2-1/4											
212-38		2-3/8											
212-39		2-7/16											
SUC 213	65		120	65.1	28	25.4	39.7	10	M10x1.25	3/8-24	44 010	34 180	1.86
213-39		2.7/16											
213-40		2-1/2											