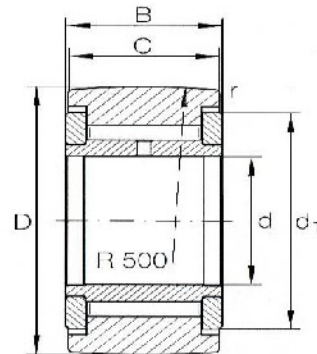
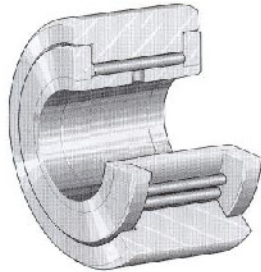




Yoke type track rollers



Dimension table . Dimensions in mm

Outside diameter	Designation	Designation	Mass ≈ g	Dimensions						Basic load rating		Fatigue load P _{UW} N	Speed ¹⁾ n _{0 grease} min ⁻¹
				d	D	C	B	d ₁	r min	dyn C _w N	stat C _{0w} N		
16	NATV 5	NATV 5 PP	15	5	16	11	12	12	0.15	4 607	6 175	807	3 610
19	NATV 6	NATV 6 PP	21	6	19	11	12	14	0.15	5 225	7 505	978	2 945
24	NATV 8	NATV 8 PP	42	8	24	14	15	19	0.30	7 410	10 830	1 349	2 375
30	NATV 10	NATV 10 PP	65	10	30	14	15	23	0.60	9 025	13 870	1 729	1 995
32	NATV 12	NATV 12 PP	72	12	32	14	15	25	0.60	9 215	14 630	1 824	1 710
35	NATV 15	NATV 15 PP	105	15	35	18	19	27	0.60	12 160	21 850	2 755	1 520
40	NATV 17	NATV 17 PP	152	17	40	20	21	32	1.00	14 060	25 175	2 850	1 330
47	NATV 20	NATV 20 PP	254	20	47	24	25	37	1.00	19 570	39 900	4 940	1 235
52	NATV 25	NATV 25 PP	285	25	52	24	25	42	1.00	14 630	41 800	5 130	950
62	NATV 30	NATV 30 PP	481	30	62	28	29	51	1.00	19 475	58 900	7 315	807
72	-	NATV 35 PP	647	35	72	28	29	58	1.10	28 975	69 350	8 550	712
80	-	NATV 40 PP	890	40	80	30	32	66	1.10	38 950	85 500	10 640	617
90	-	NATV 50 PP	990	50	90	30	32	76	1.10	38 475	88 350	11 020	522

- Bearing with lip seals (suffix PP)

permissible operating temperature: -30°C to + 100°C (continuous operation)