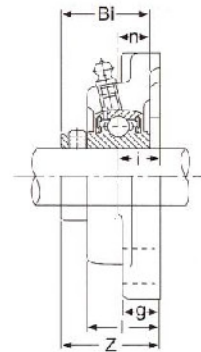
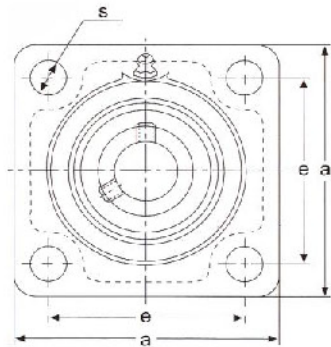




## All Stainless Steel Square Flange Unit



**Dimension table . Dimensions in mm**

Unit No.	Shaft Dia		a	e	i	g	l	s	Z	Bi	n	Bolt Size mm	Bearing No.	Housing No.	Weight kg
	( in )	( mm )													
MUCF 204-12 MUCF 204	3/4	20	86	64	15	10	25.5	12	33.3	31	12.7	M10	SUC 204-12 SUC 204	SF 204	0.61
MUCF 205-14 MUCF 205-15 MUCF 205	7/8 15/16	25	95	70	16	12	27	12	35.8	34.1	14.3	M10	SUC 205-14 SUC 205-15 SUC 205	SF 205	0.84
MUCF 205-16	1												SUC 205-16		
MUCF 206-17 MUCF 206-18 MUCF 206	1-1/16 1-1/8	30	108	83	18	13	31	12	40.2	38.1	15.9	M14	SUC 206-17 SUC 206-18 SUC 206	SF 206	1.24
MUCF 206-19 MUCF 206-20	1-3/16 1-1/4												SUC 206-19 SUC 206-20		
MUCF 207-20 MUCF 207-21 MUCF 207-22 MUCF 207	1-1/4 1-5/16 1-3/8	35	117	92	19	14	34	14	44.4	42.9	17.5	M14	SUC 207-20 SUC 207-21 SUC 207-22 SUC 207	SF 207	1.59
MUCF 207-23	1-7/16												SUC 207-23		
MUCF 208-24 MUCF 208-25 MUCF 208	1-1/2 1-9/16	40	130	102	21	15	36	16	51.2	49.2	19	M14	SUC 208-24 SUC 208-25 SUC 208	SF208	2.21
MUCF 209-26 MUCF 209-27 MUCF 209-28 MUCF 209	1-5/8 1-11/16 1-3/4	45	137	105	22	15	38	16	52.2	49.2	19	M14	SUC 209-26 SUC 209-27 SUC 209-28 SUC 209	SF 209	2.48
MUCF 210-30 MUCF 210-31 MUCF 210	1-7/8 1-15/16	50	143	111	22	16	40	16	54.6	51.6	19	M16	SUC 210-30 SUC 210-31 SUC 210	SF 210	2.81
MUCF 210-32	2												SUC 210-32		
MUCF 211-32 MUCF 211-34 MUCF 211	2 2-1/8	55	162	130	25	16	43	19	58.4	55.6	22.2	M16	SUC 211-32 SUC 211-34 SUC 211-34	SF211	3.26
MUCF 211-35	2-3/16												SUC 211-35		
MUCF 212-36 MUCF 212 MUCF 212-38 MUCF 212-39	2-1/4  2-3/8 2-7/16	60	175	143	29	16	48	19	68.7	65.1	25.4	M16	SUC 212-36 SUC 212 SUC 212-38 SUC 212	SF212	4.18