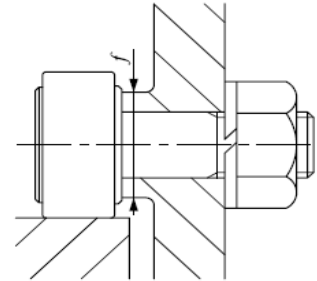
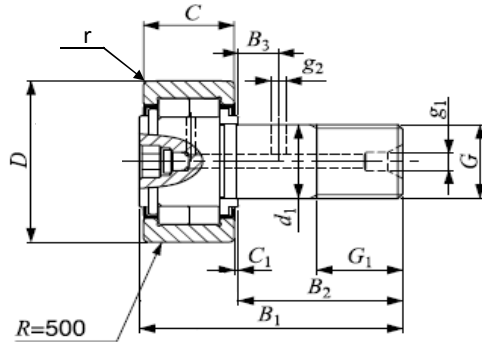
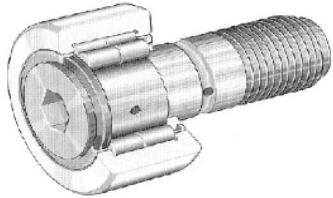




Cam Followers : Cylindrical Roller Stud Type with Hexagon Hole

Model NUKR



Outer Ring Shape : Crowned (Spherical)
Material : SUJ2
Accessory : 1 Hexagon Nut (S45C, Black Oxide)

INK Product Code	Outer Ring Diameter	Option	Mass (g)	Dimensions (unit : mm.)														Max. Nut tightening torque (N-m)	Basic load ratings			Max. radial loads		Speed rpm
				D	d ₁ h7	C	r _{min}	B ₁	B ₂	B ₃	G	G ₁	g ₁	g ₂	C ₁	f	C (Dynamic) N		C ₀ (Static) N	Fatigue limit load N	F _R (Dynamic) N	F _{0R} (Static) N		
NUKR 35	35	Sealed	164	35	16	18	0.6	52	33	8	M16x1.5	17	6	3	1	20	58	14250	15960	2109	8170	15960	6175	
NUKR 40	40	Sealed	242	40	18	20	1	58	37	8	M18x1.5	19	6	3	1	22	87	17480	21470	2755	12445	21470	5225	
NUKR 47	47	Sealed	380	47	20	24	1	66	41	9	M20x1.5	21	8	4	1	27	120	26600	33250	4180	15580	31350	3990	
NUKR 52	52	Sealed	450	52	20	24	1	66	41	9	M20x1.5	21	8	4	1	31	120	27550	35625	4465	16435	32775	3230	
NUKR 62	62	Sealed	795	62	24	28	1	80	50	11	M24x1.5	25	8	4	1	38	220	38000	47500	5985	38000	44175	2470	
NUKR 72	72	Sealed	1020	72	24	28	1	80	50	11	M24x1.5	25	8	4	1	44	220	42275	57000	7220	42275	57000	1995	
NUKR 80	80	Sealed	1600	80	30	35	1.1	100	63	15	M30x1.5	32	8	4	1	47	450	65550	93100	11495	65550	91200	1710	
NUKR 90	90	Sealed	1960	90	30	35	1.1	100	63	15	M30x1.5	32	8	4	1	47	450	75050	111150	13680	75050	111150	1710	

INK Product Code	Outer Ring Diameter	Code Comparison Table			
		IKO	NTN	INA	SKF
NUKR 35	35	NUCF 16 BR	NUKR 35H/3AS	NUKR 35	NUKR 35 A
NUKR 40	40	NUCF 18 BR	NUKR 40H/3AS	NUKR 40	NUKR 40 A
NUKR 47	47	NUCF 20-1 BR	NUKR 47H/3AS	NUKR 47	NUKR 47 A
NUKR 52	52	NUCF 20 BR	NUKR 52H/3AS	NUKR 52	NUKR 52 A
NUKR 62	62	NUCF 24 BR	NUKR 62H/3AS	NUKR 62	NUKR 62 A
NUKR 72	72	NUCF 24-1 BR	NUKR 72H/3AS	NUKR 72	NUKR 72 A
NUKR 80	80	NUCF 30 BR	NUKR 80H/3AS	NUKR 80	NUKR 80 A
NUKR 90	90	NUCF 30-2 BR	NUKR 90H/3AS	NUKR 90	NUKR 90 A

Remark:

Continuous Operating Temperature: -30°C to 100°C.

Speed in continuous operation and for grease lubrication.