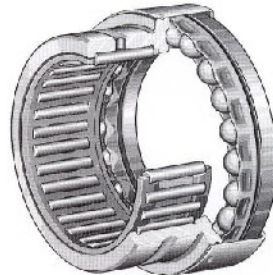
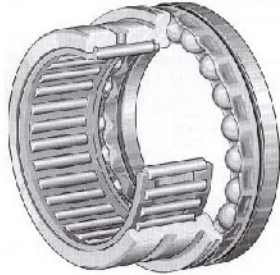




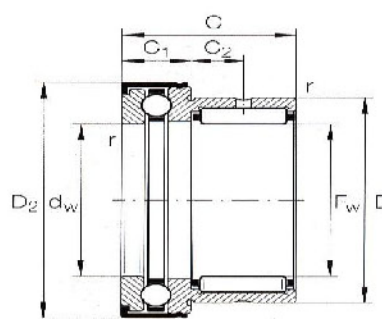
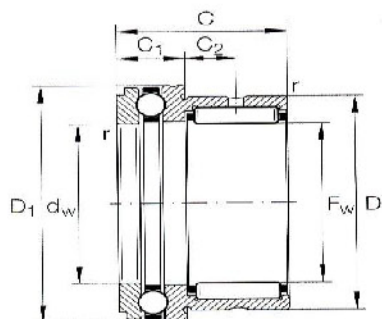
Needle roller/axial ball bearings



Dimension table . Dimensions in mm

Shaft diameter	Designation without retaining cap	Mass g	Designation retaining cap	Mass g	Dimensions								
					Fw	D	D ₁	D ₂	C -0.25	C ₁ -0.2	C ₂	d _w E8	r _s min
10	NKX 10	34	NKX 10 Z	36	10	19	24	25.2	23	9	6.5	10	0.3
12	NKX 12	38	NKX 12 Z	40	12	21	26	27.2	23	9	6.5	12	0.3
15	NKX 15	44	NKX 15 Z	47	15	24	28	29.2	23	9	6.5	15	0.3
17	NKX 17	53	NKX 17 Z	55	17	26	30	31.2	25	9	8	17	0.3
20	NKX 20	83	NKX 20 Z	90	20	30	35	36.2	30	10	10.5	20	0.3
25	NKX 25	125	NKX 25 Z	132	25	37	42	43.2	30	11	9.5	25	0.6
30	NKX 30	141	NKX 30 Z	148	30	42	47	48.2	30	11	9.5	30	0.6
35	NKX 35	163	NKX 35 Z	168	35	47	52	53.2	30	12	9	35	0.6
40	NKX 40	200	NKX 40 Z	208	40	52	60	61.2	32	13	10	40	0.6
45	NKX 45	252	NKX 45 Z	265	45	58	65	66.5	32	14	9	45	0.6
50	NKX 50	280	NKX 50 Z	300	50	62	70	71.5	35	14	10	50	0.6
60	NKX 60	360	NKX 60 Z	380	60	72	85	86.5	40	17	12	60	1
70	NKX 70	500	NKX 70 Z	520	70	85	95	96.5	40	18	11	70	1

- Minimum axial load $F_a=1\%$ to 2% of C (axial)
- With grease lubrication, 60% of the values given in the tables are permissible.



Dimension table . Dimensions in mm

Basic load ratings radial		axial		Limiting speed ² n_G min^{-1}	Mounting dimensions		Recommended inner ring ³ Designation	shaft diameter
dyn C N	stat C0 N	dyn C N	stat C0 N		d_a	r_a max		
5 890	7 410	10 000	12 100	11 400	19.7	0.3	IRT 7X10X16	10
8 550	10 450	10 300	13 300	10 450	21.7	0.3	IRT 9X12X16	12
10 165	12 065	10 500	14 500	9 025	23.7	0.3	IRT 12X15X16	15
11 305	14 250	10 800	15 700	8 075	25.7	0.3	IRT 14X17X17	17
15 580	22 610	14 300	21 400	7 125	30.7	0.3	IRT 17X20X20	20
17 860	28 975	19 600	32 000	5 700	37.7	0.6	IRT 20X25X20	25
21 470	34 200	20 400	36 500	4 750	42.7	0.6	IRT 25X30X20	30
23 085	39 425	21 200	41 000	4 370	47.7	0.6	IRT 30X35X20	35
24 700	44 650	27 000	54 000	3 800	55.7	0.6	IRT 35X40X20	40
26 125	50 350	28 000	60 000	3 420	60.5	0.6	IRT 40X45X20	45
36 100	70 300	29 000	65 000	3 135	65.5	0.6	IRT 45X50X25	50
39 900	85 500	41 500	97 000	2 660	80.5	1.0	IRT 50X60X25	60
42 275	87 400	43 000	110 000	2 280	90.5	1.0	IRT 60X70X25	70