



Ball Spline

THK General Catalog

Ball Spline

THK General Catalog

A Product Descriptions

Classification of Ball Splines..... A3-4

Point of Selection A3-6

Flowchart for Selecting a Ball Spline A3-6

- Steps for Selecting a Ball Spline A3-6
- Selecting a Type A3-8
- Studying the Spline Shaft Strength A3-12
- Predicting the Service Life..... A3-20

Selecting a Preload A3-29

- Clearance in the Rotation Direction A3-29
- Preload and Rigidity A3-29
- Conditions and Guidelines for Selecting of a Preload .. A3-30

Determining the Accuracy..... A3-33

- Accuracy Grades A3-33
- Accuracy Standards A3-33

High Torque Caged Ball Spline

Models SLS, SLS-L and SLF..... A3-36

- Structure and Features A3-37
- Types and Features A3-40
- Housing Inner-diameter Tolerance A3-41

Dimensional Drawing, Dimensional Table

Model SLS A3-42

Model SLF A3-44

- Spline Shaft A3-46
- Accessories A3-48

High Torque Type Ball Spline

Models LBS, LBST, LBF, LBR and LBH .. A3-50

- Structure and Features A3-51
- Applications A3-52
- Types and Features A3-53
- Housing Inner-diameter Tolerance A3-55

Dimensional Drawing, Dimensional Table

Miniature Ball Spline..... A3-56

Model LBS (Medium Load Type)..... A3-58

Model LBST (Heavy Load Type) A3-60

Model LBF (Medium Load Type) A3-62

Model LBR..... A3-64

Model LBH..... A3-66

Model LBS with Recommended Shaft End Shape .. A3-68

- Spline Shaft A3-69
- Accessories A3-72

Medium Torque Type Ball Spline

Models LT, LF and LT-X..... A3-74

- Structure and Features A3-75

• Types and Features A3-76

• Housing Inner-diameter Tolerance..... A3-77

Dimensional Drawing, Dimensional Table

Model LT A3-78

Model LF..... A3-80

Model LT-X A3-82

Model LT with Recommended Shaft End Shape .. A3-84

- Spline Shaft A3-85
- Accessories A3-87

Rotary Ball Spline

With Geared Type Models LBG and LBGT .. A3-88

- Structure and Features A3-89
- Types and Features A3-90
- Housing Inner-diameter Tolerance..... A3-91

Dimensional Drawing, Dimensional Table

Model LBG..... A3-92

Model LBGT A3-94

- Spline Shaft A3-96

Rotary Ball Spline

With Support Bearing Type Models LTR and LTR-A.. A3-98

- Structure and Features A3-99
- Types and Features A3-100
- Housing Inner-diameter Tolerance A3-101

Dimensional Drawing, Dimensional Table

Model LTR-A Compact Type..... A3-102

Model LTR A3-104

- Spline Shaft A3-106
- Permissible Rotational Speed for Rotary Ball Splines .. A3-108

Maximum Manufacturing Length by Accuracy .. A3-109

Point of Design A3-111

Checking List for Spline Shaft End Shape .. A3-111

Housing Inner-diameter Tolerance A3-112

Positions of the Spline-nut Keyway and Mounting Holes .. A3-112

Options A3-113

Lubrication A3-113

Material and Surface Treatment A3-113

Contamination Protection A3-113

- Specifications of the Bellows A3-114

Model No. A3-115

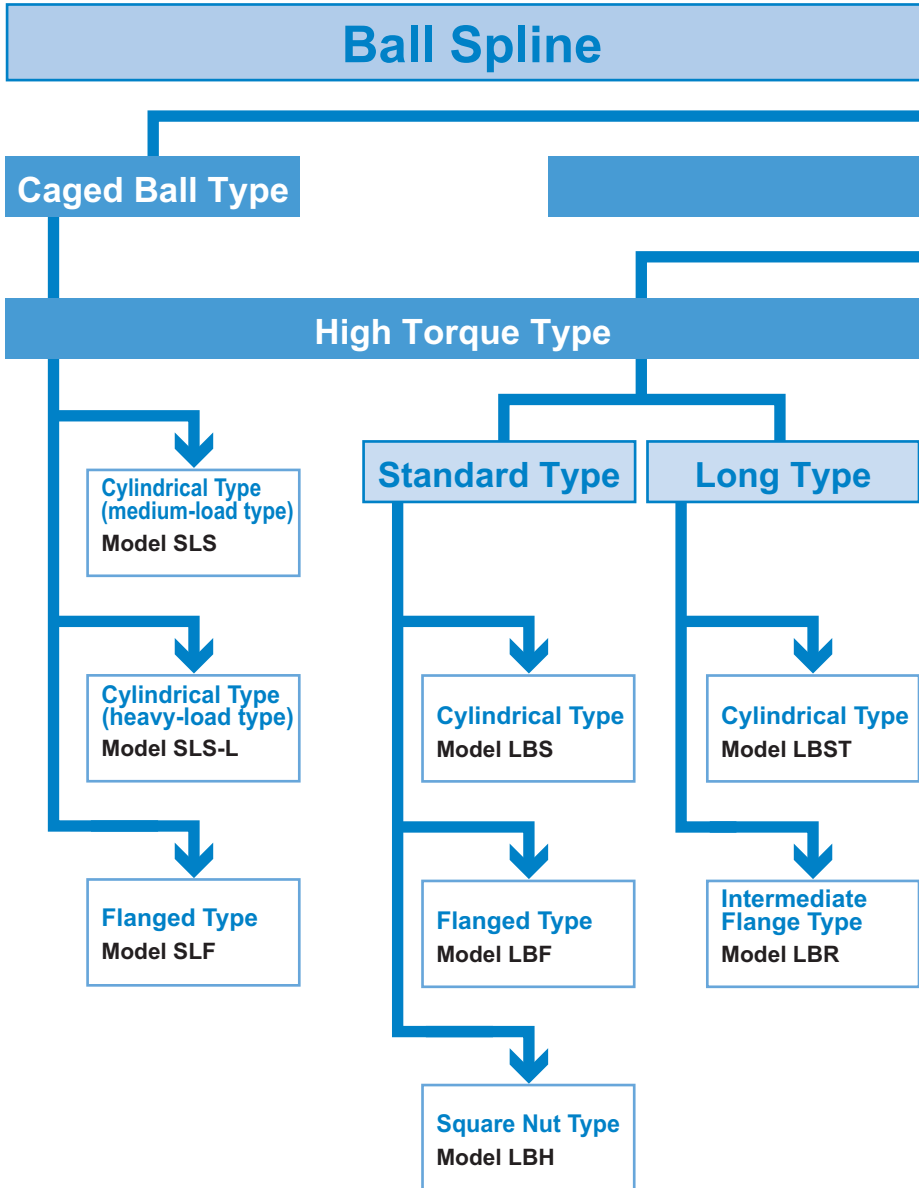
- Model Number Coding..... A3-115

Precautions on Use A3-116

B Support Book (Separate)

Features and Types	B3-4
Features of the Ball Spline	B3-4
• Structure and Features	B3-4
Classification of Ball Splines.....	B3-6
Point of Selection	B3-8
Flowchart for Selecting a Ball Spline.....	B3-8
• Steps for Selecting a Ball Spline	B3-8
• Selecting a Type	B3-10
• Studying the Spline Shaft Strength	B3-14
• Predicting the Service Life.....	B3-19
• Example of Calculating the Service Life....	B3-24
Mounting Procedure and Maintenance ..	B3-30
Assembling the Ball Spline.....	B3-30
• Mounting the Spline	B3-30
• Installing the Spline Nut	B3-32
• Installation of the Spline Shaft.....	B3-32
Lubrication	B3-33
Options	B3-34
Material and Surface Treatment	B3-34
Contamination Protection	B3-34
Model No.	B3-35
• Model Number Coding.....	B3-35
Precautions on Use	B3-36

Classification of Ball Splines



Full-ball Type

Medium Torque Type

Cylindrical Type
Model LT

Flanged Type
Model LF

Miniature type
Model LT-X

Rotary Type

With Geared Type

Standard Type
Model LBG

**With a Thrust
Raceway Type**
Model LBGT

With Support Bearing Type

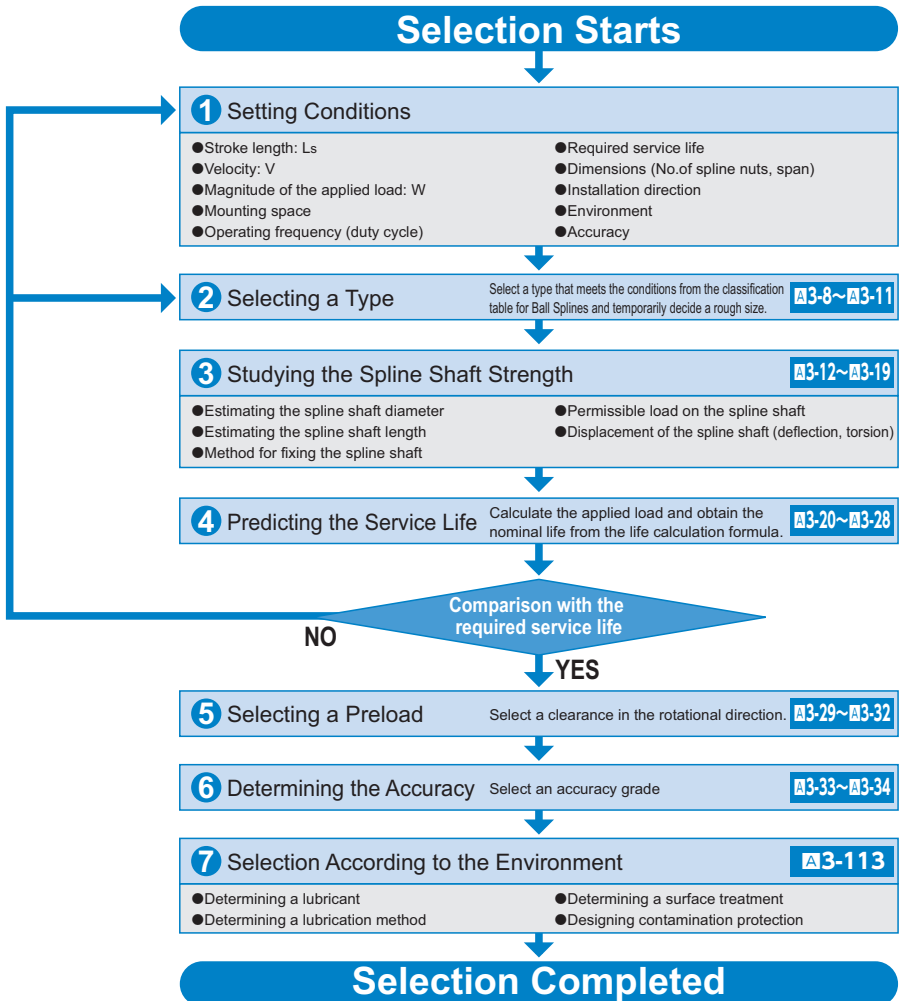
Standard Type
Model LTR

Compact Type
Model LTR-A

Flowchart for Selecting a Ball Spline

Steps for Selecting a Ball Spline

The following is a flowchart to reference when selecting a Ball Spline.



Point of Selection

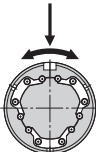
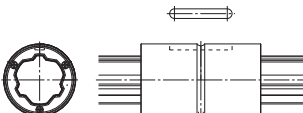
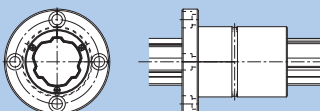
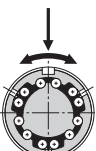
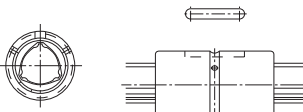
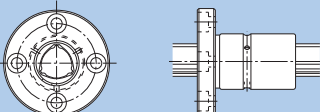
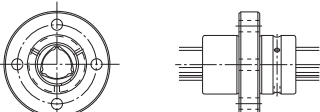

Flowchart for Selecting a Ball Spline



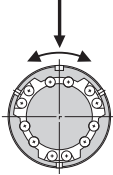
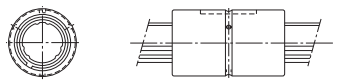
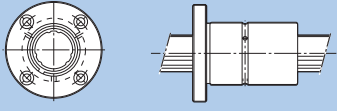
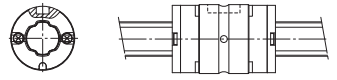
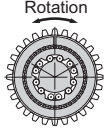
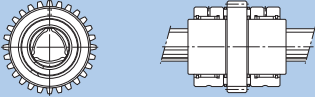

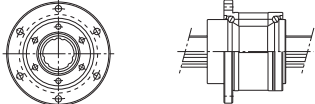
Ball Spline

Selecting a Type

There are three types of the Ball Spline: high torque type, medium torque type and rotary type. You can choose a type according to the intended use. In addition, wide arrays of spline nut shapes are available for each type, enabling the user to choose a desired shape according to the mounting or service requirements.

Classification		Type	Shape	Shaft diameter
High torque Caged Ball type		Type SLS Type SLS-L		Nominal shaft diameter 25 to 100mm
		Type SLF		Nominal shaft diameter 25 to 100mm
High torque type		Type LBS Type LBST		Nominal shaft diameter 6 to 150mm
		Type LBF		Nominal shaft diameter 15 to 100mm
		Type LBR		Nominal shaft diameter 15 to 100mm
		Type LBH		Nominal shaft diameter 15 to 50mm

Specification Table	Structure and features	Major application
A3-42	<ul style="list-style-type: none"> • Redesigning the shape of the conventional high torque type spline shaft to be more circular significantly improves its torsion and flexural rigidity. • Models SLS/SLF adopt the caged-ball technology to enable the circulating motion of evenly spaced balls to be maintained and high-speed response to be achieved, the cycle time of the machine can be improved. • Models SLS/SLF adopt the caged-ball technology, they eliminate collision and mutual friction between balls, and realize low noise, pleasant running sound and low particle generation. • Models SLS/SLF adopt the caged-ball technology to substantially increase the grease retention, thus achieving long-term maintenance-free operation. • Models SLS/SLF adopt the caged-ball technology and a new circulation method, thus achieving stable and smooth motion with small rolling fluctuation. 	<ul style="list-style-type: none"> • Column and arm of industrial robot • Automatic loader • Transfer machine • Automatic conveyance system • Tire molding machine • Spindle of spot-welding machine • Guide shaft of high-speed automatic coating machine • Riveting machine • Wire winder • Work head of electric discharge machine • Spindle drive shaft of grinding machine • Speed gears • Precision indexing machine
A3-44		
A3-56	<ul style="list-style-type: none"> • The spline shaft has three crests equidistantly formed at angles of 120°. On both sides of each crest, two rows (six rows in total) of balls are arranged to hold the crest from both sides. The angular-contact design of the ball contact areas allows an appropriate preload to be evenly applied. • Since the balls circulate inside the spline nut, the outer dimensions of the spline nut are compactly designed. • Even under a large preload, smooth straight motion is achieved. • Since the contact angle is large (45°) and the displacement is minimal, high rigidity is achieved. • No angular backlash occurs. • Capable of transmitting a large torque. 	
A3-62		
A3-64		
A3-66		

Classification		Type	Shape	Shaft diameter
Medium torque type		Type LT		Nominal shaft diameter 4 to 100mm
		Type LF		Nominal shaft diameter 6 to 50mm
		Type LT-X		Nominal shaft diameter 4 to 6mm
Rotary type		Type LBG Type LBGT		Nominal shaft diameter 20 to 85mm
		Type LTR-A Type LTR		Nominal shaft diameter 8 to 60mm

Point of Selection

Selecting a Type

Specification Table	Structure and features	Major application	
A3-78	<ul style="list-style-type: none"> The spline shaft has two to three crests. On both sides of each crest, two rows (four to six rows in total) of balls are arranged to hold the crest from both sides. This design allows an appropriate preload to be evenly applied. The contact angle of 20° and an appropriate preload level eliminate angular backlash, providing high-torque moment rigidity. 	<ul style="list-style-type: none"> Die-set shaft and similar applications requiring straight motion under a heavy load Loading system and similar applications requiring rotation to a given angle at a fixed position Automatic gas-welding machine spindle and similar applications requiring a whirl-stop on one shaft 	<ul style="list-style-type: none"> Column and arm of industrial robot Spot-welding machine Riveting machine Book-binding machine Automatic filler XY recorders Automatic spinner Optical measuring instrument
A3-80			
A3-82	<ul style="list-style-type: none"> The length and external diameter of the LT-X ball spline's outer cylinder are the same as those of an LM-series linear bush, enabling the user to replace a linear bush with the LT-X. 		
A3-92	<ul style="list-style-type: none"> A unit type that has the same contact structure as model LBS. The flange circumference on the spline nut is machined to have gear teeth, and radial and thrust needle bearings are compactly combined on the circumference of the spline nut. 	<ul style="list-style-type: none"> Speed gears for high torque transmission 	
A3-102	<ul style="list-style-type: none"> A lightweight and compact type based on model LT, but has a spline nut circumference machined to have angular-contact type ball raceways to accommodate support bearings. 	<ul style="list-style-type: none"> Z axis of scalar robot Wire winder 	

Studying the Spline Shaft Strength

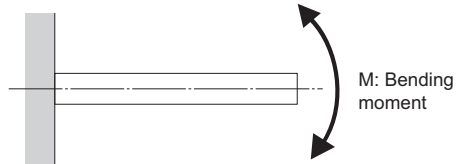
The spline shaft of the Ball Spline is a compound shaft capable of receiving a radial load and torque. When the load and torque are large, the spline shaft strength must be taken into account.

[Spline Shaft Receiving a Bending Load]

When a bending load is applied to the spline shaft of a Ball Spline, obtain the spline shaft diameter using the equation (1) below.

$$M = \sigma \cdot Z \quad \text{and} \quad Z = \frac{M}{\sigma} \quad \dots\dots\dots(1)$$

- M : Maximum bending moment acting on the spline shaft (N-mm)
 σ : Permissible bending stress of the spline shaft (98N/mm²)
 Z : Modulus section factor of the spline shaft (mm³)
 (see Table3 on **A3-17**, Table4 on **A3-18** and Table5 on **A3-19**)



[Reference] Section Modulus (Solid Circle)

$$Z = \frac{\pi \cdot d^3}{32}$$

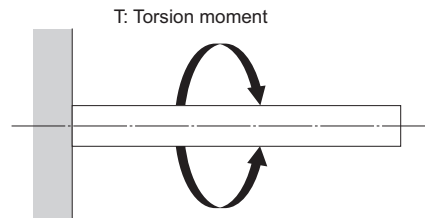
- Z : Section Modulus (mm³)
 d : Shaft outer diameter (mm)

[Spline Shaft Receiving a Torsion Load]

When a torsion load is applied on the spline shaft of a Ball Spline, obtain the spline shaft diameter using the equation (2) below.

$$T = \tau_a \cdot Z_p \quad \text{and} \quad Z_p = \frac{T}{\tau_a} \quad \dots\dots\dots(2)$$

- T : Maximum torsion moment (N-mm)
 τ_a : Permissible torsion stress of the spline shaft (49N/mm²)
 Z_p : Polar modulus of section of the spline nut (mm³)
 (see Table3 on **A3-17**, Table4 on **A3-18** and Table5 on **A3-19**)



[Reference] Section Modulus (Solid Circle)

$$Z_p = \frac{\pi \cdot d^3}{16}$$

- Z_p : Section modulus (mm³)
 d : Shaft outer diameter (mm)

[When the Spline Shaft Simultaneously Receives a Bending Load and a Torsion Load]

When the spline shaft of a Ball Spline receives a bending load and a torsion load simultaneously, calculate two separate spline shaft diameters: one for the equivalent bending moment (M_e) and the other for the equivalent torsion moment (T_e). Then, use the greater value as the spline shaft diameter.

Equivalent bending moment

$$M_e = \frac{M + \sqrt{M^2 + T^2}}{2} = \frac{M}{2} \left\{ 1 + \sqrt{1 + \left(\frac{T}{M}\right)^2} \right\} \dots\dots\dots(3)$$

$$M_e = \sigma \cdot Z$$

Equivalent torsion moment

$$T_e = \sqrt{M^2 + T^2} = M \cdot \sqrt{1 + \left(\frac{T}{M}\right)^2} \dots\dots\dots(4)$$

$$T_e = \tau_a \cdot Z_p$$

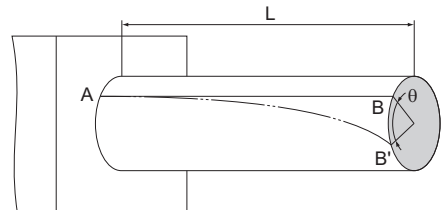
[Rigidity of the Spline Shaft]

The rigidity of the spline shaft is expressed as a torsion angle per meter of shaft length. Its value should be limited within $1^\circ/4$.

$$\theta = 57.3 \times \frac{T \cdot L}{G \cdot I_p} \dots\dots\dots(5)$$

$$\text{Rigidity of the shaft} = \frac{\text{Torsion angle}}{\text{Unit length}} = \frac{\theta \cdot \ell}{L} < \frac{1^\circ}{4}$$

- θ : Torsion angle (°)
- L : Spline shaft length (mm)
- G : Transverse elastic modulus
($7.9 \times 10^4 \text{N/mm}^2$)
- ℓ : Unit length (1000mm)
- I_p : Polar moment of inertia (mm⁴)
(see Table3 on **A3-17**, Table4 on **A3-18** and Table5 on **A3-19**)



[Deflection and Deflection Angle of the Spline Shaft]

The deflection and deflection angle of the Ball Spline shaft need to be calculated using equations that meet the relevant conditions. Table1 and Table2 represent these conditions and the corresponding equations.

Table3 on **A3-17**, Table4 on **A3-18** and Table5 on **A3-19** show the modulus section (Z) and the geometrical moments of inertia (I) of the spline shaft. Using Z and I values in the tables, the strength and displacement (deflection) of a typical Ball Spline model can be obtained.

Table1 Deflection and Deflection Angle Equations

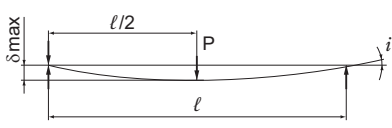
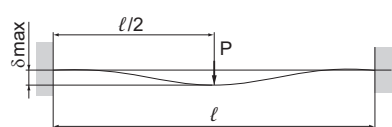
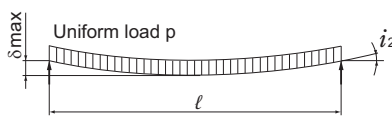
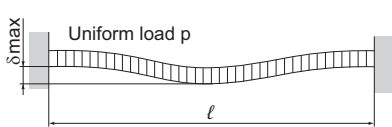
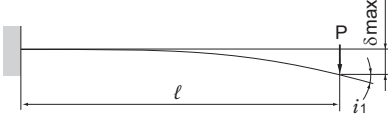
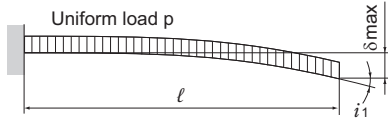
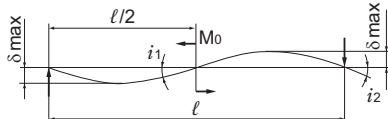
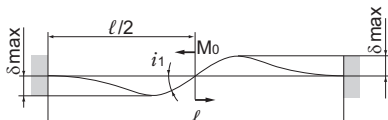
Support method	Condition	Deflection equation	Deflection angle equation
Both ends free		$\delta_{\max} = \frac{Pl^3}{48EI}$	$i_1 = 0$ $i_2 = \frac{Pl^2}{16EI}$
Both ends fastened		$\delta_{\max} = \frac{Pl^3}{192EI}$	$i_1 = 0$ $i_2 = 0$
Both ends free		$\delta_{\max} = \frac{5pl^4}{384EI}$	$i_2 = \frac{pl^3}{24EI}$
Both ends fastened		$\delta_{\max} = \frac{pl^4}{384EI}$	$i_2 = 0$

Table2 Deflection and Deflection Angle Equations

Support method	Condition	Deflection equation	Deflection angle equation
One end fastened		$\delta_{\max} = \frac{P\ell^3}{3EI}$	$i_1 = \frac{P\ell^2}{2EI}$ $i_2 = 0$
One end fastened		$\delta_{\max} = \frac{p\ell^4}{8EI}$	$i_1 = \frac{p\ell^3}{6EI}$ $i_2 = 0$
Both ends free		$\delta_{\max} = \frac{\sqrt{3}M_0\ell^2}{216EI}$	$i_1 = \frac{M_0\ell}{12EI}$ $i_2 = \frac{M_0\ell}{24EI}$
Both ends fastened		$\delta_{\max} = \frac{M_0\ell^2}{216EI}$	$i_1 = \frac{M_0\ell}{16EI}$ $i_2 = 0$

 δ_{\max} : Maximum deflection (mm) M_0 : Moment (N-mm) ℓ : Span (mm)I: Geometrical moment of inertia (mm⁴) i_1 : Deflection angle at loading point i_2 : Deflection angle at supporting point

P: Concentrated load (N)

p: Uniform load (N/mm)

E: Modulus of longitudinal elasticity 2.06×10^5 (N/mm²)

[Dangerous Speed of the Spline Shaft]

When a Ball Spline shaft is used to transmit power while rotating, as the rotational speed of the shaft increases, the rotation cycle nears the natural frequency of the spline shaft. It may cause resonance and eventually result in inability to move. Therefore, the maximum rotational speed of the shaft must be limited to below the dangerous speed that does not cause resonance.

The dangerous speed of the spline shaft is obtained using the equation (6).

(0.8 is multiplied as a safety factor)

If the shaft's rotation cycle exceeds or nears the resonance point during operation, it is necessary to reconsider the spline shaft diameter.

● Dangerous Speed

$$N_c = \frac{60\lambda^2}{2\pi \cdot l_b^2} \cdot \sqrt{\frac{E \times 10^3 \cdot I}{\gamma \cdot A}} \times 0.8 \quad \cdots (6)$$

N_c : Dangerous speed (min⁻¹)

l_b : Distance between two mounting surfaces (mm)

E : Young's modulus (2.06 × 10⁵ N/mm²)

I : Minimum geometrical moment of inertia of the shaft (mm⁴)

$$I = \frac{\pi}{64} d^4 \quad d: \text{Minor diameter (mm)}$$

(see Table8, Table9 and Table10 on **A3-23**)

γ : Density (specific gravity)
(7.85 × 10⁻⁶kg/mm³)

$$A = \frac{\pi}{4} d^2 \quad d: \text{Minor diameter (mm)}$$

(see Table8, Table9 and Table10 on **A3-23**)

A : Spline shaft cross-sectional area (mm²)

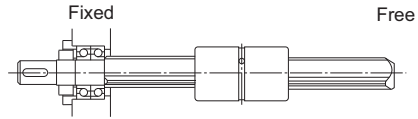
λ : Factor according to the mounting method

(1) Fixed - free $\lambda=1.875$

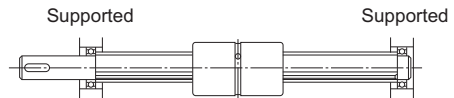
(2) Supported - supported $\lambda=3.142$

(3) Fixed - supported $\lambda=3.927$

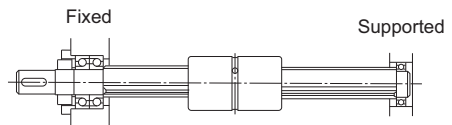
(4) Fixed - fixed $\lambda=4.73$



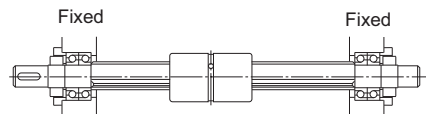
Fixed - free



Supported - supported



Fixed - supported



Fixed - fixed

[Cross-sectional Characteristics of the Spline Shaft]

● Cross-sectional Characteristics of the Spline Shaft for Ball Spline Models SLS, SLS-L and SLF

Table3 Cross-sectional Characteristics of the Spline Shaft for Models SLS, SLS-L and SLF

Nominal shaft diameter		I: Geometrical moment of inertia mm ⁴	Z: Modulus section mm ³	I _p : Polar moment of inertia mm ⁴	Z _p : Section modulus mm ³
25	Solid shaft	1.61×10^4	1.29×10^3	3.22×10^4	2.57×10^3
	Hollow shaft	1.51×10^4	1.20×10^3	3.01×10^4	2.41×10^3
30	Solid shaft	3.33×10^4	2.22×10^3	6.65×10^4	4.43×10^3
	Hollow shaft	3.00×10^4	2.00×10^3	6.01×10^4	4.00×10^3
40	Solid shaft	1.09×10^5	5.47×10^3	2.19×10^5	1.09×10^4
	Hollow shaft	9.79×10^4	4.90×10^3	1.96×10^5	9.79×10^3
50	Solid shaft	2.71×10^5	1.08×10^4	5.41×10^5	2.17×10^4
	Hollow shaft	2.51×10^5	1.01×10^4	5.03×10^5	2.01×10^4
60	Solid shaft	5.83×10^5	1.94×10^4	1.17×10^6	3.89×10^4
	Hollow shaft	5.32×10^5	1.77×10^4	1.06×10^6	3.54×10^4
70	Solid shaft	1.06×10^6	3.02×10^4	2.11×10^6	6.04×10^4
80	Solid shaft	1.82×10^6	4.55×10^4	3.64×10^6	9.10×10^4
	Hollow shaft	1.45×10^6	3.62×10^4	2.90×10^6	7.24×10^4
100	Solid shaft	4.50×10^6	9.00×10^4	9.00×10^6	1.80×10^5
	Hollow shaft	3.48×10^6	6.96×10^4	6.96×10^6	1.36×10^5

Note) For the hole-shape of the hollow spline shaft, see **A3-46**.

● **Cross-sectional Characteristics of the Spline Shaft for Ball Spline Models LBS, LBST, LBF, LBR, LBH, LBG and LBG T**

Table4 Cross-sectional Characteristics of the Spline Shaft for Models LBS, LBST, LBF, LBR, LBH, LBG and LBG T

Nominal shaft diameter		I: Geometrical moment of inertia mm ⁴	Z: Modulus section mm ³	I _p : Polar moment of inertia mm ⁴	Z _p : Section modulus mm ³
6	Solid shaft	50.6	17.8	1.03×10^2	36.2
8	Solid shaft	1.64×10^2	42.9	3.35×10^2	87.8
10	Solid shaft	3.32×10^2	73.0	6.80×10^2	1.50×10^2
15	Solid shaft	1.27×10^3	2.00×10^2	2.55×10^3	4.03×10^2
20	Solid shaft	3.82×10^3	4.58×10^2	7.72×10^3	9.26×10^2
	Hollow shaft	3.79×10^3	4.56×10^2	7.59×10^3	9.11×10^2
25	Solid shaft	9.62×10^3	9.14×10^2	1.94×10^4	1.85×10^3
	Hollow shaft	9.50×10^3	9.05×10^2	1.90×10^4	1.81×10^3
30	Solid shaft	1.87×10^4	1.50×10^3	3.77×10^4	3.04×10^3
	Hollow shaft	1.78×10^4	1.44×10^3	3.57×10^4	2.88×10^3
40	Solid shaft	6.17×10^4	3.69×10^3	1.25×10^5	7.46×10^3
	Hollow shaft	5.71×10^4	3.42×10^3	1.14×10^5	6.84×10^3
50	Solid shaft	1.49×10^5	7.15×10^3	3.01×10^5	1.45×10^4
	Hollow shaft	1.34×10^5	6.46×10^3	2.69×10^5	1.29×10^4
60	Solid shaft	3.17×10^5	1.26×10^4	6.33×10^5	2.53×10^4
	Hollow shaft	2.77×10^5	1.11×10^4	5.54×10^5	2.21×10^4
70	Solid shaft	5.77×10^5	1.97×10^4	1.16×10^6	3.99×10^4
	Hollow shaft	5.07×10^5	1.74×10^4	1.01×10^6	3.49×10^4
85	Solid shaft	1.33×10^6	3.69×10^4	2.62×10^6	7.32×10^4
	Hollow shaft	1.11×10^6	3.10×10^4	2.22×10^6	6.20×10^4
100	Solid shaft	2.69×10^6	6.25×10^4	5.33×10^6	1.25×10^5
	Hollow shaft	2.18×10^6	5.10×10^4	4.37×10^6	1.02×10^5
120	Solid shaft	5.95×10^6	1.13×10^5	1.18×10^7	2.26×10^5
	Hollow shaft	5.28×10^6	1.01×10^5	1.06×10^7	2.02×10^5
150	Solid shaft	1.61×10^7	2.40×10^5	3.20×10^7	4.76×10^5
	Hollow shaft	1.40×10^7	2.08×10^5	2.79×10^7	4.16×10^5

Note) For the hole-shape of the hollow spline shaft, see **A3-69** and **A3-96**.

● Cross-sectional Characteristics of the Spline Shaft for Ball Spline Models LT, LF, LT-X, LTR and LTR-A

Table5 Cross-sectional Characteristics of the Spline Shaft for Models LT, LF, LT-X, LTR and LTR-A

Nominal shaft diameter		I: Geometrical moment of inertia mm ⁴	Z: Modulus section mm ³	I _p : Polar moment of inertia mm ⁴	Z _p : Section modulus mm ³	
4	Solid shaft	11.39	5.84	22.78	11.68	
4X	Solid shaft	11.2	5.7	23.2	11.8	
5	Solid shaft	27.88	11.43	55.76	22.85	
5X	Solid shaft	27.7	11.3	57.2	23.3	
6	Solid shaft	57.80	19.7	1.19×10 ²	40.50	
	Hollow shaft Type K	55.87	18.9	1.16×10 ²	39.20	
6X	Solid shaft	57.7	19.6	1.19×10 ²	40.4	
8	Solid shaft	1.86×10 ²	47.4	3.81×10 ²	96.60	
	Hollow shaft Type K	1.81×10 ²	46.0	3.74×10 ²	94.60	
10	Solid shaft	4.54×10 ²	92.6	9.32×10 ²	1.89×10 ²	
	Hollow shaft Type K	4.41×10 ²	89.5	9.09×10 ²	1.84×10 ²	
13	Solid shaft	1.32×10 ³	2.09×10 ²	2.70×10 ³	4.19×10 ²	
	Hollow shaft Type K	1.29×10 ³	2.00×10 ²	2.63×10 ³	4.09×10 ²	
16	Solid shaft	3.09×10 ³	3.90×10 ²	6.18×10 ³	7.80×10 ²	
	Hollow shaft	Type K	2.97×10 ³	3.75×10 ²	5.95×10 ³	7.51×10 ²
		Type N	2.37×10 ³	2.99×10 ²	4.74×10 ³	5.99×10 ²
20	Solid shaft	7.61×10 ³	7.67×10 ²	1.52×10 ⁴	1.53×10 ³	
	Hollow shaft	Type K	7.12×10 ³	7.18×10 ²	1.42×10 ⁴	1.43×10 ³
		Type N	5.72×10 ³	5.77×10 ²	1.14×10 ⁴	1.15×10 ³
25	Solid shaft	1.86×10 ⁴	1.50×10 ³	3.71×10 ⁴	2.99×10 ³	
	Hollow shaft	Type K	1.75×10 ⁴	1.41×10 ³	3.51×10 ⁴	2.83×10 ³
		Type N	1.34×10 ⁴	1.08×10 ³	2.68×10 ⁴	2.16×10 ³
30	Solid shaft	3.86×10 ⁴	2.59×10 ³	7.71×10 ⁴	5.18×10 ³	
	Hollow shaft	Type K	3.53×10 ⁴	2.37×10 ³	7.07×10 ⁴	4.74×10 ³
		Type N	2.90×10 ⁴	1.95×10 ³	5.80×10 ⁴	3.89×10 ³
32	Solid shaft	5.01×10 ⁴	3.15×10 ³	9.90×10 ⁴	6.27×10 ³	
	Hollow shaft	Type K	4.50×10 ⁴	2.83×10 ³	8.87×10 ⁴	5.61×10 ³
		Type N	3.64×10 ⁴	2.29×10 ³	7.15×10 ⁴	4.53×10 ³
40	Solid shaft	1.22×10 ⁵	6.14×10 ³	2.40×10 ⁵	1.21×10 ⁴	
	Hollow shaft	Type K	1.10×10 ⁵	5.55×10 ³	2.17×10 ⁵	1.10×10 ⁴
		Type N	8.70×10 ⁴	4.39×10 ³	1.71×10 ⁵	8.64×10 ³
50	Solid shaft	2.97×10 ⁵	1.20×10 ⁴	5.94×10 ⁵	2.40×10 ⁴	
	Hollow shaft	Type K	2.78×10 ⁵	1.12×10 ⁴	5.56×10 ⁵	2.24×10 ⁴
		Type N	2.14×10 ⁵	8.63×10 ³	4.29×10 ⁵	1.73×10 ⁴
60	Solid shaft	6.16×10 ⁵	2.07×10 ⁴	1.23×10 ⁶	4.14×10 ⁴	
	Hollow shaft Type K	5.56×10 ⁵	1.90×10 ⁴	1.13×10 ⁶	3.79×10 ⁴	
80	Solid shaft	1.95×10 ⁶	4.91×10 ⁴	3.90×10 ⁶	9.82×10 ⁴	
	Hollow shaft Type K	1.58×10 ⁶	3.97×10 ⁴	3.15×10 ⁶	7.95×10 ⁴	
100	Solid shaft	4.78×10 ⁶	9.62×10 ⁴	9.56×10 ⁶	1.92×10 ⁵	
	Hollow shaft Type K	3.76×10 ⁶	7.57×10 ⁴	7.52×10 ⁶	1.51×10 ⁵	

Note) For the hole-shape of the hollow spline shaft.

For type K: see **A3-85** and **A3-106**.

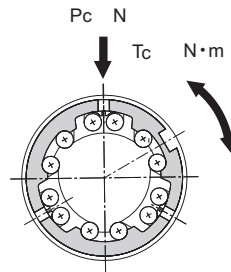
For type N: see **A3-85** and **A3-106**.

Predicting the Service Life

[Nominal Life]

The service life of a Ball Spline varies from unit to unit even if they are manufactured through the same process and used in the same operating conditions. Therefore, the nominal life defined below is normally used as a guidepost for obtaining the service life of a Ball Spline.

Nominal life is the total travel distance that 90% of a group of identical ball splines independently operating under the same conditions can achieve without showing flaking (scale-like pieces on a metal surface).



[Calculating the Nominal Life]

The nominal life of a Ball Spline varies with types of loads applied during operation: torque load, radial load and moment load. The corresponding nominal life values are obtained using the equations (7) to (10) below. (The basic load ratings in these loading directions are indicated in the specification table for the corresponding model number.)

● When a Torque Load is Applied

$$L = \left(\frac{f_r \cdot f_c}{f_w} \cdot \frac{C_T}{T_c} \right)^3 \times 50 \quad \dots\dots(7)$$

● When a Radial Load is Applied

$$L = \left(\frac{f_r \cdot f_c}{f_w} \cdot \frac{C}{P_c} \right)^3 \times 50 \quad \dots\dots(8)$$

L : Nominal life (km)

C_T : Basic dynamic torque rating (N·m)

T_c : Calculated torque applied (N·m)

C : Basic dynamic load rating (N)

P_c : Calculated radial load (N)

f_r : Temperature factor
(see Fig.1 on **A3-22**)

f_c : Contact factor
(see Table6 on **A3-22**)

f_w : Load factor (see Table7 on **A3-22**)

● When a Torque Load and a Radial Load are Simultaneously Applied

When a torque load and a radial load are simultaneously applied, calculate the nominal life by obtaining the equivalent radial load using the equation (9) below.

$$P_E = P_c + \frac{4 \cdot T_c \times 10^3}{i \cdot d_p \cdot \cos \alpha} \quad \dots\dots\dots (9)$$

P_E : Equivalent radial load (N)

$\cos \alpha$: Contact angle i =Number of rows of balls under a load

(Type LBS $\alpha=45^\circ$	$i=2$ (LBS10 or smaller)	Type SLS $\alpha=40^\circ$	$i=3$
		$i=3$ (LBS15 or greater)		
)	Type LT $\alpha=70^\circ$	$i=2$ (LT13 or smaller)	Type LT-X $\alpha=65^\circ$	$i=2$
		$i=3$ (LT16 or greater)		

d_p : Ball center-to-center diameter (mm)
(see Table8, Table9 and Table10
on **A3-23**)

● When a Moment Load is Applied to a Single Nut or Two Nuts in Close Contact with Each Other

Obtain the equivalent radial load using the equation (10) below.

$$P_u = K \cdot M \quad \dots\dots\dots (10)$$

P_u : Equivalent radial load (N)
(with a moment applied)

K : Equivalent Factors
(see Table12 on **A3-26**, Table13 on **A3-27**, Table14 and Table15 on **A3-28**)

M : Applied moment (N-mm)

However, M should be within the range of the static permissible moment.

● When a Moment Load and a Radial Load are Simultaneously Applied

Calculated the nominal life from the sum of the radial load and the equivalent radial load.

● Calculating the Service Life Time

When the nominal life (L) has been obtained in the equation above, if the stroke length and the number of reciprocations per minute are constant, the service life time is obtained using the equation (11) below.

$$L_h = \frac{L \times 10^3}{2 \times \ell_s \times n_1 \times 60} \quad \dots\dots\dots (11)$$

L_h : Service life time (h)

ℓ_s : Stroke length (m)

n_1 : Number of reciprocations per minute
(min^{-1})

■f_t: Temperature Factor

If the temperature of the environment surrounding the operating Ball Spline exceeds 100°C, take into account the adverse effect of the high temperature and multiply the basic load ratings by the temperature factor indicated in Fig.1.

In addition, the Ball Spline must be of a high temperature type.

Note) If the environment temperature exceeds 80°C, high-temperature types of seal and retainer are required. ContactTHK for details.

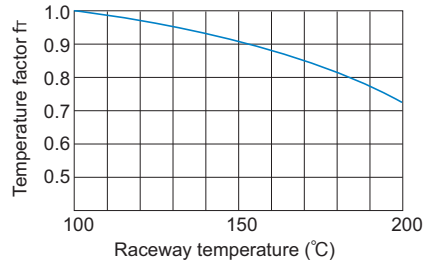


Fig.1 Temperature Factor (f_t)

■f_c: Contact Factor

When multiple spline nuts are used in close contact with each other, their linear motion is affected by moments and mounting accuracy, making it difficult to achieve uniform load distribution. In such applications, multiply the basic load rating (C) and (C₀) by the corresponding contact factor in Table6.

Note) If uneven load distribution is expected in a large machine, take into account the respective contact factor indicated in Table6.

Table6 Contact Factor (f_c)

Number of spline nuts in close contact with each other	Contact factor f _c
2	0.81
3	0.72
4	0.66
5	0.61
Normal use	1

■f_w: Load Factor

In general, reciprocating machines tend to involve vibrations or impact during operation. It is extremely difficult to accurately determine vibrations generated during high-speed operation and impact during frequent start and stop. When loads applied on a Ball Spline cannot be measured, or when speed and impact have a significant influence, divide the basic load rating (C or C₀), by the corresponding load factor in the table of empirically obtained data on Table7.

Table7 Load Factor (f_w)

Vibrations/impact	Speed (V)	f _w
Faint	Very low V ≤ 0.25m/s	1 to 1.2
Weak	Slow 0.25 < V ≤ 1m/s	1.2 to 1.5
Medium	Medium 1 < V ≤ 2m/s	1.5 to 2
Strong	High V > 2m/s	2 to 3.5

[Sectional Shape of the Spline Shaft]

● Spline Shaft for Models SLS, SLS-L and SLF

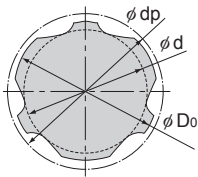


Table8 Sectional Shape

Unit: mm

Nominal shaft diameter	25	30	40	50	60	70	80	100
Minor diameter ϕd	21.6	25.8	35.2	44.4	54.0	62.8	71.3	90.0
Major diameter ϕD_0 h7	25	30	40	50	60	70	80	100
Ball center-to-center diameter ϕdp	25.2	30.2	40.6	50.6	61.0	71.0	80.8	101.2

*The minor diameter ϕd must be a value at which no groove is left after machining.

● Spline Shaft for Models LBS, LBST, LBF, LBR, LBH, LBG and LBGT

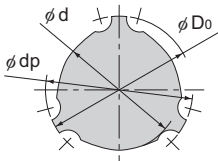


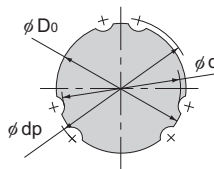
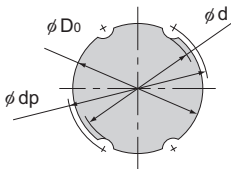
Table9 Sectional Shape

Unit: mm

Nominal shaft diameter	15	20	25	30	40	50	60	70	85	100	120	150
Minor diameter ϕd	11.7	15.3	19.5	22.5	31	39	46.5	54.5	67	81	101	130
Outer diameter ϕD_0	14.5	19.7	24.5	29.6	39.8	49.5	60	70	84	99	117	147
Ball center-to-center diameter ϕdp	15	20	25	30	40	50	60	70	85	100	120	150

*The minor diameter ϕd must be a value at which no groove is left after machining.

● Spline Shaft for Models LT, LF, LTR and LTR-A



Nominal shaft diameter: 13 mm or less

Nominal shaft diameter: 16 mm or more

Table10 Sectional Shape

Unit: mm

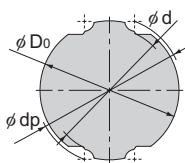
Nominal shaft diameter	4	5	6	8	10	13	16	20	25	30	32	40	50	60	80	100
Minor diameter ϕd	3.5	4.5	5	7	8.5	11.5	14.5	18.5	23	28	30	37.5	46.5	56.5	75.5	95
Outer diameter ϕD_0 h7	4	5	6	8	10	13	16	20	25	30	32	40	50	60	80	100
Outer diameter tolerance	0 -0.012		0 -0.015		0 -0.018		0 -0.021			0 -0.025		0 -0.03		0 -0.035		
Ball center-to-center diameter ϕdp	4.6	5.7	7	9.3	11.5	14.8	17.8	22.1	27.6	33.2	35.2	44.2	55.2	66.3	87.9	109.5

*The minor diameter ϕd must be a value at which no groove is left after machining.

● Spline Shaft for Model LT-X

Table11 Sectional Shape

Unit: mm



Nominal shaft diameter	4	5	6
Minor diameter ϕd	3.6	4.5	5.4
Major diameter ϕD_0	4	5	6
Ball center-to-center diameter ϕdp	4.4	5.5	6.6

[Calculating the Average Load]

When the load applied on the spline shaft fluctuates according to varying conditions, such as an industrial robot arm traveling forward while holding a workpiece and traveling backward with empty weight, and a machine tool handling various workpieces, this varying load condition must be taken into account in service life calculation.

The average load (P_m) is a constant load under which the service life of an operating Ball Spline with its spline nut receiving a fluctuation load in varying conditions is equivalent to the service life under this varying load condition.

The following is the basic equation.

$$P_m = \sqrt[3]{\frac{1}{L} \cdot \sum_{n=1}^n (P_n^3 \cdot L_n)}$$

P_m : Average Load (N)

P_n : Varying load (N)

L : Total travel distance (mm)

L_n : Distance traveled under P_n (mm)

● When the Load Fluctuates Stepwise

$$P_m = \sqrt[3]{\frac{1}{L} (P_1^3 \cdot L_1 + P_2^3 \cdot L_2 + \dots + P_n^3 \cdot L_n)} \dots\dots\dots(12)$$

P_m : Average Load (N)

P_n : Varying load (N)

L : Total travel distance (m)

L_n : Distance traveled under load P_n (m)

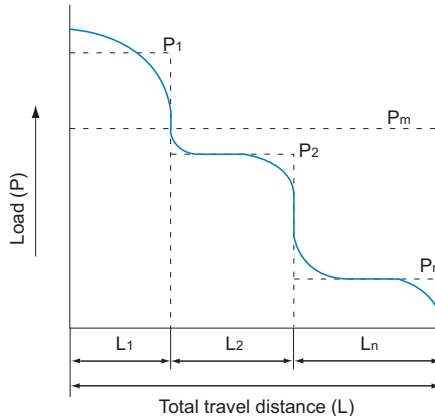


Fig.2

● When the Load Fluctuates Monotonically

$$P_m \doteq \frac{1}{3} (P_{\min} + 2 \cdot P_{\max}) \dots\dots\dots (13)$$

P_{\min} : Minimum load (N)

P_{\max} : Maximum load (N)

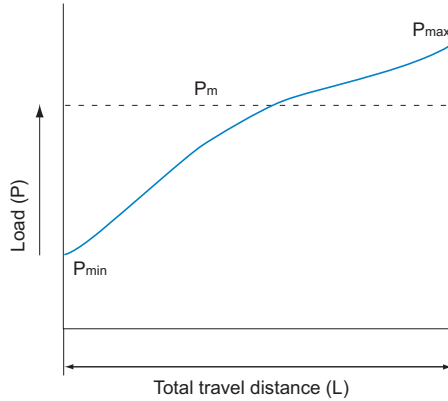


Fig.3

● When the Load Fluctuates Sinusoidally

(a) $P_m \doteq 0.65P_{\max} \dots\dots\dots (14)$

(b) $P_m \doteq 0.75P_{\max} \dots\dots\dots (15)$

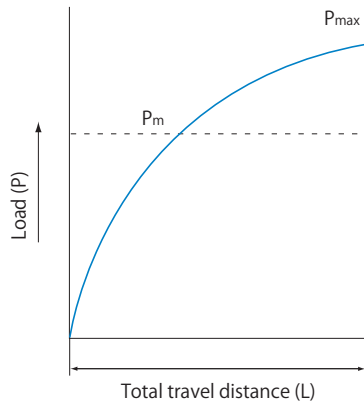
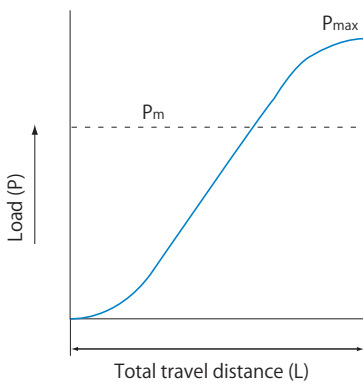


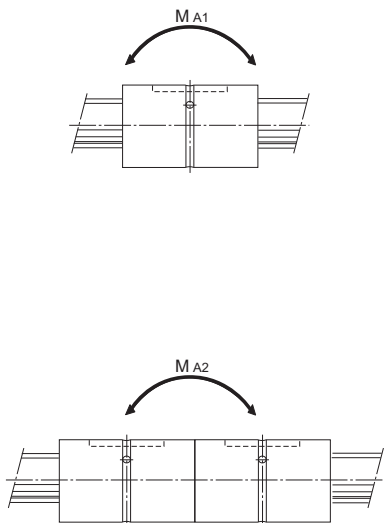
Fig.4

[Equivalent Factor]

Table12 on **A3-26**, Table13 on **A3-27**, Table14 and Table15 on **A3-28** show equivalent radial load factors calculated under a moment load.

● Table of Equivalent Factors for Ball Spline Models SLS/SLF

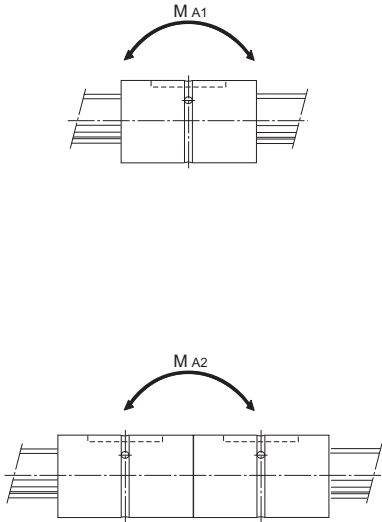
Table12



Model No.	Equivalent factor: K	
	Single spline nut	Two spline nuts in close contact with each other
SLS/SLF 25	0.187	0.030
SLS 25L	0.148	0.027
SLS/SLF 30	0.153	0.027
SLS 30L	0.129	0.024
SLS/SLF 40	0.114	0.021
SLS 40L	0.102	0.019
SLS/SLF 50	0.109	0.018
SLS 50L	0.091	0.017
SLS/SLF 60	0.080	0.015
SLS 60L	0.072	0.014
SLS/SLF 70	0.101	0.016
SLS 70L	0.076	0.014
SLS/SLF 80	0.083	0.013
SLS 80L	0.072	0.012
SLS/SLF 100	0.068	0.011
SLS 100L	0.056	0.010

● Table of Equivalent Factors for Ball Spline Model LBS

Table13



Model No.	Equivalent factor: K	
	Single spline nut	Two spline nuts in close contact with each other
LBS 6	0.61	0.074
LBS 8	0.46	0.060
LBS 10	0.54	0.049
LBS 15	0.22	0.039
LBS 20	0.24	0.03
LBST 20	0.17	0.027
LBS 25	0.19	0.026
LBST 25	0.14	0.023
LBS 30	0.16	0.022
LBST 30	0.12	0.02
LBS 40	0.12	0.017
LBST 40	0.1	0.016
LBS 50	0.11	0.015
LBST 50	0.09	0.014
LBST 60	0.08	0.013
LBS 70	0.1	0.013
LBST 70	0.08	0.012
LBS 85	0.08	0.011
LBST 85	0.07	0.01
LBS 100	0.08	0.009
LBST 100	0.06	0.009
LBST 120	0.05	0.008
LBST 150	0.045	0.006

Note1) Values of equivalent factor K for model LBF are the same as that for model LBS.

Note2) Values of equivalent factor K for models LBR, LBG, LBGT and LBH are the same as that for model LBST.

However the values of model LBF60 are the same as that for model LBST60.

The values of model LBH15 are the same as that for model LBS15.

● Table of Equivalent Factors for Ball Spline Model LT

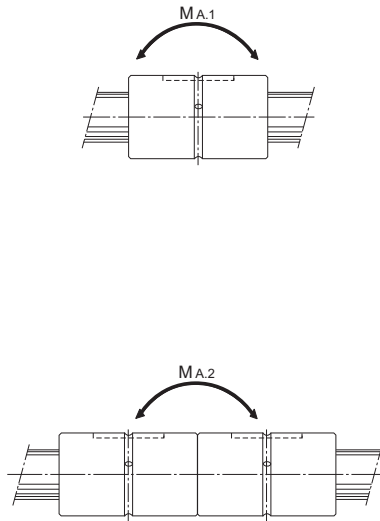


Table14

Model No.	Equivalent factor: K	
	Single spline nut	Two spline nuts in close contact with each other
LT 4	0.65	0.096
LT 5	0.55	0.076
LT 6	0.47	0.06
LT 8	0.47	0.058
LT 10	0.31	0.045
LT 13	0.3	0.042
LT 16	0.19	0.032
LT 20	0.16	0.026
LT 25	0.13	0.023
LT 30	0.12	0.02
LT 40	0.088	0.016
LT 50	0.071	0.013
LT 60	0.07	0.011
LT 80	0.062	0.009
LT100	0.057	0.008

Note) Values of equivalent factor K for models LF, LTR and LTR-A are the same as that for model LT. However, the equivalent factor for model LTR32 is the same as that for model LT30.

● Table of Equivalent Factors for Ball Spline Model LT-X

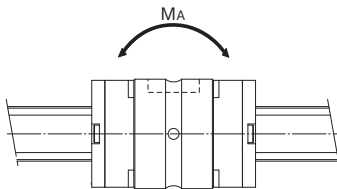


Table15

Model No.	Equivalent factor: K	
	Single spline nut	Two spline nuts in close contact with each other
LT 4X	0.830	0.104
LT 5X	0.818	0.097
LT 5XL	0.359	0.063
LT 6X	0.553	0.081
LT 6XL	0.299	0.055

Note) The values shown are those for models equipped with seals.

Selecting a Preload

A preload on the Ball Spline significantly affects its accuracy, load resistance and rigidity. Therefore, it is necessary to select the most appropriate clearance according to the intended use.

Specific clearance values are standardized for each model, allowing you to select a clearance that meets the conditions.

Clearance in the Rotation Direction

With the Ball Spline, the sum of clearances in the circumferential direction is standardized as the clearance in the rotational direction. For models LBS and LT, which are especially suitable for transmission of rotational torque, clearances in the rotational directions are defined.

Clearance in the rotational direction (BCD)

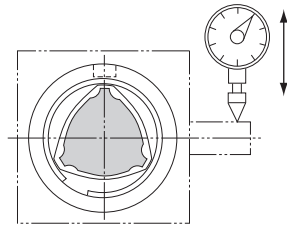
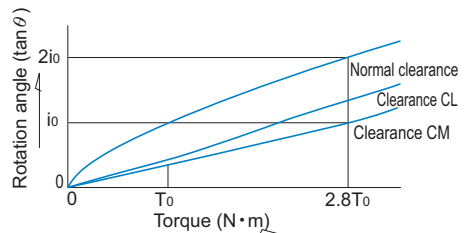


Fig.5 Measurement of Clearance in the Rotational Direction

Preload and Rigidity

Preload is defined as the load preliminarily applied to the ball in order to eliminate angular backlash (clearance in the rotational direction) and increase rigidity. When given a preload, the Ball Spline is capable of increasing its rigidity by eliminating the angular backlash according to the magnitude of the preload. Fig.6 shows the displacement in the rotational direction when a rotational torque is applied.

Thus, the effect of a preload can be obtained up to 2.8 times that of the applied preload. When given the same rotational torque, the displacement when a preload is applied is 0.5 or less of that without a preload. The rigidity with a preload is at least twice greater than that without a preload.



T_0 : Applied preload

Fig.6

Conditions and Guidelines for Selecting of a Preload

Table16 provides guidelines for selecting a clearance in the rotational direction with given conditions of the Ball Spline.

The rotational clearance of the Ball Spline significantly affects the accuracy and rigidity of the spline nut. Therefore, it is essential to select a correct clearance according to the intended use. Generally, the Ball Spline is provided with a preload. When it is used in repeated circular motion or reciprocating straight motion, the Ball Spline is subject to a large vibration impact, and therefore, its service life and accuracy are significantly increased with a preload.

Table16 Guidelines for Selecting a Clearance in the Rotational Direction for the Ball Spline

Clearance in the rotation direction	Condition	Examples of applications
Normal grade (No symbol)	<ul style="list-style-type: none"> Smooth motion with a small force is desired. A torque is always applied in the same direction. 	<ul style="list-style-type: none"> Measuring instruments Automatic drafting machine Geometrical measuring equipment Dynamometer Wire winder Automatic welding machine Main shaft of honing machine Automatic packing machine
Light preload (CL)	<ul style="list-style-type: none"> An overhang load or moment load is present. High positioning repeatability is required. Alternating load is applied. 	<ul style="list-style-type: none"> Industrial robot arm Automatic loaders Guide shaft of automatic coating machine Main shaft of electric discharge machine Guide shaft for press die setting Main shaft of drilling machine
Medium preload (CM)	<ul style="list-style-type: none"> High rigidity is required and vibrations and impact are applied. Receives a moment load with a single spline nut. 	<ul style="list-style-type: none"> Steering shaft of construction vehicle Shaft of spot-welding machine Indexing shaft of automatic lathe tool rest

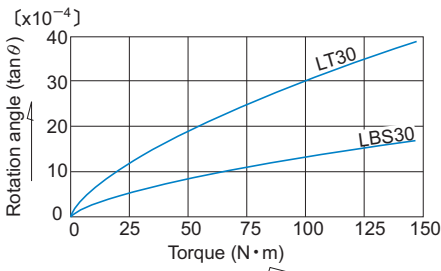


Fig.7 Comparison between LBS and LT for Zero Clearance

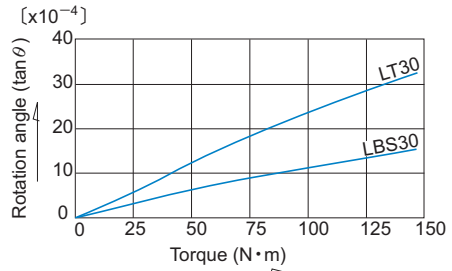


Fig.8 Comparison between LBS and LT for Clearance CL

Table17 Clearance in the Rotational Direction for Models SLS, SLS-L and SLF

Unit:μm

Symbol	Normal	Light preload	Medium preload
Nominal shaft diameter	No Symbol	CL	CM
25 30 40	+1 to -2	-2 to -6	-6 to -10
50 60	+2 to -4	-4 to -8	-8 to -12
70 80 100	+4 to -8	-8 to -12	-12 to -20

Point of Selection

Selecting a Preload

Table18 Clearance in the Rotational Direction for Models LBS, LBF, LBST, LBR and LBH

Unit: μm

Symbol	Normal	Light preload	Medium preload
Nominal shaft diameter	No Symbol	CL	CM
6 8	-2 to +1	-6 to -2	—
10 15	-3 to +2	-9 to -3	-15 to -9
20 25 30	-4 to +2	-12 to -4	-20 to -12
40 50 60	-6 to +3	-18 to -6	-30 to -18
70 85	-8 to +4	-24 to -8	-40 to -24
100 120	-10 to +5	-30 to -10	-50 to -30
150	-15 to +7	-40 to -15	-70 to -40

Table19 Clearance in the Rotational Direction for Models LT and LF

Unit: μm

Symbol	Normal	Light preload	Medium preload
Nominal shaft diameter	No Symbol	CL	CM
4 5 6 8 10 13	-2 to +1	-6 to -2	—
16 20	-2 to +1	-6 to -2	-9 to -5
25 30	-3 to +2	-10 to -4	-14 to -8
40 50	-4 to +2	-16 to -8	-22 to -14
60 80	-5 to +2	-22 to -12	-30 to -20
100	-6 to +3	-26 to -14	-36 to -24

Table20 Clearance in the Rotational Direction for Model LT-X

Unit: μm

Symbol	Normal	Light preload	Medium preload
Nominal shaft diameter	No Symbol	CL	CM
4	-2 to +1	-6 to -2	—
5	-2 to +1	-6 to -2	—
6	-2 to +1	-6 to -2	—

Table21 Clearance in the Rotational Direction for Models LBG and LBGT

Unit: μm

Symbol	Normal	Light preload	Medium preload
Nominal shaft diameter	No Symbol	CL	CM
20 25 30	-4 to +2	-12 to -4	-20 to -12
40 50 60	-6 to +3	-18 to -6	-30 to -18
70 85	-8 to +4	-24 to -8	-40 to -24

Table22 Clearance in the Rotational Direction for Model LTR

Unit: μm

Symbol	Normal	Light preload	Medium preload
Nominal shaft diameter	No Symbol	CL	CM
8 10	-2 to +1	-6 to -2	—
16 20	-2 to +1	-6 to -2	-9 to -5
25 32	-3 to +2	-10 to -4	-14 to -8
40 50	-4 to +2	-16 to -8	-22 to -14
60	-5 to +2	-22 to -12	-30 to -20

Determining the Accuracy

Accuracy Grades

The accuracy of the Ball Spline is classified into three grades: normal grade (no symbol), high accuracy grade (H) and precision grade (P), according to the runout of spline nut circumference in relation to the support of the spline shaft. Fig.9 shows measurement items.

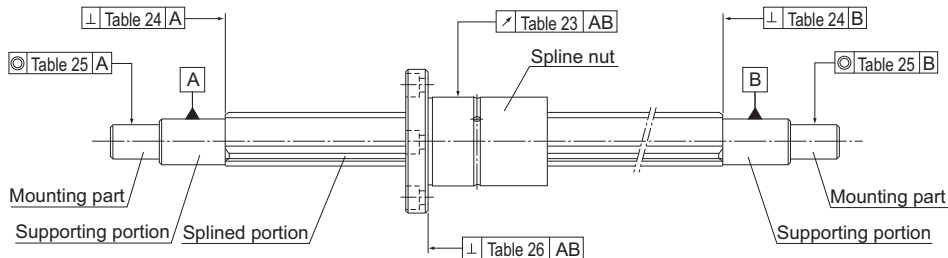


Fig.9 Accuracy Measurement Items of the Ball Spline

Accuracy Standards

Table23 to Table26 show measurement items of the Ball Spline.

Table23 Runout of the Spline Nut Circumference in Relation to the Support of the Spline Shaft

Unit: μm

Accuracy		Runout(max)																							
Nominal shaft diameter		4 to 8 ^{Note}			10			13 to 20			25 to 32			40, 50			60 to 80			85 to 120			150		
Overall spline shaft length (mm)																									
Above	Or less	Normal	High	Precision	Normal	High	Precision	Normal	High	Precision	Normal	High	Precision	Normal	High	Precision	Normal	High	Precision	Normal	High	Precision	Normal	High	Precision
—	200	72	46	26	59	36	20	56	34	18	53	32	18	53	32	16	51	30	16	51	30	16	—	—	—
200	315	133	(89)	—	83	54	32	71	45	25	58	39	21	58	36	19	55	34	17	53	32	17	—	—	—
315	400	—	—	—	103	68	—	83	53	31	70	44	25	63	39	21	58	36	19	55	34	17	—	—	—
400	500	—	—	—	123	—	—	95	62	38	78	50	29	68	43	24	61	38	21	57	35	19	46	36	19
500	630	—	—	—	—	—	—	112	—	—	88	57	34	74	47	27	65	41	23	60	37	20	49	39	21
630	800	—	—	—	—	—	—	—	—	—	103	68	42	84	54	32	71	45	26	64	40	22	53	43	24
800	1000	—	—	—	—	—	—	—	—	—	124	83	—	97	63	38	79	51	30	69	43	24	58	48	27
1000	1250	—	—	—	—	—	—	—	—	—	—	—	—	114	76	47	90	59	35	76	48	28	63	55	32
1250	1600	—	—	—	—	—	—	—	—	—	—	—	—	139	93	—	106	70	43	86	55	33	80	65	40
1600	2000	—	—	—	—	—	—	—	—	—	—	—	—	—	—	—	128	86	54	99	65	40	100	80	50
2000	2500	—	—	—	—	—	—	—	—	—	—	—	—	—	—	—	156	—	—	117	78	49	125	100	68
2500	3000	—	—	—	—	—	—	—	—	—	—	—	—	—	—	—	—	—	—	143	96	61	150	129	84

Note) Dimensions in parentheses do not apply to nominal shaft diameter of 4.

Note) Applicable to models LBS, LBST, LBF, LBR, LT and LF.

Table24 Perpendicularity of the Spline Shaft End Face in Relation to the Support of the Spline Shaft Unit: μm

Accuracy	Perpendicularity (max)		
	Nominal shaft diameter	Normal grade (No symbol)	High accuracy grade (H)
4 5 6 8 10	22	9	6
13 15 16 20	27	11	8
25 30 32	33	13	9
40 50	39	16	11
60 70 80	46	19	13
85 100 120	54	22	15
150	63	25	18

Table25 Concentricity of the Part-mounting in Relation to the Support of the Spline Shaft Unit: μm

Accuracy	Concentricity (max)		
	Nominal shaft diameter	Normal grade (No symbol)	High accuracy grade (H)
4 5 6 8	33	14	8
10	41	17	10
13 15 16 20	46	19	12
25 30 32	53	22	13
40 50	62	25	15
60 70 80	73	29	17
85 100 120	86	34	20
150	100	40	23

Table26 Straightness of the Flange-mounting Surface of the Spline Nut in Relation to the Support of the Spline Shaft Unit: μm

Accuracy	Perpendicularity (max)		
	Nominal shaft diameter	Normal grade (No symbol)	High accuracy grade (H)
6 8	27	11	8
10 13	33	13	9
15 16 20 25 30	39	16	11
40 50	46	19	13
60 70 80 85	54	22	15
100	63	25	18

Note) This table does not apply to models LBG, LBGT, LTR and LTR-A.

Point of Selection
Determining the Accuracy

High Torque Caged Ball Spline



Models SLS, SLS-L and SLF

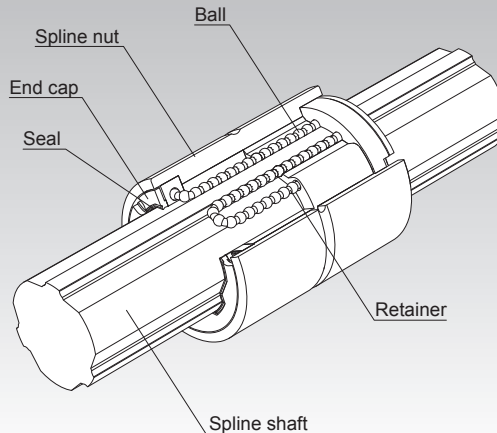


Fig.1 Structure of High Torque Caged Ball Spline

Point of Selection	A3-6
Point of Design	A3-111
Options	A3-113
Model No.	A3-115
Precautions on Use	A3-116
Accessories for Lubrication	A24-1
Mounting Procedure and Maintenance	B3-30
Cross-sectional Characteristics of the Spline Shaft	A3-17
Equivalent factor	A3-26
Clearance in the Rotation Direction	A3-29
Accuracy Standards	A3-33
Maximum Manufacturing Length by Accuracy	A3-109

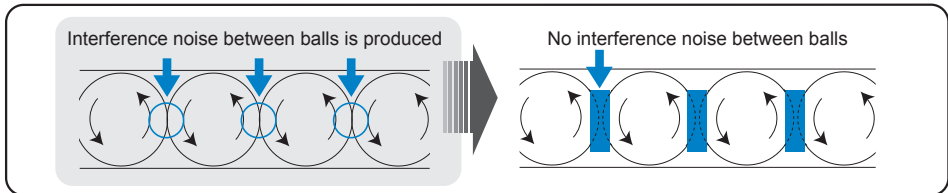
Structure and Features

The caged-ball technology, developed by bringing together THK's technologies and know-how, is now integrated in the new Ball Spline.

The integration of the ball cage enables the circulating motion of evenly spaced balls and high-speed response to be achieved.

It eliminates collision and mutual friction between balls, and realizes low noise, pleasant running sound and low particle generation. As the grease retention is increased, long-term maintenance-free operation is also achieved.

The high-torque design provides the nut with excellent torsional rigidity. The spline shaft also has enhanced rigidity, thanks to its rounded design.



[High-speed Response]

Models SLS/SLF adopt the caged-ball technology to enable the circulating motion of evenly spaced balls to be maintained and high-speed response to be achieved, the cycle time of the machine can be improved.

[Conditions]

Model tested	SLS50
Testing environment	22 to 27.5°C
Stroke	1000mm
Maximum speed	200m/min
Acceleration/deceleration	5G(49m/s ²)
Applied load	Light preload(CL)
Lubricant	THK AFB-LF Grease

Appearance of the test machine
(high-speed durability test)



Appearance of the specimen



[Test results]

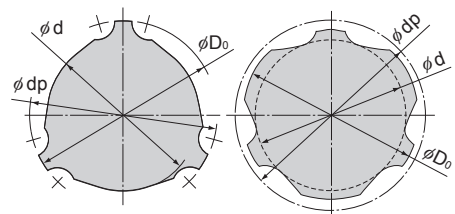
No anomaly after travelling 10,000 km

[Improvement on the spline shaft's rigidity]

Redesigning the shape of the conventional high torque type spline shaft to be more circular significantly improves its torsion and flexural rigidity.

Unit: mm

Nominal shaft diameter 25	LBS	SLS
Minor diameter ϕd	19.5	21.6
Major diameter ϕD_0	24.5	25.0
Ball center-to-center diameter ϕdp	25	25.2



Model LBS

Model SLS

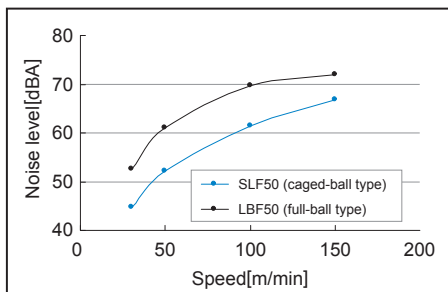
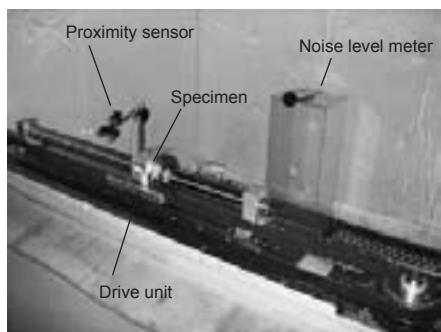
[Low Noise, Pleasant Running Sound and Low Particle Generation]

Models SLS/SLF adopt the caged-ball technology, they eliminate collision and mutual friction between balls, and realize low noise, pleasant running sound and low particle generation.

[Conditions]

Model tested	SLF50/LBF50
Stroke	600mm
Speeds	30,50,100,150m/min
Measuring instrument	Noise level meter

Overview of the test machine

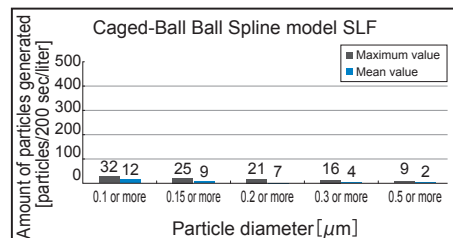
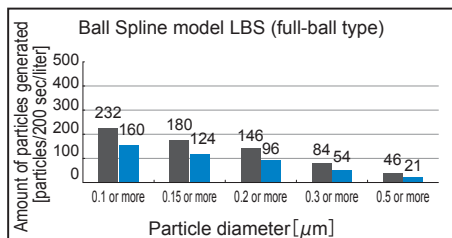
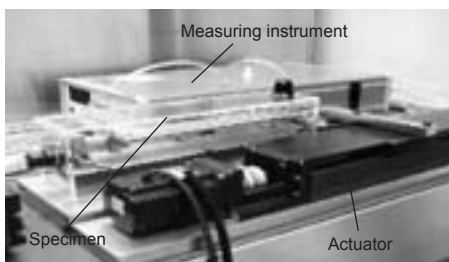


Noise level comparison

[Conditions]

Model tested	SLF50CL+350LP/ LBS50CL+350LP
Maximum speed	30m/min
Acceleration	2.84m/s ²
Stroke	200mm
Amount of air supplied	1l/200sec
Lubricant	THK AFE-CA Grease
Equipment using the product	Particle counter

Appearance of the test machine



Data on Comparison of Dust Generation

[Long-term Maintenance-free Operation]

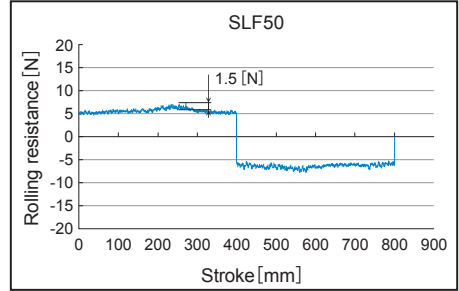
Models SLS/SLF adopt the caged-ball technology to substantially increase the grease retention, thus achieving long-term maintenance-free operation.

[Smooth Motion (Small Rolling Fluctuation)]

Models SLS/SLF adopt the caged-ball technology and a new circulation method, thus achieving stable and smooth motion with small rolling fluctuation.

[Conditions]

Model tested	SLF50
Speed	10mm/sec
Applied load	Medium preload(CM)
Lubricant	THK AFB-LF Grease



Rolling resistance test

Types and Features

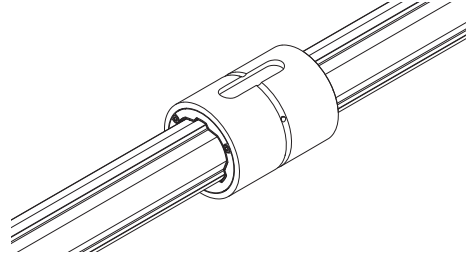
[Types of Spline Nuts]

Cylindrical Type Ball Spline Model SLS (Medium Load Type)

Specification Table⇒ **A3-42**

The circumference of the spline nut is shaped in a straight cylinder.

Using a key, this model can be secured to the housing, or transmit a torque.

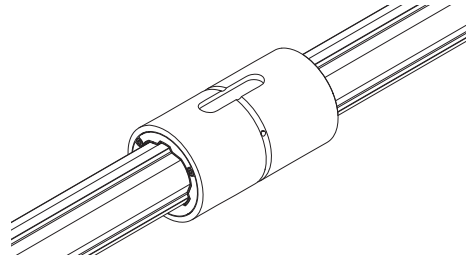


Cylindrical Type Ball Spline Model SLS-L (Heavy Load Type)

Specification Table⇒ **A3-42**

A heavy-load type with the same outer diameter as model SLS and a longer spline nut.

It is optimal in cases where a large torque is applied in a small space, and in cases where an overhang load or moment is applied.

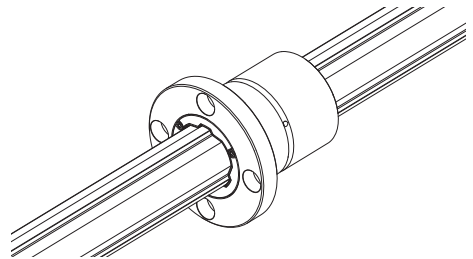


Flanged Type Ball Spline Model SLF

Specification Table⇒ **A3-44**

The housing can be secured with bolts on models equipped with a flange.

This model is easily assembled and can accommodate a shorter housing compared to models with housing secured by a key.



[Types of Spline Shafts]

Precision Solid Spline Shaft (Standard Type)

The spline shaft is cold-drawn and its raceway is precision ground. It is used in combination with a spline nut.



Special Spline Shaft

THK manufactures a spline shaft with thicker ends or thicker middle area through special processing at your request.



Hollow Spline Shaft (Type K)

A drawn, hollow spline shaft is available for requirements such as piping, wiring, air-vent and weight reduction.



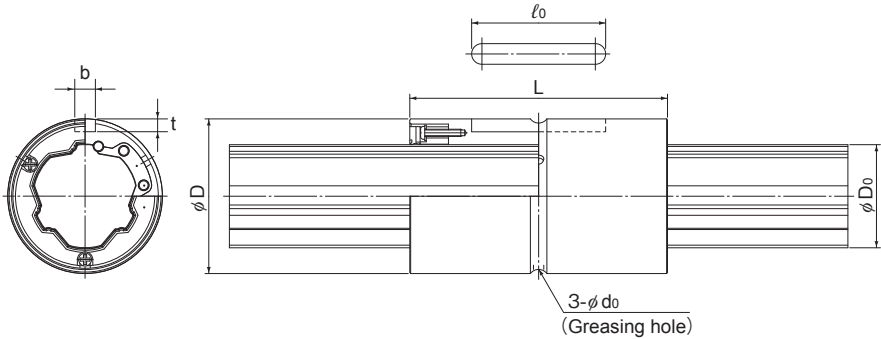
Housing Inner-diameter Tolerance

When fitting the spline nut to the housing, transition fit is normally recommended. If the accuracy of the Ball Spline does not need to be very high, clearance fitting is also acceptable.

Table1 Housing Inner-diameter Tolerance

Housing Inner-diameter Tolerance	General conditions	H7
	When clearance needs to be small	J6

Model SLS



Model No.	Spline nut dimensions							
	Outer diameter		Length		Keyway dimensions			Greasing hole
	D	Tolerance	L	Tolerance	b H8	t +0.1 0	ℓ_0	d_0
SLS25	37	0	60	0 -0.3	5	3	33	2
SLS25L			70					
SLS30	45	-0.016	70		7	4	41	3
SLS30L			80					
SLS40	60	0	90		10	4.5	55	3
SLS40L			100					
SLS50	75	-0.019	100		15	5	60	4
SLS50L			112					
SLS60	90	0	127		18	6	68	4
SLS60L			140					
SLS70	100	-0.022	110	18	6	68	4	
SLS70L			135					
SLS80	120	0	140	20	7	80	5	
SLS80L			155					
SLS100	140	0	160	28	9	93	5	
SLS100L			185					

Model number coding

2 SLS50 UU CL +700L P K

Model No.

Symbol for clearance
in the rotational direction
(*2)

Symbol for standard hollow spline shaft (*4)
Accuracy symbol (*3)

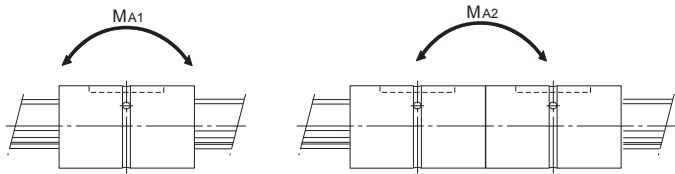
Contamination protection
accessory symbol (*1)

Overall spline shaft length (*5)
(in mm)

Number of spline nuts on one shaft (no symbol for one nut)

(*1) See **A3-113**. (*2) See **A3-29**. (*3) See **A3-33**. (*4) See **A3-46**. (*5) See **A3-109**.

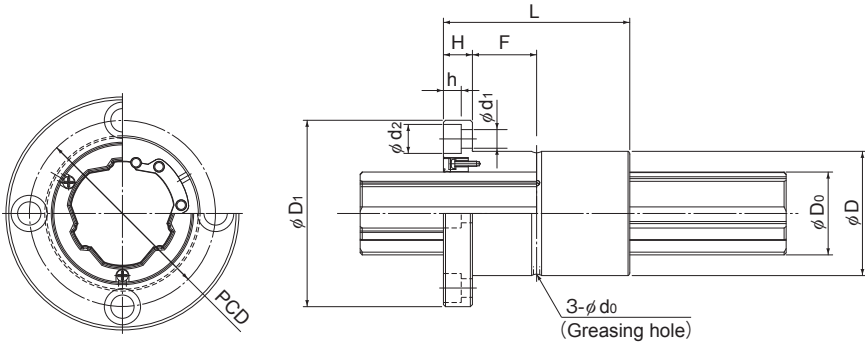
High Torque Caged Ball Spline



Unit: mm

	Basic torque rating		Basic load rating		Static permissible moment		Mass	
	C _T N-m	C _{0T} N-m	C kN	C ₀ kN	M _{A1} N-m	M _{A2} N-m	Spline Nut kg	Spline shaft kg/m
	219.9	306.8	18.2	22.5	136	851	0.15	3.51
	261.9	394.5	21.7	29.0	220	1203	0.18	
	366.5	513.3	25.4	31.5	233	1341	0.30	5.05
	416.4	616.0	28.9	37.8	330	1803	0.34	
	818.9	1135.4	42.8	52.5	520	2801	0.69	9.18
	890.0	1277.3	46.5	59.1	652	3529	0.79	
	1373.4	1783.1	57.6	66.2	687	4156	1.30	14.45
	1571.2	2165.2	65.9	80.4	996	5349	1.47	
	2506.7	3321.0	87.8	103.0	1452	7733	2.25	21.23
	2723.2	3736.2	95.3	115.8	1820	9570	2.50	
	2986.3	3474.7	89.7	92.5	1038	6392	2.13	28.57
	3708.4	4738.2	111.4	126.1	1867	10135	2.71	
	4664.6	5477.4	122.8	127.7	1739	11482	4.22	37.49
	5195.3	6390.4	136.8	148.9	2327	14491	4.77	
	8922.3	10211.6	188.2	190.7	3155	19118	5.20	58.97
	10424.4	12764.6	219.8	238.4	4816	26463	6.22	

Model SLF



Model No.	Spline nut dimensions										
	Outer diameter		Length		Flange diameter		H	F	Greasing hole d_o	PCD	
	D	Tolerance	L	Tolerance	D_1	Tolerance					
SLF25	37	0 -0.016	60	0 -0.3	60	0 -0.2	9	21	2	47	
SLF30	45		70		70		10	25	3	54	
SLF40	60	90	90		14		31	3	72		
SLF50	75	0 -0.019	100		0 -0.3	113	0 -0.3	16	34	4	91
SLF60	90		127			129		18	45.5	4	107
SLF70	100	110	142			20		47.5	4	117	
SLF80	120	0 -0.022	140			0 -0.4		168	22	48	5
SLF100	140		160	195	0 -0.4			25	55	5	162

Model number coding

2 SLF50 UU CL +700L P K

Model No.

Symbol for clearance
in the rotational direction
(*2)

Symbol for standard hollow spline shaft (*4)

Accuracy symbol (*3)

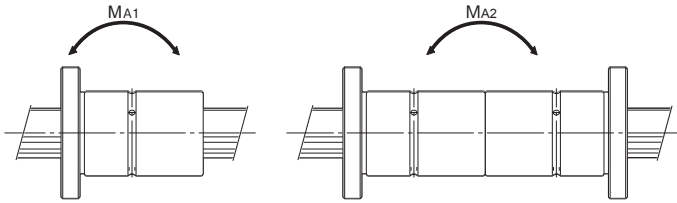
Contamination protection
accessory symbol (*1)

Overall spline shaft length (*5)
(in mm)

Number of spline nuts on one shaft (no symbol for one nut)

(*1) See **A3-113**. (*2) See **A3-29**. (*3) See **A3-33**. (*4) See **A3-46**. (*5) See **A3-109**.

High Torque Caged Ball Spline



Unit: mm

	Mounting hole $d_1 \times d_2 \times h$	Basic torque rating		Basic load rating		Static permissible moment		Mass	
		C_T N-m	C_{OT} N-m	C kN	C_0 kN	M_{A1} N-m	M_{A2} N-m	Spline Nut kg	Spline shaft kg/m
	5.5×9.5×5.4	219.9	306.8	18.2	22.5	136	851	0.26	3.51
	6.6×11×6.5	366.5	513.3	25.4	31.5	233	1341	0.45	5.05
	9×14×8.6	818.9	1135.4	42.8	52.5	520	2801	1.06	9.18
	11×17.5×11	1373.4	1783.1	57.6	66.2	687	4156	1.90	14.45
	11×17.5×11	2506.7	3321.0	87.8	103.0	1452	7733	3.08	21.23
	14×20×13	2986.3	3474.7	89.7	92.5	1038	6392	3.25	28.57
	16×23×15.2	4664.6	5477.4	122.8	127.7	1739	11482	5.82	37.49
	18×26×17.5	8922.3	10211.6	188.2	190.7	3155	19118	7.66	58.97

Spline Shaft

Spline shafts are divided in shape into precision solid spline shaft, special spline shaft and hollow spline shaft (type K), as described on **A3-41**.

Since production of a spline shaft with a specific shape is performed at your request, provide a drawing of the desired shaft shape when asking an estimate or placing an order.

[Sectional Shape of the Spline Shaft]

Table2 shows the sectional shape of a spline shaft. If the spline shaft ends need to be cylindrical, the minor diameter (ϕd) value should not be exceeded if possible.

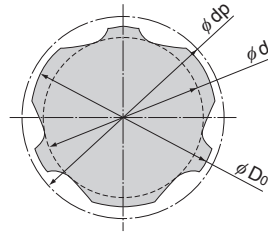


Table2 Sectional Shape of the Spline Shaft

Unit: mm

Nominal shaft diameter	25	30	40	50	60	70	80	100
Minor diameter ϕd	21.6	25.8	35.2	44.4	54.0	62.8	71.3	90.0
Major diameter ϕD_0 h7	25.0	30.0	40.0	50.0	60.0	60.0	80.0	100.0
Ball center-to-center diameter ϕdp	25.2	30.2	40.6	50.6	61.0	71.0	80.8	101.2
Mass(kg/m)	3.51	5.05	9.18	14.45	21.23	28.57	37.49	58.97

*The minor diameter ϕd must be a value at which no groove is left after machining.

[Hole Shape of the Standard Hollow Type Spline Shaft]

Table3 shows the hole shape of the standard hollow type spline shaft. Use this table when a requirement such as piping, wiring, air-vent or weight reduction needs to be met.

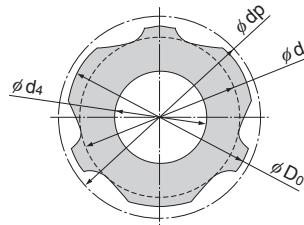


Table3 Sectional Shape of the Standard Hollow Type Spline Shaft

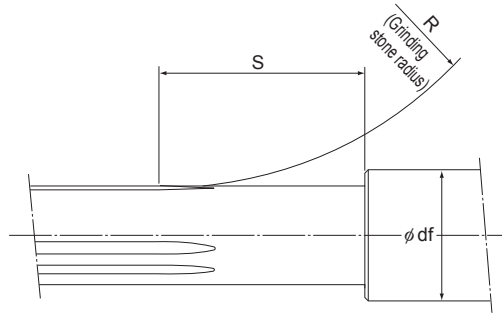
Unit: mm

Nominal shaft diameter	25	30	40	50	60	70	80	100
Minor diameter ϕd	21.6	25.8	35.2	44.4	54.0	62.8	71.3	90.0
Major diameter ϕD_0 h7	25.0	30.0	40.0	50.0	60.0	60.0	80.0	100.0
Ball center-to-center diameter ϕdp	25.2	30.2	40.6	50.6	61.0	71.0	80.8	101.2
Hole diameter(ϕd_4)	12	16	22	25	32	—	52.5	67.5
Mass(kg/m)	2.62	3.47	6.19	10.59	14.90	—	20.48	30.85

*The minor diameter ϕd must be a value at which no groove is left after machining.

[Length of Imperfect Area of a Special Spline Shaft]

If the middle area or the end of a spline shaft is to be thicker than the minor diameter (ϕd), an imperfect spline area is required to secure a recess for grinding. For the relationship between the length of the incomplete section (S) and the flange diameter (ϕdf), contact THK.



Accessories

Ball Spline models SLS and SLS-L are provided with a standard key as indicated in Table4.

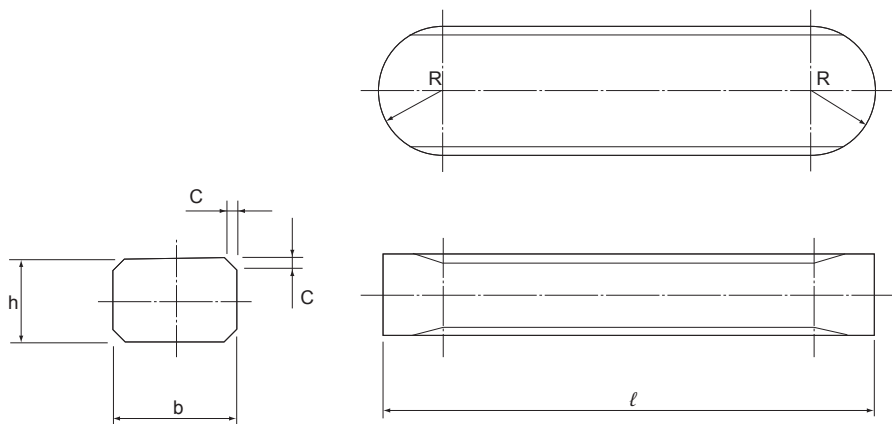


Table4 Standard Keys for Models SLS and SLS-L

Unit: mm

Nominal shaft diameter	Width b		Height h		Length ℓ		R	C
		Tolerance(p7)		Tolerance(h9)		Tolerance(h12)		
SLS 25 SLS 25L	5	+0.024 +0.012	5	0 -0.030	33	0 -0.250	2.5	0.5
SLS 30 SLS 30L	7	+0.030 +0.015	7	0 -0.036	41	0 -0.300	3.5	
SLS 40 SLS 40L	10		8		55		5	0.8
SLS 50 SLS 50L	15	+0.036 +0.018	10	0 -0.043	60	7.5	1.2	
SLS 60 SLS 60L	18		12		68	9		
SLS 70 SLS 70L		20	+0.043 +0.022	13	80	0 -0.350	14	
SLS 80 SLS 80L	18			93	0 -0.400			
SLS 100 SLS 100L	28							

High Torque Type Ball Spline

Models LBS, LBST, LBF, LBR and LBH

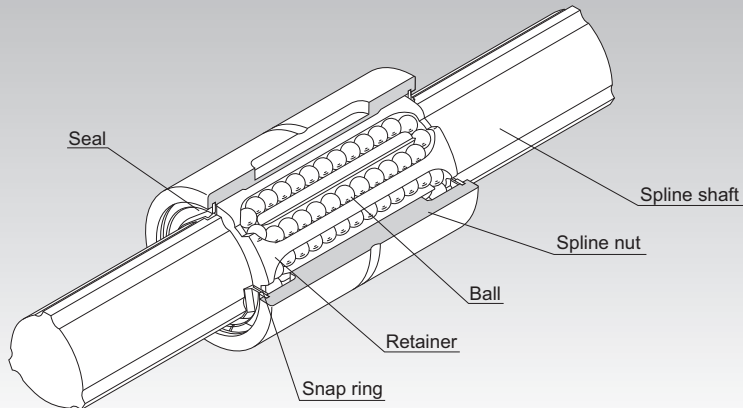


Fig.1 Structure of High Torque Type Ball Spline Model LBS

Point of Selection	A3-6
Point of Design	A3-111
Options	A3-113
Model No.	A3-115
Precautions on Use	A3-116
Accessories for Lubrication	A24-1
Mounting Procedure and Maintenance	B3-30
Cross-sectional Characteristics of the Spline Shaft	A3-17
Equivalent factor	A3-26
Clearance in the Rotation Direction	A3-29
Accuracy Standards	A3-33
Maximum Manufacturing Length by Accuracy	A3-109

Structure and Features

With the high torque type Ball Spline, the spline shaft has three crests positioned equidistantly at 120° , and along both sides of each crest, two rows of balls (six rows in total) are arranged so as to hold the crest, as shown in Fig.1.

The raceways are precision ground into R-shaped grooves whose diameters are approximate to the ball diameter. When a torque is generated from the spline shaft or the spline nut, the three rows of balls on the load-bearing side evenly receive the torque, and the center of rotation is automatically determined. When the rotation reverses, the remaining three rows of balls on the unloaded side receive the torque.

The rows of balls are held in a retainer incorporated in the spline nut so that they smoothly roll and circulate. With this design, balls will not fall even if the spline shaft is removed from the nut.

[No Angular Backlash]

With the high torque type Ball Spline, a single spline nut provides a preload to eliminate angular backlash and increase the rigidity.

Unlike conventional ball splines with circular-arc groove or Gothic-arch groove, the high torque type Ball Spline eliminates the need for twisting two spline nuts to provide a preload, thus allowing compact design to be achieved easily.

[High Rigidity and Accurate Positioning]

Since this model has a large contact angle and provides a preload from a single spline nut, the initial displacement is minimal and high rigidity and high positioning accuracy are achieved.

[High-speed Motion, High-speed Rotation]

Adoption of a structure with high grease retention and a rigid retainer enables the ball spline to operate over a long period with grease lubrication even in high-speed straight motion. Since the distance in the radius direction is almost uniform between the loaded balls and the unloaded balls, the balls are little affected by the centrifugal force and smooth straight motion is achieved even during high-speed rotation.

[Compact Design]

Unlike conventional ball splines, unloaded balls do not circulate on the outer surface of the spline nut with this model. As a result, the outer diameter of the spline nut is reduced and a space-saving and compact design is achieved.

[Ball Retaining Type]

Use of a retainer prevents the balls from falling even if the spline shaft is pulled out of the spline nut.

[Can be Used as a Linear Bushing for Heavy Loads]

Since the raceways are machined into R grooves whose diameter is almost equal to the ball diameter, the contact area of the ball is large and the load capacity is large also in the radial direction.

[Double, Parallel Shafts can be Replaced with a Single Shaft]

Since a single shaft is capable of receiving a load in the torque direction and the radial direction, double shafts in parallel configuration can be replaced with a single-shaft configuration. This allows easy installation and achieves space-saving design.

Applications

The high torque type Ball Spline is a reliable straight motion system used in a wide array of applications such as the columns and arms of industrial robot, automatic loader, transfer machine, automatic conveyance system, tire forming machine, spindle of spot welding machine, guide shaft of high-speed automatic coating machine, riveting machine, wire winder, work head of electric discharge machine, spindle drive shaft of grinding machine, speed gears and precision indexing shaft.

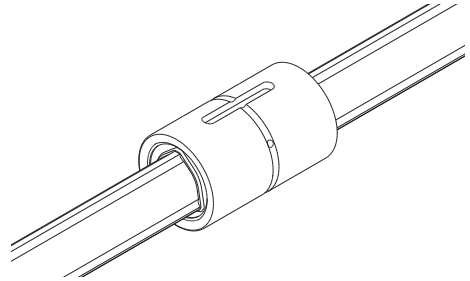
Types and Features

[Types of Spline Nuts]

Cylindrical Type Ball Spline Model LBS (Medium Load Type)

Specification Table⇒ **A** 3-56

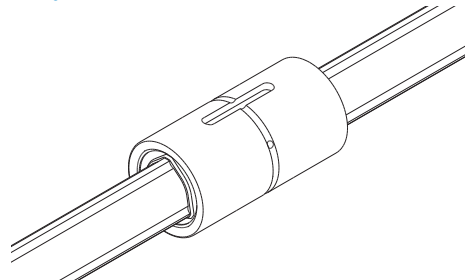
The most compact type with a straight cylindrical spline nut. When transmitting a torque, a key is driven into the body. The outer surface of the spline nut is provided with anti-carbonation treatment.



Cylindrical Type Ball Spline Model LBST (Heavy Load Type)

Specification Table⇒ **A** 3-60

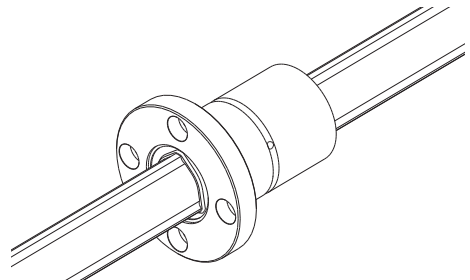
A heavy load type that has the same spline nut diameter as model LBS, but has a longer spline nut length. It is optimal for locations where the space is small, a large torque is applied, and an overhang load or moment load is applied.



Flanged Type Ball Spline Model LBF

Specification Table⇒ **A** 3-62

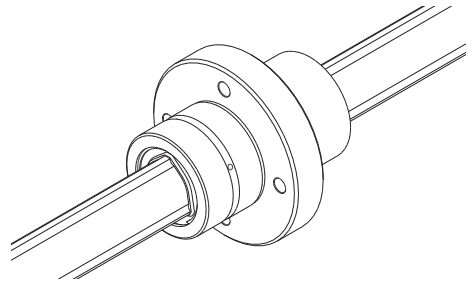
The spline nut can be attached to the housing via the flange, making assembly simple. It is optimal for locations where the housing may be deformed if a keyway is machined on its surface, and where the housing width is small.



Flanged Type Ball Spline Model LBR

Specification Table⇒**A3-64**

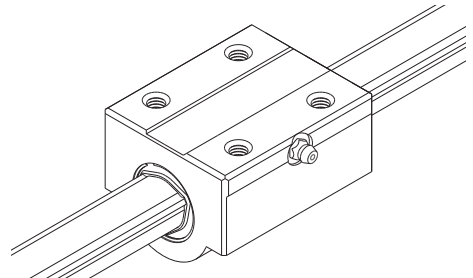
Based on the heavy load type model LBST, this model has a flange in the central area, making itself optimal for locations under a moment load such as arms of industrial robots.



Rectangular Type Ball Spline Model LBH

Specification Table⇒**A3-66**

Its rigid rectangular spline nut does not require a housing and can be directly mounted on the machine body. Thus, a compact, highly rigid linear guide system is achieved.



[Types of Spline Shafts]

Precision Solid Spline Shaft (Standard Type)

The spline shaft is cold-drawn and its raceway is precision ground. It is used in combination with a spline nut.



Special Spline Shaft

THK manufactures a spline shaft with thicker ends or thicker middle area through special processing at your request.



Hollow Spline Shaft (Type K)

A drawn, hollow spline shaft is available for requirements such as piping, wiring, air-vent and weight reduction.



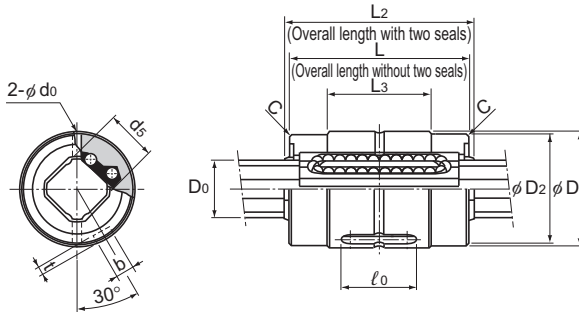
Housing Inner-diameter Tolerance

When fitting the spline nut to the housing, transition fit is normally recommended. If the accuracy of the Ball Spline does not need to be very high, clearance fitting is also acceptable.

Table1 Housing Inner-diameter Tolerance

Housing Inner-diameter Tolerance	General conditions	H7
	When clearance needs to be small	J6

Miniature Ball Spline



Models LBS6 and 8

Model No.	Spline nut dimensions										
	Outer diameter		Length		L ₂	L ₃	D ₂	Keyway dimensions			C
	D	Tolerance	L	Tolerance				b H8	t +0.1 0	l ₀	
LBS 6	12	0	20	0 -0.2	20.8	11	11.5	2	0.8	10	0.3
LBS 8	16	-0.011	25		26.4	14.5	15.5	2.5	1.2	12.5	0.3
LBS 10	19	0 -0.013	30		—	—	—	3	1.5	17	0.3

Note) Models LBS6 and 8 are of end cap type.
Keep the end caps of models LBS6 and 8 from impact.
THK does not offer a high temperature type of miniature Ball Spline.

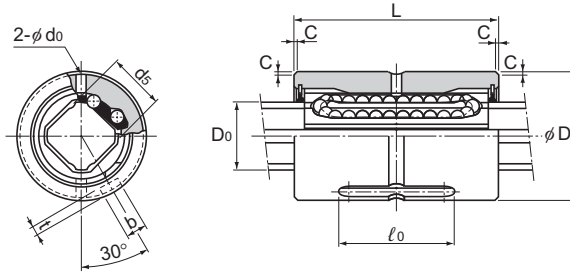
Model number coding

2 LBS6 UU CL +200L H

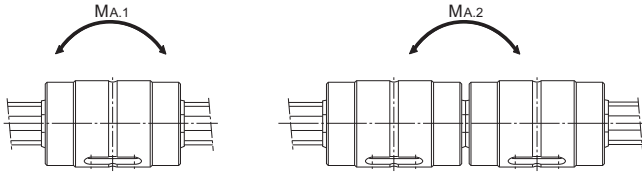
2: Number of spline nuts on one shaft (no symbol for one nut)
 LBS6: Model No.
 UU: Contamination protection accessory symbol (*1)
 CL: Symbol for clearance in the rotational direction (*2)
 +200L: Overall spline shaft length (*4) (in mm)
 H: Accuracy symbol (*3)

(*1) See **A3-113**. (*2) See **A3-29**. (*3) See **A3-33**. (*4) See **A3-109**.

High Torque Type Ball Spline



Model LBS10



Unit: mm

Greasing hole	Spline shaft outer diameter		Basic torque rating		Basic load rating (radial)		Static permissible moment		Mass		
	d ₀	D ₀	d ₅	C _T N·m	C _{OT} N·m	C kN	C ₀ kN	M _{A.1} ** N·m	M _{A.2} ** N·m	Spline Nut g	Spline shaft kg/m
	1.2	6	5.3	1.53	2.41	0.637	0.785	2.2	19.4	6.6	0.22
	1.2	8	7.3	4.07	6.16	1.18	1.42	5.1	39.6	15.4	0.42
	1.5	10	8.3	7.02	10.4	1.62	1.96	8.1	67.6	36.7	0.55

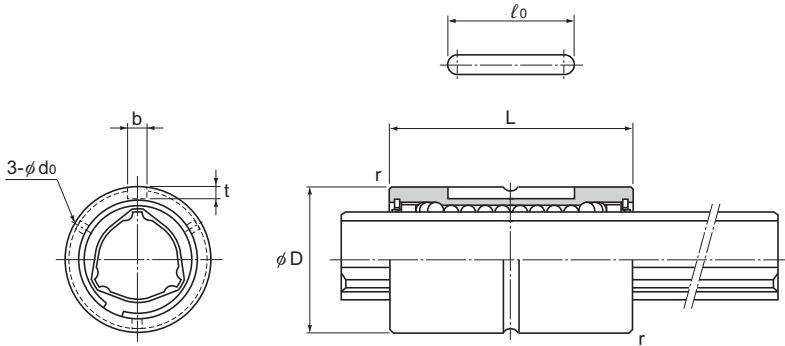
Note) **M_{A.1} indicates the permissible moment value in the axial direction when a single spline nut is used, as shown in the figure above.

**M_{A.2} indicates the permissible moment value in the axial direction when two spline nuts in close contact with each other are used, as shown in the figure above.

(Single spline nut configuration is not stable in accuracy. We recommend using two spline nuts in close contact with each other.)

For details on the maximum lengths of ball spline shafts by accuracy, please see [A3-109](#).

Model LBS (Medium Load Type)



Model No.	Spline nut dimensions								
	Outer diameter		Length		Keyway dimensions			r	Greasing hole d _o
	D	Tolerance	L	Tolerance	b H8	t +0.1 0	ℓ ₀		
LBS 15	23	$\begin{matrix} 0 \\ -0.013 \end{matrix}$	40	$\begin{matrix} 0 \\ -0.2 \end{matrix}$	3.5	2	20	0.5	2
○● LBS 20	30	$\begin{matrix} 0 \\ -0.016 \end{matrix}$	50		4	2.5	26	0.5	2
○● LBS 25	37		60	5	3	33	0.5	2	
○● LBS 30	45		70	7	4	41	1	3	
○● LBS 40	60	$\begin{matrix} 0 \\ -0.019 \end{matrix}$	90	$\begin{matrix} 0 \\ -0.3 \end{matrix}$	10	4.5	55	1	3
○● LBS 50	75		100		15	5	60	1.5	4
○● LBS 70	100	$\begin{matrix} 0 \\ -0.022 \end{matrix}$	110		18	6	68	2	4
○● LBS 85	120		140	20	7	80	2.5	5	
○● LBS 100	140	$\begin{matrix} 0 \\ -0.025 \end{matrix}$	160	$\begin{matrix} 0 \\ -0.4 \end{matrix}$	28	9	93	3	5

Note) ○: indicates model numbers for which high temperature types are available (with metal retainer; service temperature: up to 100°C).

(Example) LBS20 A CL+500L H

└ High temperature symbol

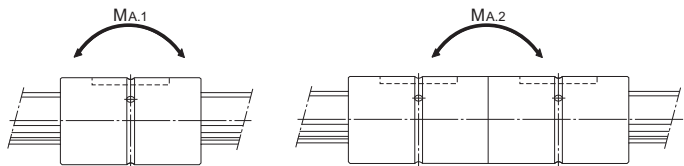
- : indicates model numbers for which felt seal types are available (see **A3-113**).
A felt seal cannot be attached to Ball Spline models using metal retainer.

Model number coding

2	LBS40	UU	CL	+1000L	P	K
└	└	└	└	└	└	└
Model No.		Symbol for clearance in the rotational direction (*2)		Accuracy symbol (*3)		Symbol for standard hollow spline shaft (*4)
Number of spline nuts on one shaft (no symbol for one nut)		Contamination protection accessory symbol (*1)		Overall spline shaft length (*5) (in mm)		

(*1) See **A3-113**. (*2) See **A3-29**. (*3) See **A3-33**. (*4) See **A3-69**. (*5) See **A3-109**.

High Torque Type Ball Spline



Unit: mm

	Basic torque rating		Basic load rating (radial)		Static permissible moment		Mass	
	C _T N-m	C _{OT} N-m	C kN	C ₀ kN	M _{A1} ** N-m	M _{A2} ** N-m	Spline Nut kg	Spline shaft kg/m
	30.4	74.5	4.4	8.4	25.4	185	0.06	1
	74.5	160	7.8	14.9	60.2	408	0.14	1.8
	154	307	13	23.5	118	760	0.25	2.7
	273	538	19.3	33.8	203	1270	0.44	3.8
	599	1140	31.9	53.4	387	2640	1	6.8
	1100	1940	46.6	73	594	4050	1.7	10.6
	2190	3800	66.4	102	895	6530	3.1	21.3
	3620	6360	90.5	141	2000	12600	5.5	32
	5910	12600	126	237	3460	20600	9.5	45

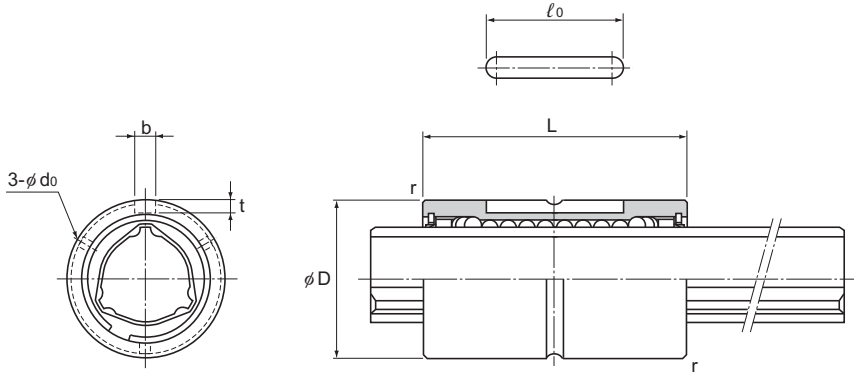
Note) **M_{A1} indicates the permissible moment value in the axial direction when a single spline nut is used, as shown in the figure above.

**M_{A2} indicates the permissible moment value in the axial direction when two spline nuts in close contact with each other are used, as shown in the figure above.

(Single LBS-unit configuration is not stable in accuracy. We recommend using a single LBST unit or two LBS units in close contact with each other.)

For details on the maximum lengths of ball spline shafts by accuracy, please see **A3-109**.

Model LBST (Heavy Load Type)



Model No.	Spline nut dimensions								
	Outer diameter		Length		Keyway dimensions			r	Greasing hole d _o
	D	Tolerance	L	Tolerance	b H8	t +0.1 0	ℓ ₀		
○● LBST 20	30	0 -0.016	60	0 -0.2	4	2.5	26	0.5	2
○● LBST 25	37		70		5	3	33		
○● LBST 30	45		80		7	4	41		
○● LBST 40	60	0 -0.019	100	0 -0.3	10	4.5	55	1	3
○● LBST 50	75		112		15	5	60		
○ LBST 60	90		127		18	6	68		
○● LBST 70	100	0 -0.022	135	0 -0.4	18	6	68	1.5	4
○● LBST 85	120		155		20	7	80		
○● LBST 100	140		175		28	9	93		
○ LBST 120	160	0 -0.025	200	0 -0.5	28	9	123	3.5	6
○ LBST 150	205		250		32	10	157		

Note) ○: indicates model numbers for which high temperature types are available (with metal retainer; service temperature: up to 100°C).

(Example) LBST25 A CM+400L H

└ High temperature symbol

●: indicates model numbers for which felt seal types are available (see **A3-113**).

A felt seal cannot be attached to Ball Spline models using metal retainer.

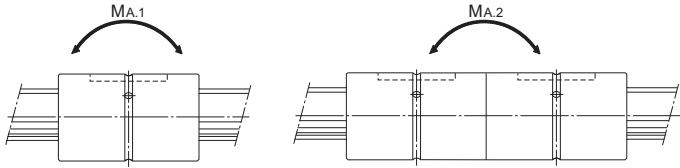
Model number coding

2 LBST50 UU CM +800L H K

2	LBST50	UU	CM	+800L	H	K
Model No.		Symbol for clearance in the rotational direction (*2)		Accuracy symbol (*3)		Symbol for standard hollow spline shaft (*4)
Number of spline nuts on one shaft (no symbol for one nut) (*1)		Contamination protection accessory symbol (*1)		Overall spline shaft length (*5) (in mm)		

(*1) See **A3-113**. (*2) See **A3-29**. (*3) See **A3-33**. (*4) See **A3-69**. (*5) See **A3-109**.

High Torque Type Ball Spline



Unit: mm

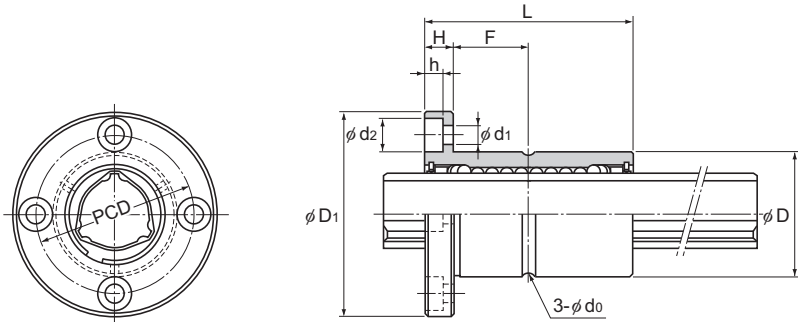
	Basic torque rating		Basic load rating (radial)		Static permissible moment		Mass	
	C_T N-m	C_{OT} N-m	C kN	C_0 kN	M_{A1}^{**} N-m	M_{A2}^{**} N-m	Spline Nut kg	Spline shaft kg/m
	90.2	213	9.4	20.1	103	632	0.17	1.8
	176	381	14.9	28.7	171	1060	0.29	2.7
	312	657	22.5	41.4	295	1740	0.5	3.8
	696	1420	37.1	66.9	586	3540	1.1	6.8
	1290	2500	55.1	94.1	941	5610	1.9	10.6
	1870	3830	66.2	121	1300	8280	3.3	15.6
	3000	6090	90.8	164	2080	11800	3.8	21.3
	4740	9550	119	213	3180	17300	6.1	32
	6460	14400	137	271	4410	25400	10.4	45
	8380	19400	148	306	5490	32400	12.9	69.5
	13900	32200	196	405	8060	55400	28	116.6

Note) M_{A1}^{**} indicates the permissible moment value in the axial direction when a single spline nut is used, as shown in the figure above.

M_{A2}^{**} indicates the permissible moment value in the axial direction when two spline nuts in close contact with each other are used, as shown in the figure above.

For details on the maximum lengths of ball spline shafts by accuracy, please see **A3-109**.

Model LBF (Medium Load Type)



Model No.	Spline nut dimensions									
	Outer diameter		Length		Flange diameter		H	F	Greasing hole d _o	PCD
	D	Tolerance	L	Tolerance	D ₁	Tolerance				
LBF 15	23	⁰ _{-0.013}	40	⁰ _{-0.2}	43		7	13	2	32
○● LBF 20	30	⁰ _{-0.016}	50	⁰ _{-0.3}	49	⁰ _{-0.2}	7	18	2	38
○● LBF 25	37		60		60		9	21	2	47
○● LBF 30	45		70		70		10	25	3	54
○● LBF 40	57	⁰ _{-0.019}	90	⁰ _{-0.3}	90	⁰ _{-0.3}	14	31	3	70
○● LBF 50	70		100		108		16	34	4	86
○ LBF 60	85		127		124		18	45.5	4	102
○● LBF 70	95	⁰ _{-0.022}	110	⁰ _{-0.4}	142	⁰ _{-0.3}	20	35	4	117
○● LBF 85	115	140	168		22		48	5	138	
○● LBF 100	135	⁰ _{-0.025}	160		195	⁰ _{-0.4}	25	55	5	162

Note) ○: indicates model numbers for which high temperature types are available (with metal retainer; service temperature: up to 100°C).

(Example) LBF20 A CL+500L H

└ High temperature symbol

- : indicates model numbers for which felt seal types are available (see **A3-113**).
A felt seal cannot be attached to Ball Spline models using metal retainer.

Model number coding

2 LBF20 DD CL +900L P K

Model No.

Symbol for clearance
in the rotational direction
(*2)

Accuracy symbol
(*3)

Symbol for standard hollow spline shaft (*4)

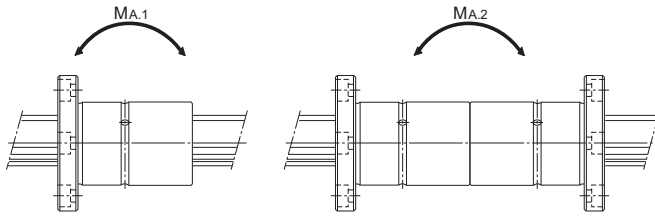
Number of spline nuts
on one shaft
(no symbol for one nut)

Contamination protection
accessory symbol
(*1)

Overall spline shaft length (*5)
(in mm)

(*1) See **A3-113**. (*2) See **A3-29**. (*3) See **A3-33**. (*4) See **A3-69**. (*5) See **A3-109**.

High Torque Type Ball Spline



Unit: mm

Mounting hole $d_1 \times d_2 \times h$		Basic torque rating		Basic load rating (radial)		Static permissible moment		Mass	
		C_T N-m	C_{GT} N-m	C kN	C_0 kN	M_{A1}^{**} N-m	M_{A2}^{**} N-m	Spline Nut kg	Spline shaft kg/m
	4.5×8×4.4	30.4	74.5	4.4	8.4	25.4	185	0.11	1
	4.5×8×4.4	74.5	160	7.8	14.9	60.2	408	0.2	1.8
	5.5×9.5×5.4	154	307	13	23.5	118	760	0.36	2.7
	6.6×11×6.5	273	538	19.3	33.8	203	1270	0.6	3.8
	9×14×8.6	599	1140	31.9	53.4	387	2640	1.2	6.8
	11×17.5×11	1100	1940	46.6	73	594	4050	1.9	10.6
	11×17.5×11	1870	3830	66.2	121	1300	8280	3.5	15.6
	14×20×13	2190	3800	66.4	102	895	6530	3.6	21.3
	16×23×15.2	3620	6360	90.5	141	2000	12600	6.2	32
	18×26×17.5	5910	12600	126	237	3460	20600	11	45

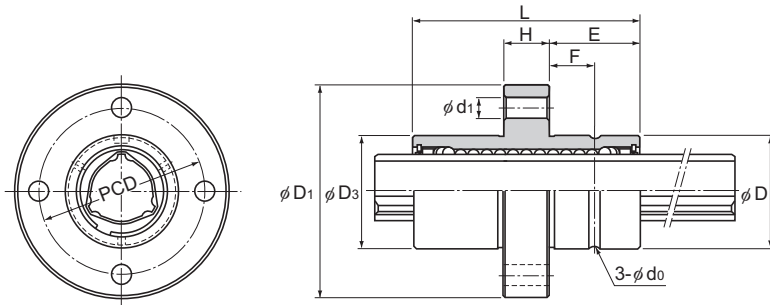
Note) M_{A1}^{**} indicates the permissible moment value in the axial direction when a single spline nut is used, as shown in the figure above.

M_{A2}^{**} indicates the permissible moment value in the axial direction when two spline nuts in close contact with each other are used, as shown in the figure above.

(Single spline nut configuration is not stable in accuracy. We recommend using two spline nuts in close contact with each other.)

For details on the maximum lengths of ball spline shafts by accuracy, please see **A3-109**.

Model LBR



Model No.	Spline nut dimensions								
	Outer diameter		Outer diameter D ₃	Length		Flangediameter D ₁	H	E	PCD
	D	Tolerance		L	Tolerance				
LBR 15	25	⁰ _{-0.013}	25.35	40	0 -0.2	45.4	9	15.5	34
○● LBR 20	30	0 -0.016	30.35	60		56.4	12	24	44
○● LBR 25	40		40.35	70	0 -0.3	70.4	14	28	54
○● LBR 30	45	45.4	80	75.4		16	32	61	
○● LBR 40	60	0 -0.019	60.4	100	0 -0.3	96.4	18	41	78
○● LBR 50	75		75.4	112		112.4	20	46	94
○ LBR 60	90	0 -0.022	90.5	127	0 -0.4	134.5	22	52.5	112
○● LBR 70	95		95.6	135		140.6	24	55.5	117
○● LBR 85	120	0 -0.025	120.6	155	0 -0.4	170.6	26	64.5	146
○● LBR 100	140		140.6	175		198.6	34	70.5	170

Note) ○: indicates model numbers for which high temperature types are available (with metal retainer; service temperature: up to 100°C).

(Example) LBR40 A CM+600L H

└ High temperature symbol

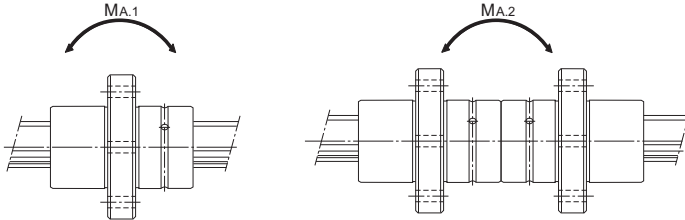
- : indicates model numbers for which felt seal types are available (see **A3-113**).
A felt seal cannot be attached to Ball Spline models using metal retainer.

Model number coding

2	LBR30	UU	CM	+700L	H	K
┆	┆	┆	┆	┆	┆	┆
Model No.		Symbol for clearance in the rotational direction (*2)	Symbol for standard hollow spline shaft (*4)	Accuracy symbol (*3)		
Number of spline nuts on one shaft (no symbol for one nut)		Contamination protection accessory symbol (*1)	Overall spline shaft length (*5) (in mm)			

(*1) See **A3-113**. (*2) See **A3-29**. (*3) See **A3-33**. (*4) See **A3-69**. (*5) See **A3-109**.

High Torque Type Ball Spline



Unit: mm

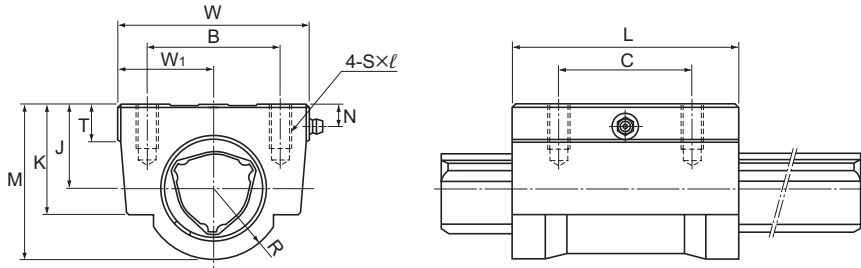
				Basic torque rating		Basic load rating (radial)		Static permissible moment		Mass	
	Mounting hole	F	Greasing hole	C_T	C_{OT}	C	C_0	$M_{A.1}^{**}$	$M_{A.2}^{**}$	Spline Nut kg	Spline shaft kg/m
	d_1		d_0	N-m	N-m	kN	kN	N-m	N-m		
	4.5	7.5	2	30.4	74.5	4.4	8.4	25.4	185	0.14	1
	5.5	12	2	90.2	213	9.4	20.1	103	632	0.33	1.8
	5.5	14	2	176	381	14.9	28.7	171	1060	0.54	2.7
	6.6	16	3	312	657	22.5	41.4	295	1740	0.9	3.8
	9	20.5	3	696	1420	37.1	66.9	586	3540	1.7	6.8
	11	23	4	1290	2500	55.1	94.1	941	5610	2.7	10.6
	11	26	4	1870	3830	66.2	121	1300	8280	3.7	15.6
	14	27	4	3000	6090	90.8	164	2080	11800	6	21.3
	16	32	5	4740	9550	119	213	3180	17300	8.3	32
	18	35	5	6460	14400	137	271	4410	25400	14.2	45

Note) $M_{A.1}$ indicates the permissible moment value in the axial direction when a single spline nut is used, as shown in the figure above.

$M_{A.2}$ indicates the permissible moment value in the axial direction when two spline nuts in close contact with each other are used, as shown in the figure above.

For details on the maximum lengths of ball spline shafts by accuracy, please see **A3-109**.

Model LBH



Model No.	Spline nut dimensions									
	Height M	Width W	Length L	B	C	S × l	J ±0.15	W ₁ ±0.15	T	K
○ LBH 15	29	34	43	26	26	M4 × 10	15	17	6	20
○● LBH 20	38	48	62	35	35	M6 × 12	20	24	7	26
○● LBH 25	47	60	73	40	40	M8 × 16	25	30	8	33
○● LBH 30	57	70	83	50	50	M8 × 16	30	35	10	39
○● LBH 40	70	86	102	60	60	M10 × 20	38	43	15	50
○● LBH 50	88	100	115	75	75	M12 × 25	48	50	18	63

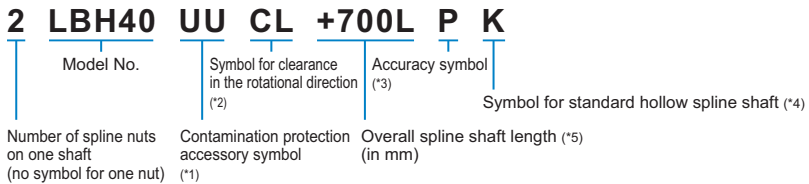
Note) ○: indicates model numbers for which high temperature types are available (with metal retainer; service temperature: up to 100°C).

(Example) LBH30 A CM+600L H

└ High temperature symbol

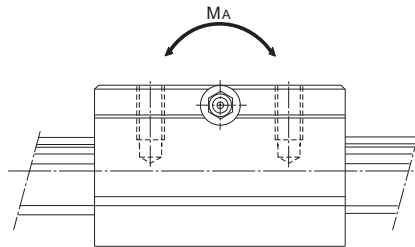
●: indicates model numbers for which felt seal types are available (see **A3-113**).
A felt seal cannot be attached to Ball Spline models using metal retainer.

Model number coding



(*1) See **A3-113**. (*2) See **A3-29**. (*3) See **A3-33**. (*4) See **A3-69**. (*5) See **A3-109**.

High Torque Type Ball Spline



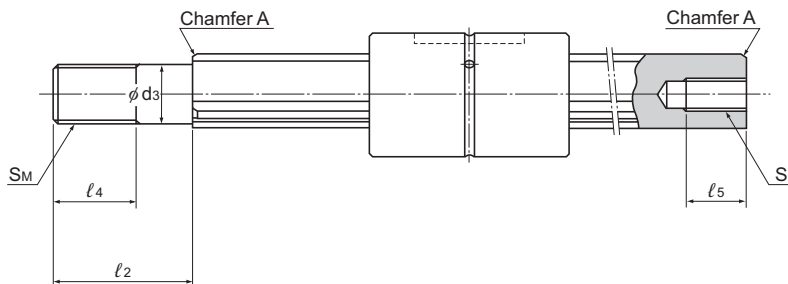
Unit: mm

				Basic torque rating		Basic load rating (radial)		Static permissible moment	Mass	
R	N	Grease nipple	C_T N-m	C_{OT} N-m	C kN	C_0 kN	M_A^{**} N-m		Spline Nut kg	Spline shaft kg/m
14	5	$\phi 4$ drive Nipple	30.4	74.5	4.4	8.4	25.4	0.23	1	
18	7	A-M6F	90.2	213	9.4	20.1	103	0.58	1.8	
22	6	A-M6F	176	381	14.9	28.7	171	1.1	2.7	
26	8	A-M6F	312	657	22.5	41.4	295	1.73	3.8	
32	10	A-M6F	696	1420	37.1	66.9	586	3.18	6.8	
40	13.5	A-PT1/8	1290	2500	55.1	94.1	941	5.1	10.6	

Note) M_A^{**} indicates the permissible moment value in the axial direction when a single spline nut is used, as shown in the figure above.

For details on the maximum lengths of ball spline shafts by accuracy, please see **A3-109**.

Model LBS with Recommended Shaft End Shape



Unit: mm

Model No.	d_3	Tolerance	l_2	S_M	l_4	$S \times l_5$
LBS 15	10	$\begin{matrix} 0 \\ -0.015 \end{matrix}$	23	M10×1.25	14	M6×10
LBS 20	14	$\begin{matrix} 0 \\ -0.018 \end{matrix}$	30	M14×1.5	18	M8×15
LBS 25	18		42	M18×1.5	25	M10×18
LBS 30	20	$\begin{matrix} 0 \\ -0.021 \end{matrix}$	46	M20×1.5	27	M12×20
LBS 40	30		70	M30×2	40	M18×30
LBS 50	36	$\begin{matrix} 0 \\ -0.025 \end{matrix}$	80	M36×3	46	M20×35

Note) For details of chamfer A, see **A3-70**.

Spline Shaft

Spline shafts are divided in shape into precision solid spline shaft, special spline shaft and hollow spline shaft (type K), as described on **A3-55**.

Since production of a spline shaft with a specific shape is performed at your request, provide a drawing of the desired shaft shape when asking an estimate or placing an order.

[Sectional Shape of the Spline Shaft]

Table2 shows the sectional shape of a spline shaft. If the spline shaft ends need to be cylindrical, the minor diameter (ϕd) value should not be exceeded if possible.

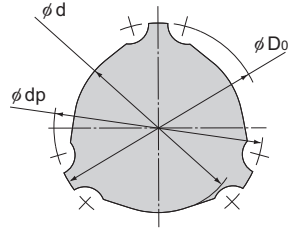


Table2 Sectional Shape of the Spline Shaft

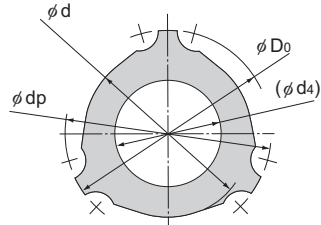
Unit: mm

Nominal shaft diameter	15	20	25	30	40	50	60	70	85	100	120	150
Minor diameter ϕd	11.7	15.3	19.5	22.5	31	39	46.5	54.5	67	81	101	130
Major diameter ϕD_0	14.5	19.7	24.5	29.6	39.8	49.5	60	70	84	99	117	147
Ball center-to-center diameter ϕdp	15	20	25	30	40	50	60	70	85	100	120	150
Mass (kg/m)	1	1.8	2.7	3.8	6.8	10.6	15.6	21.3	32	45	69.5	116.6

*The minor diameter ϕd must be a value at which no groove is left after machining.

[Hole Shape of the Standard Hollow Type Spline Shaft]

Table3 shows the hole shape of the standard hollow type spline shaft. Use this table when a requirement such as piping, wiring, air-vent or weight reduction needs to be met.



Type K

Table3 Sectional Shape of the Standard Hollow Type Spline Shaft

Unit: mm

Nominal shaft diameter	20	25	30	40	50	60	70	85	100	120	150
Minor diameter ϕd	15.3	19.5	22.5	31	39	46.5	54.5	67	81	101	130
Major diameter ϕD_0	19.7	24.5	29.6	39.8	49.5	60	70	84	99	117	147
Ball center-to-center diameter ϕdp	20	25	30	40	50	60	70	85	100	120	150
Hole diameter (ϕd_4)	6	8	12	18	24	30	35	45	56	60	80
Mass (kg/m)	1.6	2.3	2.9	4.9	7	10	13.7	19.5	25.7	47.3	77.1

*The minor diameter ϕd must be a value at which no groove is left after machining.

[Chamfering of the Spline Shaft Ends]

To facilitate the insertion of the spline shaft into a spline nut, the shaft ends are normally chamfered with dimensions as indicated below unless otherwise specified.

● Chamfer A

If the spline shaft ends are stepped, tapped or drilled for specific use, they are machined with chamfer A dimensions indicated in Table4.

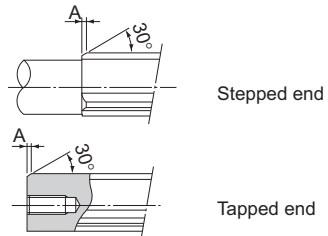


Fig.2 Chamfer A

● Chamfer B

If either end of the spline shaft is not used, such as cantilever support, it is machined with chamfer B dimensions indicated in Table4.

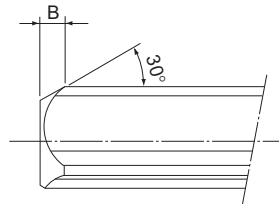


Fig.3 Chamfer B

Table4 Chamfer Dimensions of Spline Shaft Ends

Unit: mm

Nominal shaft diameter	15	20	25	30	40	50	60	70	85	100	120	150
Chamfer A	1	1	1.5	2.5	3	3.5	5	6.5	7	7	7.5	8
Chamfer B	3.5	4.5	5.5	7	8.5	10	13	15	16	17	17	18

Note) Spline shafts with nominal diameters 6, 8 and 10 are chamfered to C0.5.

[Length of Imperfect Area of a Special Spline Shaft]

If the middle area or the end of a spline shaft is to be thicker than the minor diameter (ϕd), an imperfect spline area is required to secure a recess for grinding. Table5 shows the relationship between the length of the incomplete section (S) and the flange diameter (ϕdf).

(This table does not apply to overall length of 1,500 mm or greater. Contact THK for details.)

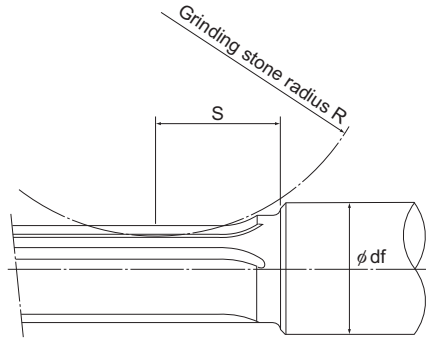


Table5 Length of Imperfect Spline Area: S

Unit: mm

Flange diameter ϕdf	15	20	25	30	35	40	50	60	80	100	120	140	160	180	200
Nominal shaft diameter	15	20	25	30	35	40	50	60	80	100	120	140	160	180	200
15	32	42	49	55	60	—	—	—	—	—	—	—	—	—	—
20	—	35	43	51	57	62	—	—	—	—	—	—	—	—	—
25	—	—	51	64	74	82	97	—	—	—	—	—	—	—	—
30	—	—	—	54	67	76	92	105	—	—	—	—	—	—	—
40	—	—	—	—	—	59	80	95	119	—	—	—	—	—	—
50	—	—	—	—	—	—	63	83	110	131	—	—	—	—	—
60	—	—	—	—	—	—	—	66	100	123	140	—	—	—	—
70	—	—	—	—	—	—	—	—	89	115	134	150	—	—	—
85	—	—	—	—	—	—	—	—	61	98	122	140	—	—	—
100	—	—	—	—	—	—	—	—	—	78	108	130	147	—	—
120	—	—	—	—	—	—	—	—	—	—	81	111	133	150	—
150	—	—	—	—	—	—	—	—	—	—	—	64	101	125	144

*This table does not apply to overall length of 1,500 mm or greater. Contact THK for details.

Accessories

Ball Spline models LBS and LBST are provided with a standard key as indicated in Table6.

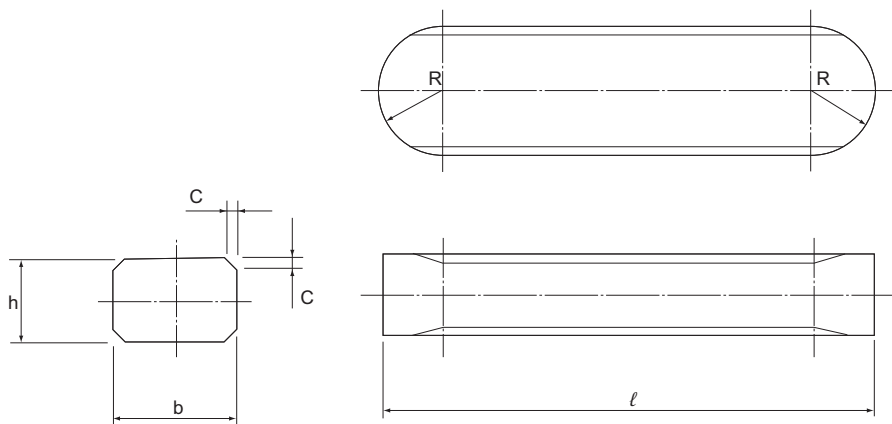


Table6 Standard Keys for Models LBS and LBST

Unit: mm

Nominal shaft diameter	Width b		Height h		Length ℓ		R	C
		Tolerance(p7)		Tolerance(h9)		Tolerance(h12)		
LBS 6	2	+0.016 +0.006	1.3	0 -0.025	10	0 -0.150	1	0.3
LBS 8	2.5		2		12.5	0	1.25	
LBS 10	3		2.5		17	-0.180	1.5	
LBS 15	3.5	+0.024 +0.012	3.5	0 -0.030	20	0	1.75	0.5
LBS 20	4		4		26	-0.210	2	
LBST 20			5		33	0	2.5	
LBS 25	5	+0.030 +0.015	7	0 -0.036	41	-0.250	3.5	0.8
LBS 30	7		8		55	0	5	
LBST 30	10		10		60	-0.300	7.5	
LBS 40	10	+0.036 +0.018	10	0 -0.043	68	0	9	1.2
LBST 40	15		12		80	-0.350	14	
LBS 50	15		18		93	0	14	
LBST 50	18	+0.043 +0.022	18	0 -0.052	123	0	14	2
LBST 60	18		18		157	-0.400	16	
LBS 70	18		20					
LBS 85	20	+0.051 +0.026	13	0 -0.052	80	0	14	1.2
LBST 85	20		18		93	0	14	
LBS 100	28		18		123	0	14	
LBST 100	28	+0.051 +0.026	18	0 -0.052	123	0	14	2
LBST 120	28		20		157	-0.400	16	
LBST 150	32		20		157		16	

Medium Torque Type Ball Spline

Models LT, LF and LT-X

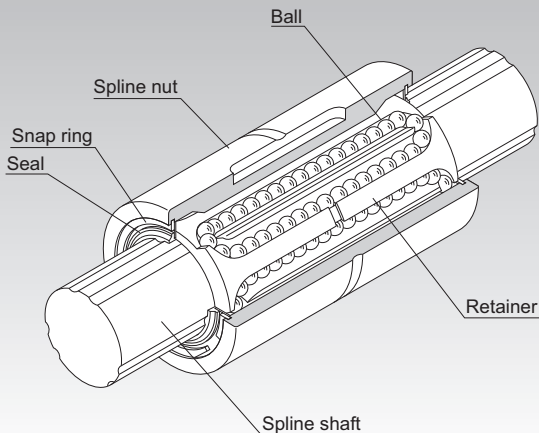


Fig.1 Structure of Medium Torque Type Ball Spline Model LT

Point of Selection **A3-6**

Point of Design **A3-111**

Options **A3-113**

Model No. **A3-115**

Precautions on Use **A3-116**

Accessories for Lubrication **A24-1**

Mounting Procedure and Maintenance **B3-30**

Cross-sectional Characteristics of the Spline Shaft **A3-17**

Equivalent factor **A3-26**

Clearance in the Rotation Direction **A3-29**

Accuracy Standards **A3-33**

Maximum Manufacturing Length by Accuracy **A3-109**

Structure and Features

With the medium torque type Ball Spline, the spline shaft has two to three crests on the circumference, and along both sides of each crest, two rows of balls (four or six rows in total) are arranged to hold the crest so that a reasonable preload is applied.

The rows of balls are held in a special resin retainer incorporated in the spline nut so that they smoothly roll and circulate. With this design, balls will not fall even if the nut is removed from the spline shaft.

[Large Load Capacity]

The raceways are formed into circular-arc grooves approximate to the ball curvature and ensure angular contact. Thus, this model has a large load capacity in the radial and torque directions.

[No Angular Backlash]

Two rows of balls facing one another hold a crest, formed on the circumference of the spline nut, at a contact angle of 20° to provide a preload in an angular-contact structure. This eliminates an angular backlash in the rotational direction and increases the rigidity.

[High Rigidity]

Since the contact angle is large and an appropriate preload is given, high rigidity against torque and moment is achieved.

[Ball Retaining Type]

Use of a retainer prevents the balls from falling even if the spline shaft is pulled out of the spline nut. (except for models LT4 and 5)

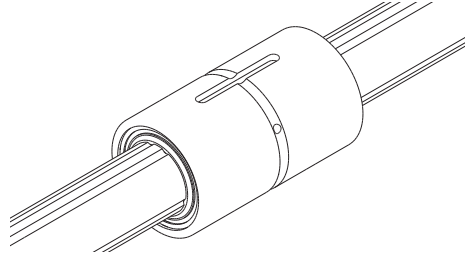
Types and Features

[Types of Spline Nuts]

Cylindrical Type Ball Spline Model LT

Specification Table⇒ **A3-78**

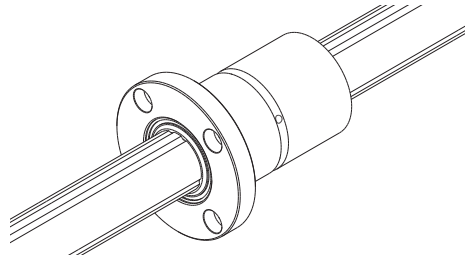
The most compact type with a straight cylindrical spline nut. When transmitting a torque, a key is driven into the body.



Flanged Type Ball Spline Model LF

Specification Table⇒ **A3-80**

The spline nut can be attached to the housing via the flange, making assembly simple. It is optimal for locations where the housing may be deformed if a keyway is machined on its surface, and where the housing width is small.

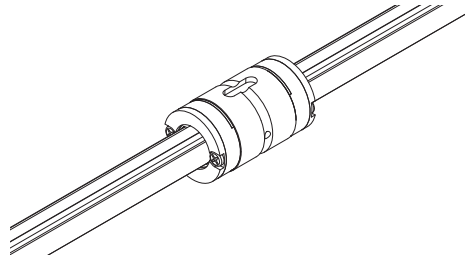


The model LT-X miniature ball spline

Specification Table⇒ **A3-82**

This model is much more compact than the standard LT.

The length and external diameter of the LT-X ball spline's outer cylinder are the same as those of an LM-series linear bush, enabling the user to replace a linear bush with the LT-X.



[Types of Spline Shafts]

Precision Solid Spline Shaft (Standard Type)

The raceway of the spline shaft is precision ground. It is used in combination with a spline nut.



Special Spline Shaft

THK manufactures a spline shaft with thicker ends or thicker middle area through special processing at your request.



Hollow Spline Shaft (Type K)

A drawn, hollow spline shaft is available for requirements such as piping, wiring, air-vent and weight reduction.



Thick

Hollow Spline Shaft (Type N)

A drawn, hollow spline shaft is available for requirements such as piping, wiring, air-vent and weight reduction.



Thin

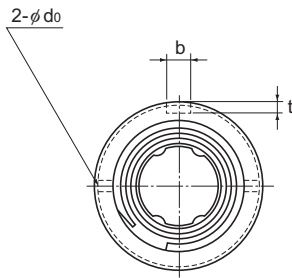
Housing Inner-diameter Tolerance

When fitting the spline nut to the housing, transition fit is normally recommended. If the accuracy of the Ball Spline does not need to be very high, clearance fitting is also acceptable.

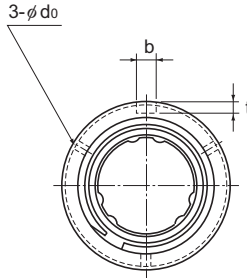
Table1 Housing Inner-diameter Tolerance

Housing Inner-diameter Tolerance	General conditions	H7
	When clearance needs to be small	J6

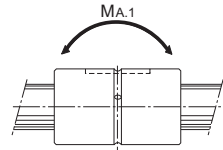
Model LT



Model LT13 or smaller



Model LT16 or greater



Model No.	Spline nut dimensions									
	Outer diameter		Length		b H8	Keyway dimensions		r	Greasing hole d _o	
	D	Tolerance	L	Tolerance		t +0.1 0	ℓ _o			
Note) LT 4	10	$\begin{matrix} 0 \\ -0.009 \end{matrix}$	16	$\begin{matrix} 0 \\ -0.2 \end{matrix}$	2	1.2	6	0.5	—	
Note) LT 5	12	$\begin{matrix} 0 \\ -0.011 \end{matrix}$	20		2.5	1.2	8	0.5	—	
LT 6	14		25		2.5	1.2	10.5	0.5	1	
LT 8	16		25		2.5	1.2	10.5	0.5	1.5	
LT 10	21	$\begin{matrix} 0 \\ -0.013 \end{matrix}$	33		3	1.5	13	0.5	1.5	
LT 13	24		36		3	1.5	15	0.5	1.5	
○ LT 16	31	$\begin{matrix} 0 \\ -0.016 \end{matrix}$	50		$\begin{matrix} 0 \\ -0.3 \end{matrix}$	3.5	2	17.5	0.5	2
○ LT 20	35		63			4	2.5	29	0.5	2
○ LT 25	42		71			4	2.5	36	0.5	3
○ LT 30	47		80			4	2.5	42	0.5	3
○ LT 40	64		0	100		6	3.5	52	0.5	4
○ LT 50	80		$\begin{matrix} 0 \\ -0.019 \end{matrix}$	125		8	4	58	1	4
○ LT 60	90		0	140		12	5	67	1	5
○ LT 80	120		$\begin{matrix} 0 \\ -0.022 \end{matrix}$	160		16	6	76	2	5
○ LT 100	150		$\begin{matrix} 0 \\ -0.025 \end{matrix}$	185		20	7	110	2.5	5

Note) Models LT4 and 5 do not have a retainer. Do not remove the shaft from the spline nut. (It will cause balls to fall off.)

○: indicates model numbers for which high temperature types are available (with metal retainer; service temperature: up to 100°C).

(Example) LT20 A CL+500L H

High temperature symbol

Model number coding

2 **LT30** **UU** **CL** **+500L** **H** **K**

Model No.

Symbol for clearance
in the rotational direction
(*2)

Accuracy symbol
(*3)

Symbol for standard hollow spline shaft (*4)

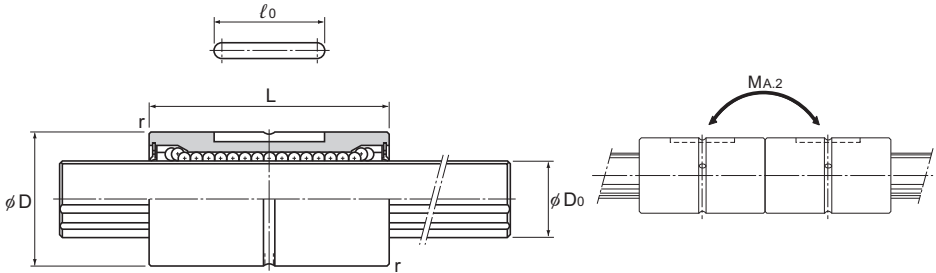
Number of spline nuts
on one shaft
(no symbol for one nut)
(*1)

Contamination protection
accessory symbol
(*1)

Overall spline shaft length (*5)
(in mm)

(*1) See **A3-113**. (*2) See **A3-29**. (*3) See **A3-33**. (*4) See **A3-85**. (*5) See **A3-109**.

Medium Torque Type Ball Spline



Unit: mm

	Spline shaft diameter D_0 h7	Rows of balls	Basic torque rating		Basic Load Rating		Static permissible moment		Mass	
			C_T N-m	C_{OT} N-m	C kN	C_0 kN	MA_1^{**} N-m	MA_2^{**} N-m	Spline Nut g	Spline shaft kg/m
	4	4	0.59	0.78	0.44	0.61	0.88	6.4	5.2	0.1
	5	4	0.88	1.37	0.66	0.88	1.5	11.6	9.1	0.15
	6	4	0.98	1.96	1.18	2.16	4.9	36.3	17	0.23
	8	4	1.96	2.94	1.47	2.55	5.9	44.1	18	0.4
	10	4	3.92	7.84	2.84	4.9	15.7	98	50	0.62
	13	4	5.88	10.8	3.53	5.78	19.6	138	55	1.1
	16	6	31.4	34.3	7.06	12.6	67.6	393	165	1.6
	20	6	56.9	55.9	10.2	17.8	118	700	225	2.5
	25	6	105	103	15.2	25.8	210	1140	335	3.9
	30	6	171	148	20.5	34	290	1710	375	5.6
	40	6	419	377	37.8	60.5	687	3760	1000	9.9
	50	6	842	769	60.9	94.5	1340	7350	1950	15.5
	60	6	1220	1040	73.5	111.7	1600	9990	2500	22.3
	80	6	2310	1920	104.9	154.8	2510	16000	4680	39.6
	100	6	3730	3010	136.2	195	3400	24000	9550	61.8

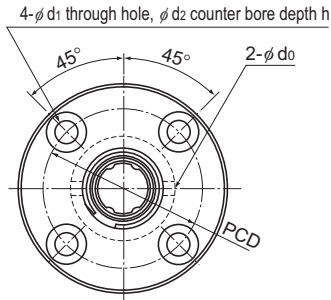
Note) MA_1 indicates the permissible moment value in the axial direction when a single spline nut is used, as shown in the figure above.

MA_2 indicates the permissible moment value in the axial direction when two spline nuts in close contact with each other are used, as shown in the figure above.

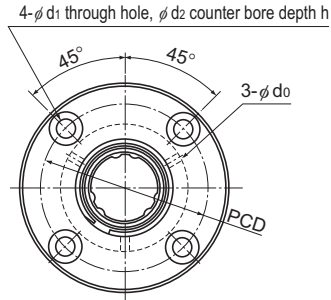
(Single LT-unit configuration is not stable in accuracy. We recommend using two units in close contact with each other.)

For details on the maximum lengths of ball spline shafts by accuracy, please see **A3-109**.

Model LF



Model LF13 or smaller



Model LF16 or greater

Model No.	Spline nut dimensions												
	Outer diameter		Length		Flange diameter		H	F	C	r	Greasing hole		Mounting hole $d_1 \times d_2 \times h$
	D	Tolerance	L	Tolerance	D_1	Tolerance					d_0	PCD	
LF 6	14	0	25	0	30	0 -0.2	5	7.5	0.5	0.5	1.5	22	3.4×6.5×3.3
LF 8	16	-0.011	25		32		5	7.5	0.5	0.5	1.5	24	3.4×6.5×3.3
LF 10	21	0 -0.013	33	42	6		10.5	0.5	0.5	1.5	32	4.5×8×4.4	
LF 13	24		36	44	7		11	0.5	0.5	1.5	33	4.5×8×4.4	
○ LF 16	31	0 -0.016	50	51	7		18	0.5	0.5	2	40	4.5×8×4.4	
○ LF 20	35		63	58	9		22.5	0.5	0.5	2	45	5.5×9.5×5.4	
○ LF 25	42	71	65	9	26.5		0.5	0.5	3	52	5.5×9.5×5.4		
○ LF 30	47	80	75	10	30		0.5	0.5	3	60	6.6×11×6.5		
○ LF 40	64	100	100	14	36		1	0.5	4	82	9×14×8.6		
○ LF 50	80	-0.019	125	124	16		46.5	1	1	4	102	11×17.5×11	

Note) ○: indicates model numbers for which high temperature types are available (with metal retainer; service temperature: up to 100°C).

(Example) LF30 A CL+700L H

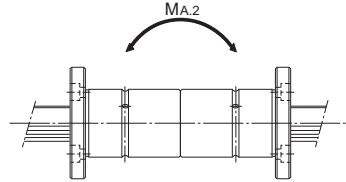
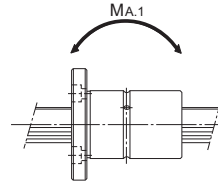
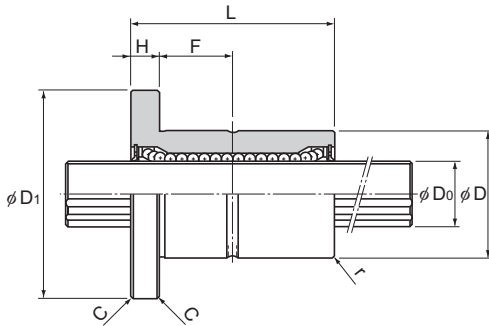
High temperature symbol

Model number coding

2	LF20	UU	CM	+400L	P	N
Model No.		Symbol for clearance in the rotational direction (*2)		Accuracy symbol (*3)		Symbol for standard hollow spline shaft (*4)
Number of spline nuts on one shaft (no symbol for one nut)		Contamination protection accessory symbol (*1)		Overall spline shaft length (*5) (in mm)		

(*1) See **A3-113**. (*2) See **A3-29**. (*3) See **A3-33**. (*4) See **A3-85**. (*5) See **A3-109**.

Medium Torque Type Ball Spline



Unit: mm

	Spline shaft diameter D_0 h7	Rows of balls	Basic torque rating		Basic load rating		Static permissible moment		Mass	
			C_T N-m	C_{OT} N-m	C kN	C_0 kN	M_{A1}^{**} N-m	M_{A2}^{**} N-m	Spline Nut g	Spline shaft kg/m
	6	4	0.98	1.96	1.18	2.16	4.9	36.3	35	0.23
	8	4	1.96	2.94	1.47	2.55	5.9	44.1	37	0.4
	10	4	3.92	7.84	2.84	4.9	15.7	98	90	0.62
	13	4	5.88	10.8	3.53	5.78	19.6	138	110	1.1
	16	6	31.4	34.3	7.06	12.6	67.6	393	230	1.6
	20	6	56.9	55.9	10.2	17.8	118	700	330	2.5
	25	6	105	103	15.2	25.8	210	1140	455	3.9
	30	6	171	148	20.5	34	290	1710	565	5.6
	40	6	419	377	37.8	60.5	687	3760	1460	9.9
	50	6	842	769	60.9	94.5	1340	7350	2760	15.5

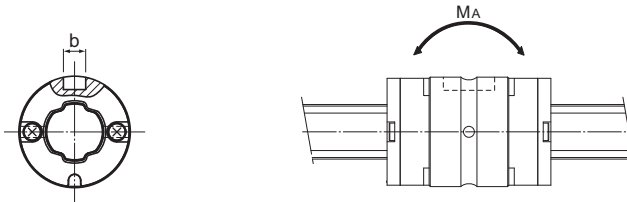
Note) M_{A1} indicates the permissible moment value in the axial direction when a single spline nut is used, as shown in the figure above.

M_{A2} indicates the permissible moment value in the axial direction when two spline nuts in close contact with each other are used, as shown in the figure above.

(Single LF-unit configuration is not stable in accuracy. We recommend using two units in close contact with each other.)

For details on the maximum lengths of ball spline shafts by accuracy, please see **A3-109**.

Model LT-X



Model No.	Spline nut dimensions							
	Outer diameter		Length		Keyway dimensions			Greasing hole
	D	Tolerance	L'	L ₁	b H8	t	ℓ ₀	d ₀
LT 4X	8	$\begin{matrix} 0 \\ -0.009 \end{matrix}$	14.4(12.0)	7.5	—	1	—	1
LT 5X LT 5XL	10	$\begin{matrix} 0 \\ -0.009 \end{matrix}$	15(13.6) 26(24.6)	7.3 18.3	2	1.2	4.7	1
LT 6X LT 6XL	12	$\begin{matrix} 0 \\ -0.011 \end{matrix}$	19(17.6) 30(28.6)	10.2 21.2	2	1.2	6	1

*External cylinder lengths (L) shown are for units equipped with the dust-prevention (UU) option.
Values shown in parentheses are schematic lengths for units not equipped with the dust-prevention option.

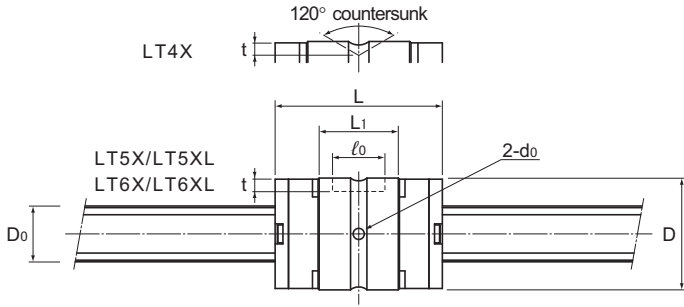
Model number coding

2 LT6X UU CL +100L H

Model No.	Contamination protection accessory symbol (*)	Symbol for clearance in the rotational direction (*)	Accuracy symbol (*)
Number of spline nuts on one shaft (no symbol for one nut)			Overall spline shaft length (*4) (in mm)

(*1) See **A3-113**. (*2) See **A3-29**. (*3) See **A3-33**. (*4) See **A3-109**.

Medium Torque Type Ball Spline



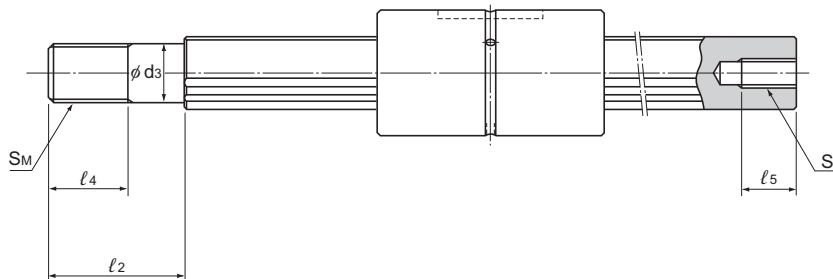
Unit: mm

Spline shaft diameter	Basic torque rating		Basic load rating		Static permissible moment	Mass	
	C_T N-m	C_{0T} N-m	C N	C_0 N		Spline Nut g	Spline shaft kg/m
4	0.49	0.82	420	700	0.84	2.2	0.10
5	0.82 1.59	1.25 3.20	560 1090	850 2190	1.04 6.11	3.3 8.0	0.15
6	1.73 2.81	2.77 5.54	980 1600	1580 3150	2.85 10.6	6.6 13.3	0.21

Note) ** M_A indicates the permissible moment value in the axial direction when a single spline nut is used, as shown in the figure above.

For details on the maximum lengths of ball spline shafts by accuracy, please see [A3-109](#).

Model LT with Recommended Shaft End Shape



Unit: mm

Model No.	d_3	Tolerance	l_2	S_M	l_4	$S \times l_5$
LT 6	5	0	12	M5×0.8	7	M2.5×4
LT 8	6	-0.012	14	M6×1	8	M3×5
LT 10	8	0	18	M8×1	11	M4×6
LT 13	10	-0.015	23	M10×1.25	14	M5×8
LT 16	14	0	30	M14×1.5	18	M6×10
LT 20	16	-0.018	38	M16×1.5	22	M8×15
LT 25	22	0	50	M22×1.5	28	M10×18
LT 30	27	-0.021	60	M27×2	34	M14×25
LT 40	36	0	80	M36×3	45	M18×30
LT 50	45	-0.025	100	M45×4.5	58	M22×40

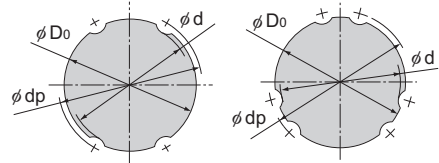
Spline Shaft

Spline shafts are divided in shape into precision solid spline shaft, special spline shaft and hollow spline shaft (types K and N), as described on **A3-76**.

Since production of a spline shaft with a specific shape is performed at your request, provide a drawing of the desired shaft shape when asking an estimate or placing an order.

[Sectional Shape of the Spline Shaft]

Table2 shows the sectional shape of a spline shaft. If the spline shaft ends need to be cylindrical, the minor diameter (ϕd) value should not be exceeded if possible.



Model LT13 or smaller Model LT16 or greater

Table2 Sectional Shape of the Spline Shaft

Unit: mm

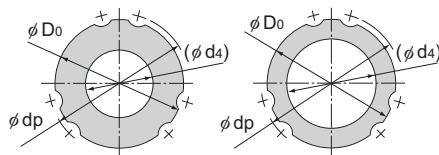
Nominal shaft diameter	4	5	6	8	10	13	16	20	25	30	40	50	60	80	100
Minor diameter ϕd	3.5	4.5	5	7	8.5	11.5	14.5	18.5	23	28	37.5	46.5	56.5	75.5	95
Major diameter ϕD_o h7	4	5	6	8	10	13	16	20	25	30	40	50	60	80	100
Ball center-to-center diameter ϕdp	4.6	5.7	7	9.3	11.5	14.8	17.8	22.1	27.6	33.2	44.2	55.2	66.3	87.9	109.5
Mass(kg/m)	0.1	0.15	0.23	0.4	0.62	1.1	1.6	2.5	3.9	5.6	9.9	15.5	22.3	39.6	61.8

*The minor diameter ϕd must be a value at which no groove is left after machining.

[Hole Shape of the Standard Hollow Type Spline Shaft]

Table3 shows the hole shape of the standard hollow type spline shaft (types K and N).

Use this table when a requirement such as piping, wiring, air-vent or weight reduction needs to be met.



Type K
(Thick)

Type N
(Thin)

Table3 Sectional Shape of the Standard Hollow Type Spline Shaft

Unit: mm

Nominal shaft diameter	6	8	10	13	16	20	25	30	40	50	60	80	100	
Major diameter ϕD_o h7	6	8	10	13	16	20	25	30	40	50	60	80	100	
Ball center-to-center diameter ϕdp	7	9.3	11.5	14.8	17.8	22.1	27.6	33.2	44.2	55.2	66.3	87.9	109.5	
Type K	Hole diameter (ϕd_4)	2.5	3	4	5	7	10	12	16	22	25	32	52.5	67.5
	Mass(kg/m)	0.2	0.35	0.52	0.95	1.3	1.8	3	4	6.9	11.6	16	22.6	33.7
Type N	Hole diameter (ϕd_4)	—	—	—	—	11	14	18	21	29	36	—	—	—
	Mass(kg/m)	—	—	—	—	0.8	1.3	1.9	2.8	4.7	7.4	—	—	—

Note) The standard hollow type Spline Shaft is divided into types K and N. Indicate "K" or "N" at the end of the model number to distinguish between them when placing an order.

[Length of Imperfect Area of a Special Spline Shaft]

If the middle area or the end of a spline shaft is to be thicker than the minor diameter (ϕd), an imperfect spline area is required to secure a recess for grinding. Table4 shows the relationship between the length of the incomplete section (S) and the flange diameter (ϕdf).

(This table does not apply to overall length of 1,500 mm or greater. Contact THK for details.)

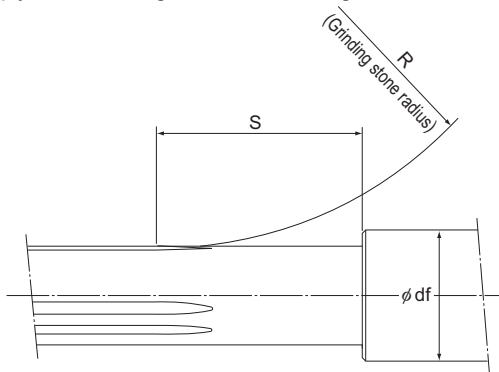


Table4 Length of Imperfect Spline Area: S Miniature type

Unit: mm

Flange diameter ϕdf	4	5	6	8	10
Nominal shaft diameter					
4	23	25	27	31	—
5	—	24	26	29	33

Standard Type

Unit: mm

Flange diameter ϕdf	6	8	10	13	16	20	25	30	40	50	60	80	100	120	140	160
Nominal shaft diameter																
6	24	28	31	39	—	—	—	—	—	—	—	—	—	—	—	—
8	—	25	29	35	41	—	—	—	—	—	—	—	—	—	—	—
10	—	—	26	31	38	45	—	—	—	—	—	—	—	—	—	—
13	—	—	—	33	39	46	56	—	—	—	—	—	—	—	—	—
16	—	—	—	—	36	47	58	67	—	—	—	—	—	—	—	—
20	—	—	—	—	—	37	50	60	76	—	—	—	—	—	—	—
25	—	—	—	—	—	—	38	51	72	88	—	—	—	—	—	—
30	—	—	—	—	—	—	—	40	62	80	95	—	—	—	—	—
40	—	—	—	—	—	—	—	—	42	63	81	107	—	—	—	—
50	—	—	—	—	—	—	—	—	—	45	65	96	118	—	—	—
60	—	—	—	—	—	—	—	—	—	—	50	87	114	134	—	—
80	—	—	—	—	—	—	—	—	—	—	—	53	89	115	135	—
100	—	—	—	—	—	—	—	—	—	—	—	—	57	90	116	136

*This table does not apply to overall length of 1,500 mm or greater. Contact THK for details.

Accessories

Ball Spline model LT is provided with a standard key as indicated in Table5.

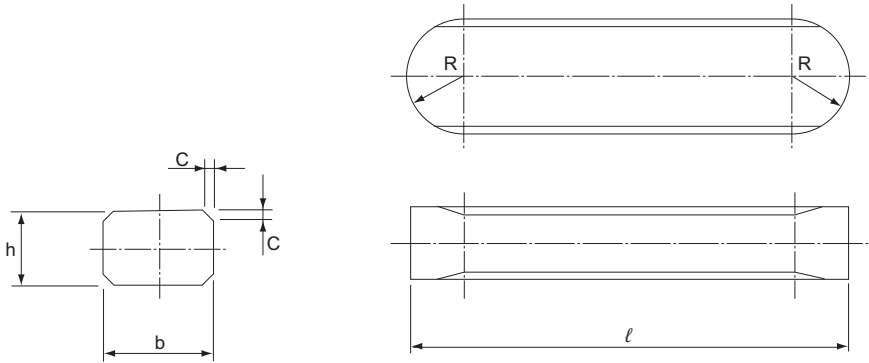


Table5 Standard Key for Model LT

Unit: mm

Nominal shaft diameter	Width b		Height h		Length ℓ		R	C
		Tolerance(p7)		Tolerance(h9)		Tolerance(h12)		
LT 4	2	+0.016 +0.006	2	0 -0.025	6	0 -0.120	1	0.3
LT 5	2.5		2.5		8	0 -0.150	1.25	0.5
LT 6 LT 8	2.5		2.5		10.5	0 -0.180	1.25	0.5
LT 10	3		3		13		1.5	
LT 13	3	3	15	1.5				
LT 16	3.5	+0.024 +0.012	3.5	0 -0.030	17.5	1.75	0.5	
LT 20	4		4		29	0 -0.210		2
LT 25	4		4		36	0 -0.250		2
LT 30	4		4		42	0 -0.250		2
LT 40	6		6		52	0 -0.300	3	0.8
LT 50	8		+0.030 +0.015		7		58	
LT 60	12	+0.036 +0.018	8	0 -0.036	67	6		
LT 80	16	+0.036 +0.018	10	0 -0.036	76	8		
LT 100	20	+0.043 +0.022	13	0 -0.043	110	0 -0.350	10	

Rotary Ball Spline

With Geared Type Models LBG and LBGT

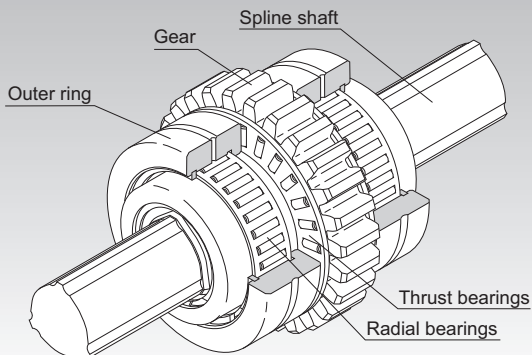


Fig.1 Structure of Rotary Ball Spline Model LBG

Point of Selection	A3-6
Point of Design	A3-111
Options	A3-113
Model No.	A3-115
Precautions on Use	A3-116
Accessories for Lubrication	A24-1
Mounting Procedure and Maintenance	B3-30
Cross-sectional Characteristics of the Spline Shaft	A3-17
Equivalent factor	A3-26
Clearance in the Rotation Direction	A3-29
Accuracy Standards	A3-33
Maximum Manufacturing Length by Accuracy	A3-109

Structure and Features

With the Rotary Ball Spline, the spline shaft has three crests, and along both sides of each crest, two rows of balls (six rows in total) are arranged to hold the crest so that a reasonable preload is applied.

These models are unit types based on model LBR, but have gear teeth on the flange circumference and radial and thrust bearings on the spline nut, all compactly integrated.

The rows of balls are held in a special resin retainer so that they smoothly roll and circulate. With this design, balls will not fall even if the spline shaft is removed.

[No Angular Backlash]

The spline shaft has three crests positioned equidistantly at 120° and along both sides of each crest, two rows of balls (six rows in total) are arranged so as to hold the crest at a contact angle of 45° and provide a preload. As a result, backlash in the rotational direction is eliminated and the rigidity is increased.

[Compact Design]

The spline nut is compactly integrated with radial and thrust bearings, allowing compact design to be achieved.

[High Rigidity]

Since the contact angle is large and an appropriate preload is given, high rigidity against torque and moment is achieved.

Use of needle bearings in the support unit achieves a rigid nut support strong against a radial load.

[Optimal for Torque Transmission with Spline Nut Drive]

Since the support bearings allow a rigid nut support, these models are optimal for torque transmission with spline nut drive.

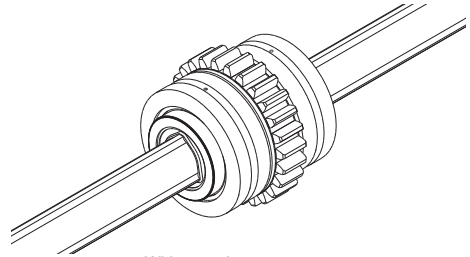
Types and Features

[Types of Spline Nuts]

Ball Spline with Gears Model LBG

Specification Table⇒ **A3-92**

These models are unit types based on model LBR, but have gear teeth on the flange circumference and radial and thrust bearings on the spline nut, all compactly integrated. It is optimal for a torque transmission mechanism with spline nut drive.

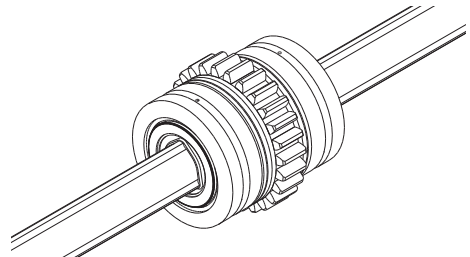


Without a thrust raceway

Ball Spline with Gears Model LBGT

Specification Table⇒ **A3-94**

These models are unit types based on model LBR, but have gear teeth on the flange circumference and radial and thrust bearings on the spline nut, all compactly integrated. It is optimal for a torque transmission mechanism with spline nut drive.



With a thrust raceway

[Types of Spline Shafts]

For details, see **A3-55**.

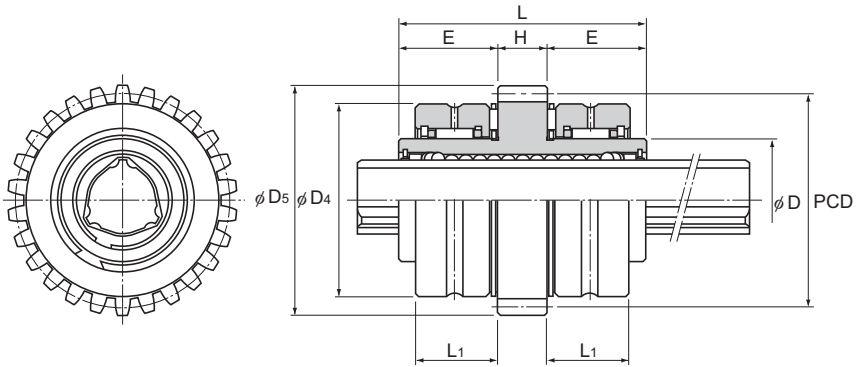
Housing Inner-diameter Tolerance

Table1 shows housing inner-diameter tolerance for models LBG and LBGT.

Table1 Housing Inner-diameter Tolerance

Housing Inner-diameter Tolerance	General conditions	H7
	When clearance needs to be small	J6

Model LBG



Model No.	Spline nut dimensions									
	Spline nut outer diameter		Length		Outer diameter		Width		H	E
	D	Tolerance	L	Tolerance	D ₄	Tolerance	L ₁	Tolerance		
● LBG 20	30	0 -0.009	60	0 -0.2	47	0 -0.011	20	0 -0.16	12	24
● LBG 25	40	0 -0.011	70		60	0 -0.013	23	0 -0.19	14	28
● LBG 30	45		80		65	27	16		32	
● LBG 40	60	0 -0.013	100	0 -0.3	85	0 -0.015	31	0 -0.25	18	41
● LBG 50	75		112		100		32		20	46
LBG 60	90	0 -0.015	127		120		38		22	52.5
● LBG 85	120		155		150	40	26		64.5	

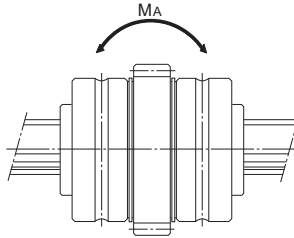
Note) ●: indicates model numbers for which felt seal types are available (see **A3-113**).

Model number coding

2 LBG50 UU CM +700L H K

2	LBG50	UU	CM	+700L	H	K
Model No.	Symbol for clearance in the rotational direction (*2)	Contamination protection accessory symbol (*1)	Accuracy symbol (*3)	Overall spline shaft length (*5) (in mm)	Symbol for standard hollow spline shaft (*4)	
Number of spline nuts on one shaft (no symbol for one nut)						

(*1) See **A3-113**. (*2) See **A3-29**. (*3) See **A3-33**. (*4) See **A3-96**. (*5) See **A3-109**.



Unit: mm

	Gear specifications*				Basic torque rating		Basic load rating		Static permissible moment	Mass	
	Tip circle diameter D_s	Standard pitch diameter PCD	Module m	Number of teeth z	C_T N-m	C_{OT} N-m	C kN	C_0 kN	M_A^{**} N-m	Spline nut unit kg	Spline shaft kg/m
	56	52	2	26	90.2	213	9.4	20.1	103	0.61	1.8
	70	65	2.5	26	176	381	14.9	28.7	171	1.4	2.7
	75	70	2.5	28	312	657	22.5	41.4	295	2.1	3.8
	96	90	3	30	696	1420	37.1	66.9	586	3	6.8
	111	105	3	35	1290	2500	55.1	94.1	941	4.1	10.6
	133	126	3.5	36	1870	3830	66.2	121	1300	6.3	15.6
	168	160	4	40	4740	9550	119	213	3180	11.8	32

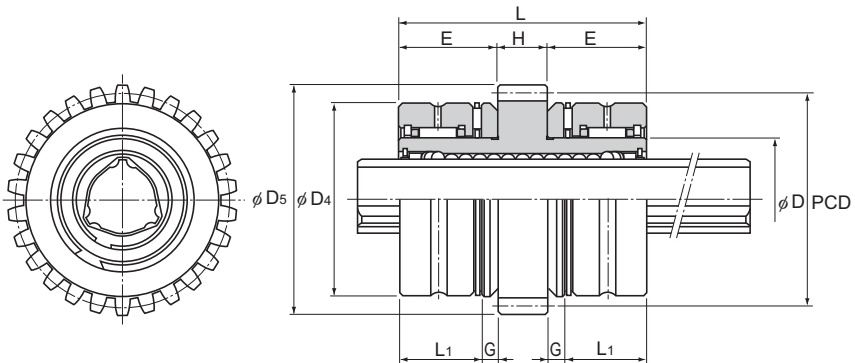
Note) *The gear specifications in the table represent the dimensions with maximum module.

Special gear types such as helical gear and worm gear can also be manufactured at your request.

** M_A indicates the permissible moment value in the axial direction when a single spline nut is used, as shown in the figure above.

For details on the maximum lengths of ball spline shafts by accuracy, please see **A3-109**.

Model LBGT



Model No.	Spline nut dimensions										
	Spline nut outer diameter		Length		Outer diameter		Width		Thrust raceway width	H	E
	D	Tolerance	L	Tolerance	D ₄	Tolerance	L ₁	Tolerance			
● LBGT 20	30	⁰ _{-0.009}	60	0 -0.2	47	⁰ _{-0.011}	20	⁰ _{-0.16}	4	12	24
● LBGT 25	40	⁰ _{-0.011}	70		60	⁰ _{-0.013}	23	⁰ _{-0.19}	5	14	28
● LBGT 30	45	⁰ _{-0.011}	80		65	⁰ _{-0.015}	27	⁰ _{-0.25}	5	16	32
● LBGT 40	60	⁰ _{-0.013}	100	0 -0.3	85	⁰ _{-0.025}	31	0 -0.25	8	18	41
● LBGT 50	75	⁰ _{-0.015}	112		100	⁰ _{-0.025}	32		10	20	46
LBGT 60	90	⁰ _{-0.015}	127		120	⁰ _{-0.025}	38		12	22	52.5
● LBGT 85	120	⁰ _{-0.015}	155	150	⁰ _{-0.025}	40	16	26	64.5		

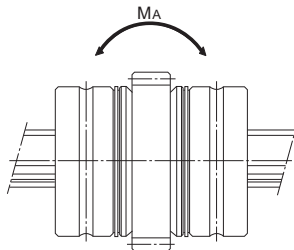
Note) ●: indicates model numbers for which felt seal types are available (see **A3-113**).

Model number coding

2 LBGT40 UU CL +700L P K

Model No. Symbol for clearance in the rotational direction ⁽²⁾ Accuracy symbol ⁽³⁾ Symbol for standard hollow spline shaft ⁽⁴⁾
 Number of spline nuts on one shaft (no symbol for one nut) ⁽¹⁾ Contamination protection accessory symbol ⁽¹⁾ Overall spline shaft length ⁽⁵⁾ (in mm)

(*1) See **A3-113**. (*2) See **A3-29**. (*3) See **A3-33**. (*4) See **A3-96**. (*5) See **A3-109**.



Unit: mm

	Gear specifications*				Basic torque rating		Basic load rating		Static permissible moment	Mass	
	Tip circle diameter D_s	Standard pitch diameter PCD	Module m	Number of teeth z	C_T N-m	C_{OT} N-m	C kN	C_0 kN	M_A^{**} N-m	Spline nut unit kg	Spline shaft kg/m
	56	52	2	26	90.2	213	9.4	20.1	103	0.67	1.8
	70	65	2.5	26	176	381	14.9	28.7	171	1.5	2.7
	75	70	2.5	28	312	657	22.5	41.4	295	2.2	3.8
	96	90	3	30	696	1420	37.1	66.9	586	3.3	6.8
	111	105	3	35	1290	2500	55.1	94.1	941	4.8	10.6
	133	126	3.5	36	1870	3830	66.2	121	1300	7.2	15.6
	168	160	4	40	4740	9550	119	213	3180	13.4	32

Note) *The gear specifications in the table represent the dimensions with maximum module.

Special gear types such as helical gear and worm gear can also be manufactured at your request.

** M_A indicates the permissible moment value in the axial direction when a single spline nut is used, as shown in the figure above.

For details on the maximum lengths of ball spline shafts by accuracy, please see **A3-109**.

Spline Shaft

Spline shafts are divided in shape into precision solid spline shaft, special spline shaft and hollow spline shaft (type K), as described on **A3-55**.

Since production of a spline shaft with a specific shape is performed at your request, provide a drawing of the desired shaft shape when asking an estimate or placing an order.

[Sectional Shape of the Spline Shaft]

Table2 shows the sectional shape of a spline shaft. If the spline shaft ends need to be cylindrical, the minor diameter (ϕd) value should not be exceeded if possible.

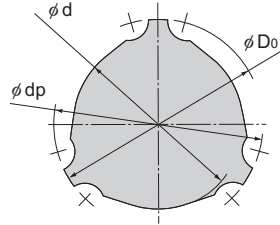


Table2 Sectional Shape of the Spline Shaft

Unit: mm

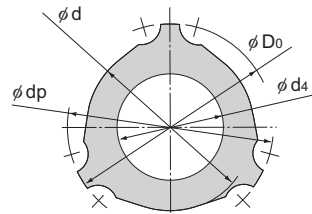
Nominal shaft diameter	20	25	30	40	50	60	85
Minor diameter ϕd	15.3	19.5	22.5	31	39	46.5	67
Major diameter ϕD_0	19.7	24.5	29.6	39.8	49.5	60	84
Ball center-to-center diameter ϕdp	20	25	30	40	50	60	85
Mass (kg/m)	1.8	2.7	3.8	6.8	10.6	15.6	32

*The minor diameter ϕd must be a value at which no groove is left after machining.

[Hole Shape of the Standard Hollow Type Spline Shaft]

Table3 shows the hole shape of the standard hollow type spline shaft (type K) for models LBG and LBG7.

Use this table when a requirement such as piping, wiring, air-vent or weight reduction needs to be met.



Type K

Table3 Sectional Shape of the Standard Hollow Type Spline Shaft

Unit: mm

Nominal shaft diameter	20	25	30	40	50	60	85
Minor diameter ϕd	15.3	19.5	22.5	31	39	46.5	67
Major diameter ϕD_0	19.7	24.5	29.6	39.8	49.5	60	84
Ball center-to-center diameter ϕdp	20	25	30	40	50	60	85
Hole diameter ϕd_h	6	8	12	18	24	30	45
Mass (kg/m)	1.6	2.3	2.9	4.9	7	10	19.5

*The minor diameter ϕd must be a value at which no groove is left after machining.

[Chamfering of the Spline Shaft Ends]

For details, see **A3-70**.

[Length of Imperfect Area of a Special Spline Shaft]

If the middle area or the end of a spline shaft is to be thicker than the minor diameter (ϕd), an imperfect spline area is required to secure a recess for grinding. Table 4 shows the relationship between the length of the incomplete section (S) and the flange diameter (ϕdf).

(This table does not apply to overall length of 1,500 mm or greater. Contact THK for details.)

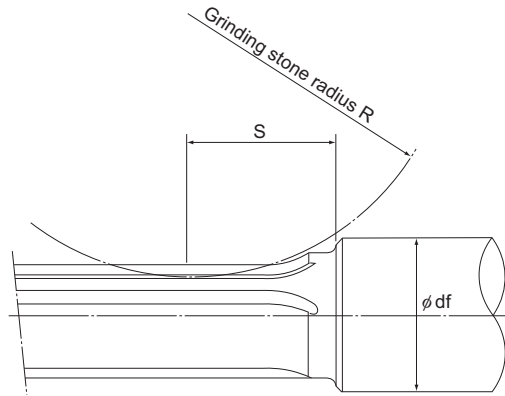


Table 4 Length of Imperfect Spline Area: S

Unit: mm

Flange diameter ϕdf	20	25	30	35	40	50	60	80	100	120	140
Nominal shaft diameter											
20	35	43	51	57	62	—	—	—	—	—	—
25	—	51	64	74	82	97	—	—	—	—	—
30	—	—	54	67	76	92	105	—	—	—	—
40	—	—	—	—	59	80	95	119	—	—	—
50	—	—	—	—	—	63	83	110	131	—	—
60	—	—	—	—	—	—	66	100	123	140	—
70	—	—	—	—	—	—	—	89	115	134	150
85	—	—	—	—	—	—	—	61	98	122	140

Rotary Ball Spline

With Support Bearing Type Models LTR and LTR-A

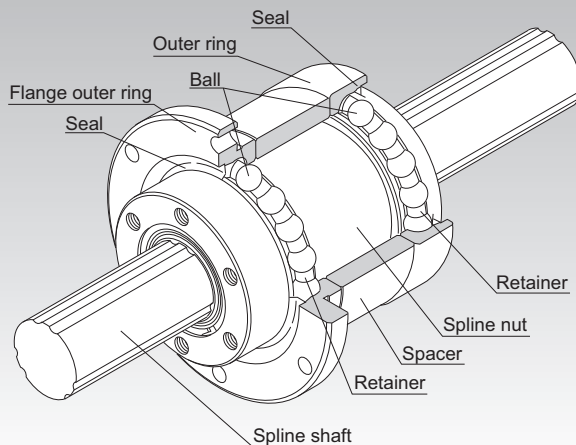


Fig.1 Structure of Rotary Ball Spline Model LTR

Point of Selection	A3-6
Point of Design	A3-111
Options	A3-113
Model No.	A3-115
Precautions on Use	A3-116
Accessories for Lubrication	A24-1
Mounting Procedure and Maintenance	B3-30
Cross-sectional Characteristics of the Spline Shaft	A3-17
Equivalent factor	A3-26
Clearance in the Rotation Direction	A3-29
Accuracy Standards	A3-33
Maximum Manufacturing Length by Accuracy	A3-109

Structure and Features

With the Rotary Ball Spline model LTR, the spline shaft has three crests on the circumference, and along both sides of each crest, two rows of balls (six rows in total) are arranged to hold the crest so that a reasonable preload is applied.

Angular-contact ball raceways are machined on the outer surface of the spline nut to constitute support bearings, allowing the whole body to be compactly and lightly designed.

The rows of balls are held in a special resin retainer so that they smoothly roll and circulate. With this design, balls will not fall even if the spline shaft is removed.

In addition, a dedicated seal for preventing foreign material from entering the support bearings is available.

[No Angular Backlash]

Two rows of balls facing one another hold a crest, formed on the circumference of the spline nut, at a contact angle of 20° to provide a preload in an angular-contact structure. This eliminates an angular backlash in the rotational direction and increases the rigidity.

[Compact Design]

The spline nut is integrated with the support bearings, allowing highly accurate, compact design to be achieved.

[Easy Installation]

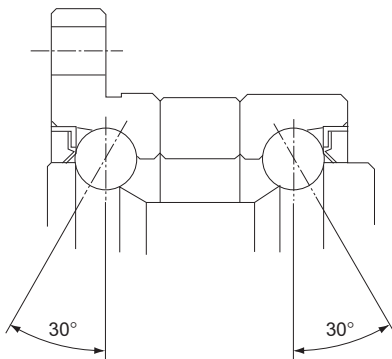
This ball spline can easily be installed by simply securing it to the housing using bolts.

[High Rigidity]

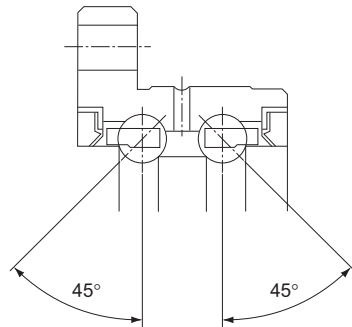
Since the contact angle is large and an appropriate preload is given, high rigidity against torque and moment is achieved.

The support bearing has a contact angle of 30° to secure high rigidity against a moment load, thus to achieve a rigid shaft support.

Model LTR-A, a compact type of LTR, has a contact angle of 45° .



Model LTR



Model LTR-A

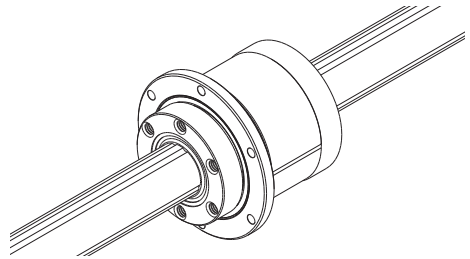
Types and Features

[Types of Spline Nuts]

Ball Spline Model LTR

Specification Table⇒ **A3-104**

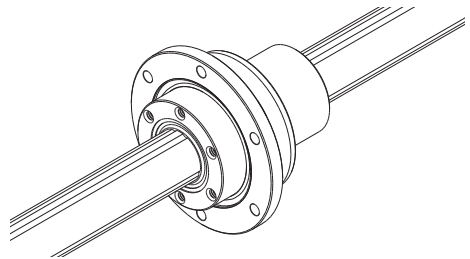
A compact unit type whose support bearings are directly integrated with the outer surface of the spline nut.



Ball Spline Model LTR-A

Specification Table⇒ **A3-102**

A compact type even smaller than LTR.



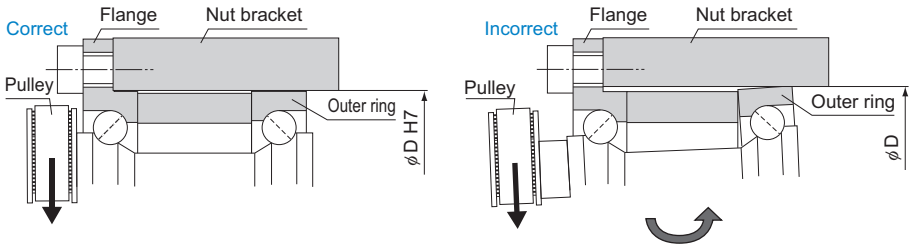
[Types of Spline Shafts]

For details, see **A3-76**.

Housing Inner-diameter Tolerance

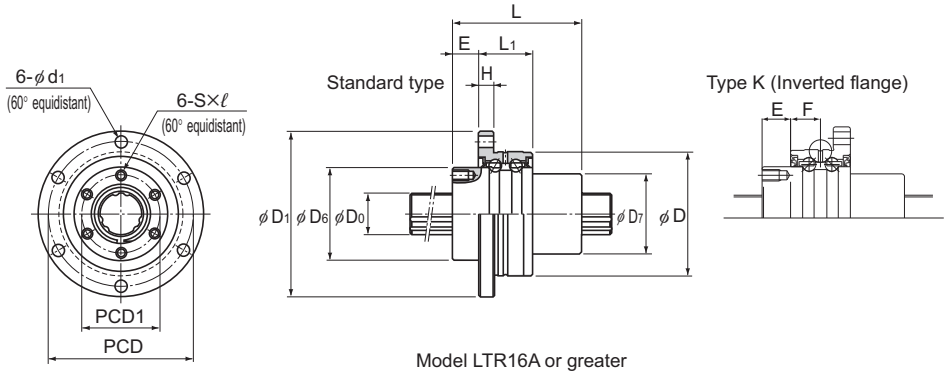
For the housing inner-diameter tolerance for model LTR, class H7 is recommended.

[Important note concerning model LTR]



Note) Because of the divided outer ring, it is necessary to incorporate inner-diameter tolerance in the nut bracket (H7 is recommended) to prevent shifting of the outer ring on the side opposite the flange.

Model LTR-A Compact Type



Model No.	Spline nut dimensions														
	Outer diameter		Length L	Flange diameter D ₁	D ₆ h7	D ₇	H	L ₁	Standard type E	Type K E	Oil hole position F	E ₁	PCD	PCD1	S × l
	D	Tolerance													
LTR8 A	32	-0.009 -0.025	25	44	24	16	3	10.5	6	8.5	4	3	38	19	M2.6 × 3
LTR10 A	36		33	48	28	21	3	10.5	9	11.5	4	—	42	23	M3 × 4
LTR16 A	48		50	64	36	31	6	21	10	10	10.5	—	56	30	M4 × 6
LTR20 A	56	-0.010 -0.029	63	72	43.5	35	6	21	12	12	10.5	—	64	36	M5 × 8
LTR25 A	66		71	86	52	42	7	25	13	13	12.5	—	75	44	M5 × 8
LTR32 A	78		80	103	63	52	8	25	17	17	12.5	—	89	54	M6 × 10
LTR40 A	100		-0.012 -0.034	100	130	79.5	64	10	33	20	20	16.5	—	113	68

Model number coding

2 LTR32 K UU ZZ CL A +500L P K

Model No.

Flange orientation symbol^(*1)

Spline nut contamination protection accessory symbol^(*2)

Number of spline nuts on one shaft (no symbol for one nut)

Symbol for clearance in the rotational direction^(*4)

Support bearings contamination protection accessory symbol^(*3)

Compact Support Type

Accuracy symbol^(*5)

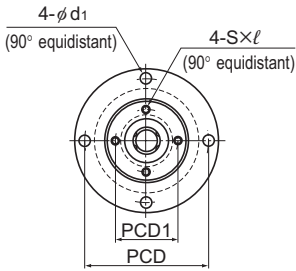
Symbol for standard hollow spline shaft^(*6)

Overall spline shaft length^(*7) (in mm)

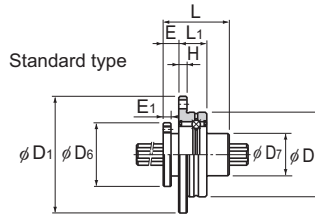
(*2) See **A3-113**. (*3) See **A3-113**. (*4) See **A3-29**. (*5) See **A3-33**. (*6) See **A3-106**. (*7) See **A3-109**.

(*1) No Symbol: standard K: flange inverted

Rotary Ball Spline

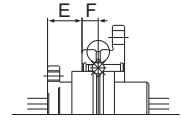


Model LTR8A Model LTR10A

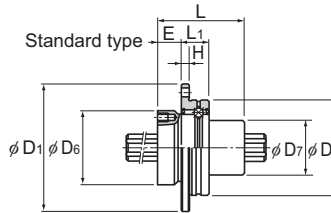


Standard type

Type K (Inverted flange)

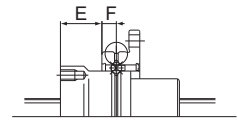


Model LTR8A



Standard type

Type K (Inverted flange)



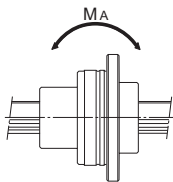
Model LTR10A

Unit: mm

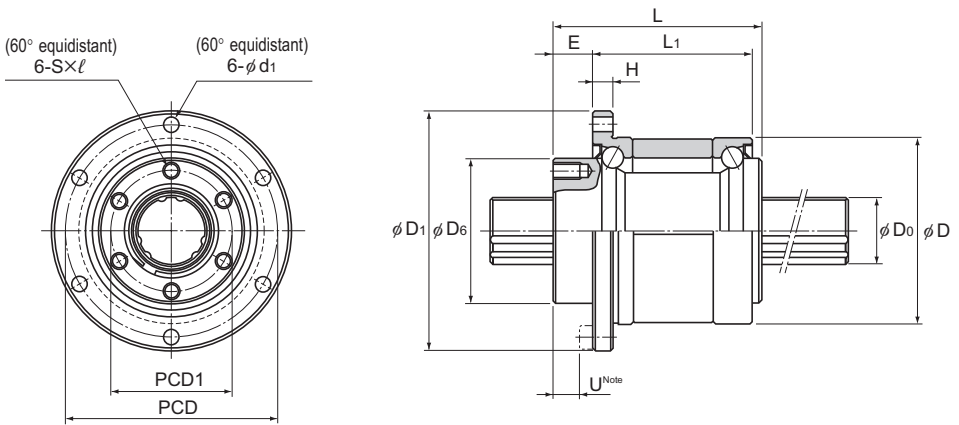
d ₁	Spline shaft diameter		Basic torque rating		Basic load rating		Static permissible moment	Support bearing basic load rating		Mass	
	D ₀ h7	Rows of balls	C _T N-m	C _{0T} N-m	C kN	C ₀ kN	M _A ** N-m	C kN	C ₀ kN	Spline Nut kg	Spline shaft kg/m
3.4	8	4	1.96	2.94	1.47	2.55	5.9	0.69	0.24	0.08	0.4
3.4	10	4	3.92	7.84	2.84	4.9	15.7	0.77	0.3	0.13	0.62
4.5	16	6	31.3	34.3	7.06	12.6	67.6	6.7	6.4	0.35	1.6
4.5	20	6	56.8	55.8	10.2	17.8	118	7.4	7.8	0.51	2.5
5.5	25	6	105	103	15.2	25.8	210	9.7	10.6	0.79	3.9
6.6	32	6	180	157	20.5	34	290	10.5	12.5	1.25	5.6
9	40	6	418	377	37.8	60.4	687	16.5	20.7	2.51	9.9

Note) **M_A indicates the permissible moment value in the axial direction when a single spline nut is used, as shown in the figure below.

For details on the maximum lengths of ball spline shafts by accuracy, please see **A3-109**.



Model LTR



Model No.	Spline nut dimensions										
	Outer diameter		Length L	Flange diameter D ₁	D _s h7	H	L ₁	E	PCD	PCD1	S × l
	D	Tolerance									
LTR 16	52	0 -0.007	50	68	39.5	5	37	10	60	32	M5 × 8
LTR 20	56		63	72	43.5	6	48	12	64	36	M5 × 8
LTR 25	62		71	78	53	6	55	13	70	45	M6 × 8
LTR 32	80		80	105	65.5	9	60	17	91	55	M6 × 10
LTR 40	100	0 -0.008	100	130	79.5	11	74	23	113	68	M6 × 10
LTR 50	120		125	156	99.5	12	97	25	136	85	M10 × 15
LTR 60	134		140	170	115	12	112	25	150	100	M10 × 15

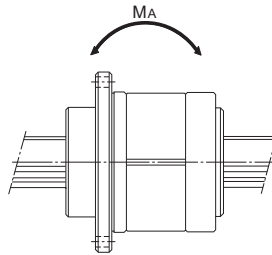
Model number coding

2 LTR50 K UU ZZ CM +1000L H K

Model No.	Flange orientation symbol ^(*1)	Symbol for clearance in the rotational direction ^(*4)	Accuracy symbol ^(*5)	Symbol for standard hollow spline shaft ^(*6)
Number of spline nuts on one shaft (no symbol for one nut)	Spline nut contamination protection accessory symbol ^(*2)	Support bearings contamination protection accessory symbol ^(*3)	Overall spline shaft length ^(*7) (in mm)	

(*2) See **A3-113**. (*3) See **A3-113**. (*4) See **A3-29**. (*5) See **A3-33**. (*6) See **A3-106**. (*7) See **A3-109**.

(*1) No Symbol: standard K: flange inverted



Unit: mm

			Spline shaft diameter		Basic torque rating		Basic load rating		Static permissible moment	Support bearing basic load rating		Mass	
	d_1	U ^{Note)}	D_0 h7	Rows of balls	C_T N-m	C_{0T} N-m	C kN	C_0 kN	M_A^{**} N-m	C kN	C_0 kN	Spline Nut kg	Spline shaft kg/m
	4.5	5	16	6	31.4	34.3	7.06	12.6	67.6	12.7	11.8	0.51	1.6
	4.5	7	20	6	56.9	55.9	10.2	17.8	118	16.3	15.5	0.7	2.5
	4.5	8	25	6	105	103	15.2	25.8	210	17.6	18	0.93	3.9
	6.6	10	32	6	180	157	20.5	34	290	20.1	24	1.8	5.6
	9	13	40	6	419	377	37.8	60.5	687	37.2	42.5	3.9	9.9
	11	13	50	6	842	769	60.9	94.5	1340	41.7	54.1	6.7	15.5
	11	13	60	6	1220	1040	73.5	111.7	1600	53.1	68.4	8.8	22.3

Note) M_A indicates the permissible moment value in the axial direction when a single spline nut is used, as shown in the figure above.

Dimension U represents the dimension from the head of the hexagonal-socket-head type bolt to the spline nut end.

For details on the maximum lengths of ball spline shafts by accuracy, please see **A3-109**.

Spline Shaft

Spline shafts are divided in shape into precision solid spline shaft, special spline shaft and hollow spline shaft (types K and N), as described on **A3-76**.

Since production of a spline shaft with a specific shape is performed at your request, provide a drawing of the desired shaft shape when asking an estimate or placing an order.

[Sectional Shape of the Spline Shaft]

Table1 shows the sectional shape of a spline shaft. If the spline shaft ends need to be cylindrical, the minor diameter (ϕd) value should not be exceeded if possible.

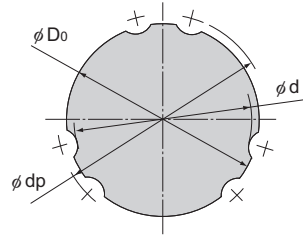


Table1 Sectional Shape of the Spline Shaft

Unit: mm

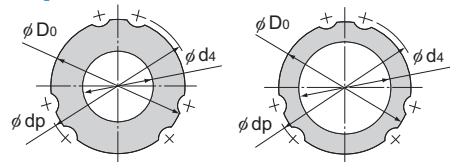
Nominal shaft diameter	8	10	16	20	25	32	40	50	60
Minor diameter ϕd	7	8.5	14.5	18.5	23	30	37.5	46.5	56.5
Major diameter ϕD_0 h7	8	10	16	20	25	32	40	50	60
Ball center-to-center diameter ϕdp	9.3	11.5	17.8	22.1	27.6	35.2	44.2	55.2	66.3
Mass (kg/m)	0.4	0.62	1.6	2.5	3.9	5.6	9.9	15.5	22.3

*The minor diameter ϕd must be a value at which no groove is left after machining.

[Hole Shape of the Standard Hollow Type Spline Shaft]

Table2 shows the hole shape of the standard hollow type spline shaft (types K and N).

Use this table when a requirement such as piping, wiring, air-vent or weight reduction needs to be met.



Type K
(Thick)

Type N
(Thin)

Table2 Sectional Shape of the Standard Hollow Type Spline Shaft

Unit: mm

Nominal shaft diameter	8	10	16	20	25	32	40	50	60	
Major diameter ϕD_0 h7	8	10	16	20	25	32	40	50	60	
Ball center-to-center diameter ϕdp	9.3	11.5	17.8	22.1	27.6	35.2	44.2	55.2	66.3	
Type K	Hole diameter ϕd_4	3	4	7	10	12	18	22	25	32
	Mass(kg/m)	0.35	0.52	1.3	1.8	3	4.3	6.9	11.6	16
Type N	Hole diameter ϕd_4	—	—	11	14	18	23	29	36	—
	Mass(kg/m)	—	—	0.8	1.3	1.9	3.1	4.7	7.4	—

Note) The standard hollow type Spline Shaft is divided into types K and N. Indicate "K" or "N" at the end of the model number to distinguish between them when placing an order.

[Chamfering of the Spline Shaft Ends]

For details, see **A3-70**.

[Length of Imperfect Area of a Special Spline Shaft]

If the middle area or the end of a spline shaft is to be thicker than the minor diameter (ϕd), an imperfect spline area is required to secure a recess for grinding. Table3 shows the relationship between the length of the incomplete section (S) and the flange diameter (ϕdf).

(This table does not apply to overall length of 1,500 mm or greater. Contact THK for details.)

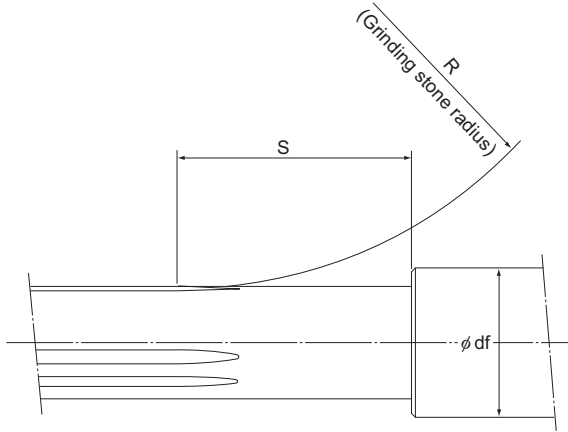


Table3 Length of Imperfect Spline Area: S

Unit: mm

Flange diameter ϕdf	6	8	10	13	16	20	25	30	40	50	60	80	100	120	140	160
Nominal shaft diameter																
8	—	25	29	35	41	—	—	—	—	—	—	—	—	—	—	—
10	—	—	26	31	38	45	—	—	—	—	—	—	—	—	—	—
16	—	—	—	—	36	47	58	67	—	—	—	—	—	—	—	—
20	—	—	—	—	—	37	50	60	76	—	—	—	—	—	—	—
25	—	—	—	—	—	—	38	51	72	88	—	—	—	—	—	—
32	—	—	—	—	—	—	—	—	40	75	88	109	—	—	—	—
40	—	—	—	—	—	—	—	—	42	63	81	107	—	—	—	—
50	—	—	—	—	—	—	—	—	—	45	65	96	118	—	—	—
60	—	—	—	—	—	—	—	—	—	—	50	87	114	134	—	—

Permissible Rotational Speed for Rotary Ball Splines

For model LTR rotary ball splines, the speed is restricted by whichever is lower of the support bearing permissible rotational speed and the critical speed of the spline. When using the product, do not exceed the permissible rotational speed.

Table4 Model LTR permissible rotational speed

Unit:min⁻¹

Model No.	Permissible Rotational Speed		
	Ball spline	Support bearing	
	Calculated using shaft length	Grease Lubrication	Oil Lubrication
LTR16	see A3-16 .	4000	5400
LTR20		3600	4900
LTR25		3200	4300
LTR32		2400	3300
LTR40		2000	2700
LTR50		1600	2200
LTR60		1400	2000

Table5 Model LTR-A permissible rotational speed

Unit:min⁻¹

Model No.	Permissible Rotational Speed		
	Ball spline	Support bearing	
	Calculated using shaft length	Grease Lubrication	Oil Lubrication
LTR8A	see A3-16 .	6900	9300
LTR10A		5900	7900
LTR16A		4000	5400
LTR20A		3600	4900
LTR25A		3200	4300
LTR32A		2400	3300
LTR40A		2000	2700

Maximum Manufacturing Length by Accuracy

Table1, Table2, Table3 and Table4 show the maximum manufacturing lengths of ball spline shafts by accuracy.

Table1 Maximum Manufacturing Length of Models SLS, SLS-L and SLF

Unit: mm

Nominal shaft diameter	Accuracy		
	Normal grade (No symbol)	High accuracy grade (H)	Precision Grade (P)
25	2000	1500	1000
30	2000	1600	1250
40	2000	2000	1500
50	3000	2000	1500
60	4000	2000	2000
70	4000	2000	2000
80	4000	2000	2000
100	4000	3000	3000

Table2 Maximum Manufacturing Length of Models LBS, LBST, LBF, LBR, LBH, LBG and LBGT by Accuracy

Unit: mm

Nominal shaft diameter	Accuracy		
	Normal grade (No symbol)	High accuracy grade (H)	Precision Grade (P)
6	200	150	100
8	600	200	150
10	600	400	300
15	1800	600	600
20	1800	700	700
25	3000	1400	1400
30	3000	1400	1400
40	3000	1400	1400
50	3000	1400	1400
60	3800	2500	2000
70	3800	2500	2000
85	3800	3000	3000
100	4000	3000	3000
120	3000	3000	3000
150	3000	3000	3000

Table3 Maximum Manufacturing Length of Model LT-X

Unit: mm

Nominal shaft diameter	Accuracy		
	Normal grade (No symbol)	High accuracy grade (H)	Precision Grade (P)
4	200	200	200
5	250	200	200
6	315	250	200

Table4 Maximum Manufacturing Length of Models LT, LF, LTR and LTR-A by Accuracy

Unit: mm

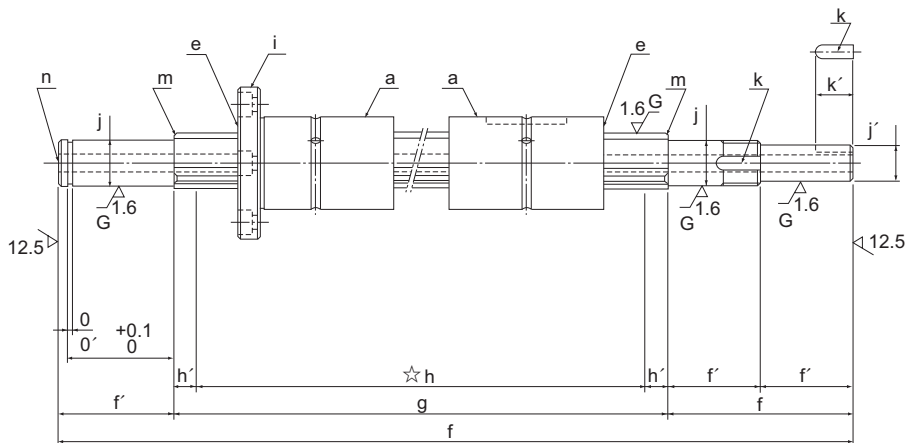
Nominal shaft diameter	Accuracy		
	Normal grade (No symbol)	High accuracy grade (H)	Precision Grade (P)
4	600	200	200
5	600	315	200
6	600	400	315
8	1000	500	400
10	1000	630	500
13	1000	800	630
16	2000	1000	1000
20	2000	1500	1000
25	3000	1500	1000
30	3000	1600	1250
40	3000	2000	1520
50	3000	2000	1500
60	4000	2000	2000
80	4000	2000	2000
100	4000	3000	3000

1. The length in the table represents the overall shaft length.
2. With standard hollow shaft type (K), the values in the table apply.
3. With standard hollow shaft type (N), the available maximum length for both the normal grade and the high accuracy grade is up to the length defined for the precision grade in the table.

Checking List for Spline Shaft End Shape

If desiring a ball spline type with its end specially machined, check the following items when placing an order.

The diagram below shows a basic configuration of the Ball Spline.



[Check Items]

- Type of the spline nut to be fit
- Number of spline nuts
- Clearance in the rotation direction
- Accuracy
- With/without a seal (for a single seal, check its orientation)
- Overall length (including all dimensions? Total value correct?)
- Effective spline length
- Hardened area (mark the location with symbol ☆ and indicate the purpose of hardening)
- Orientation of the flange (for flanged type)
- Spline shaft end shape (thicker than the minimum spline diameter?) (black, mill scale)
- Positional relationship between the spline nut and the spline shaft end shape (keyway of the spline nut, flange mounting hole)
- Indication of chamfering for each part
- Shape of chamfer on the spline shaft end (see **A3-70**)
- Intended purpose of the through hole in the spline shaft if any
- o'. Snap ring groove
- p. Maximum length
- q. Precedented or not

Housing Inner-diameter Tolerance

When fitting the spline nut to the housing, tight fitting is normally recommended. If the accuracy of the Ball Spline does not need to be very high, clearance fitting is also acceptable.

Table1 Housing Inner-diameter Tolerance

Housing Inner-diameter Tolerance	General conditions	H7
	When clearance needs to be small	J6

Note) For the housing inner-diameter tolerance of Rotary Ball Spline model LTR, H7 is recommended.

Positions of the Spline-nut Keyway and Mounting Holes

The keyways formed on the outer surface of straight nuts for Ball Spline models are positioned where balls under a load are placed as shown in Fig.1.

The flange-mounting holes of the flange types are positioned as shown in Fig.2.

When placing an order, indicate their positions in relation to the keyway or the like to be formed on the spline shaft.

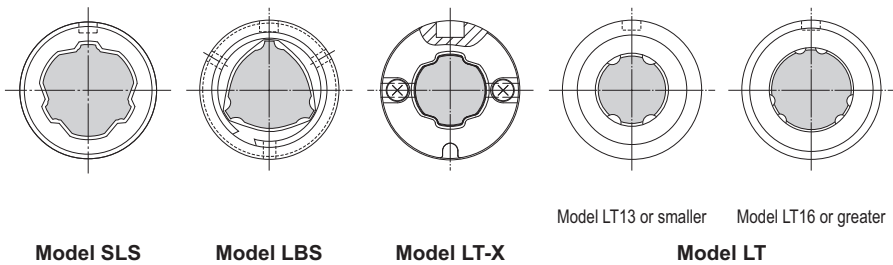


Fig.1 Positions of Keyways

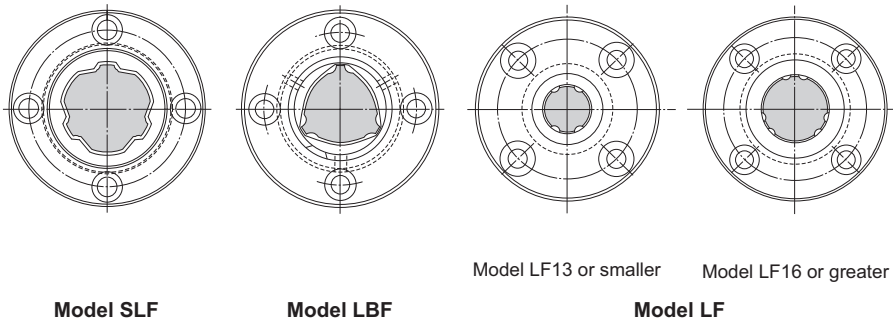


Fig.2 Positions of Flange Mounting Holes

Lubrication

To prevent foreign material from entering the spline nut and the lubricant from leaking, special synthetic resin seals with high wear resistance are available for the Ball Spline.

Spline nuts with seals (seal for both ends type UU, and seal for one end) contain high-quality lithium-soap group grease No. 2. However, if using them at high speed or with a long stroke, replenish grease of the same type through the greasing hole on the spline nut after running in.

Afterward, replenish grease of the same type as necessary according to the service conditions.

The greasing interval differs depending on the conditions. Normally, replenish the lubricant (or replace the product) roughly every 100 km of travel distance (six months to one year) as a rule of thumb.

For a Ball Spline model type without a seal, apply grease to the interior of the spline nut or to the raceways of the spline shaft.

Material and Surface Treatment

Depending on the service environment, the Ball Spline requires anticorrosive treatment or a different material. For details of anticorrosive treatment and material change, contact THK.

Contamination Protection

Entrance of dust or other foreign material into the spline nut will cause abnormal wear or shorten the service life. Therefore, it is necessary to prevent detrimental foreign material from entering the Ball Spline. When entrance of dust or other foreign material is a possibility, it is important to select effective seals and/or dust-control device that meets the environment conditions.

For the Ball Spline, a special synthetic rubber seal that is highly resistant to wear is available as a contamination protection accessory. If desiring a higher contamination protection effect, a felt seal is also available for some types. For details about the felt seal, contact THK.

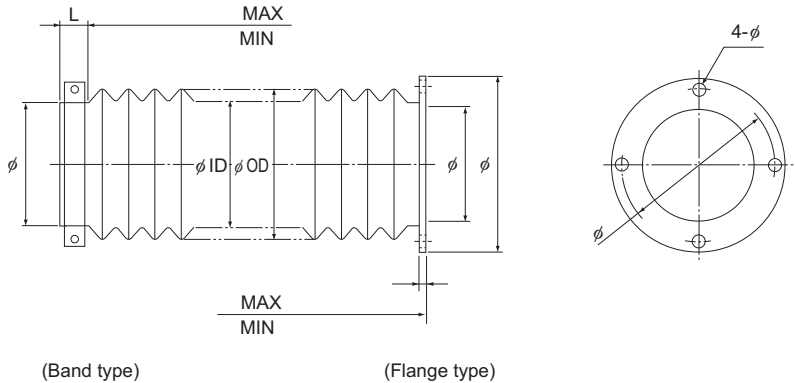
In addition, THK produces round bellows. Contact us for details.

Table1 Dust prevention accessory symbol

Symbol	Contamination protection accessory
No Symbol	Without seal
UU	Rubber seal attached on both ends of spline nut
U	Rubber seal attached on either end of spline nut
DD	Felt seal attached on both ends of spline nut
D	Felt seal attached on either end of spline nut
ZZ	Rubber seal attached on both ends of support bearings
Z	Rubber seal attached on either end of support bearings

Specifications of the Bellows

Bellows are available as a contamination protection accessory. Use this specification sheet.



Specifications of the Bellows

Supported Ball Screw models:

Dimensions of the Bellows

Stroke: () mm MAX: () mm MIN: () mm

Permissible outer diameter: (ϕ OD) Desired inner diameter: (ϕ ID)

How It Is Used

Installation direction: (horizontal, vertical, slant) Speed: () mm/sec. min.

Motion: (reciprocation, vibration)

Conditions

Resistance to oil and water: (necessary, unnecessary) Oil name ()

Chemical resistance: Name () \times () %

Location: (indoor, outdoor)

Remarks:

Number of Units To Be Manufactured:

Model Number Coding

Model number configurations differ depending on the model features. Refer to the corresponding sample model number configuration.

[Ball Spline]

- Models SLS, SLS-L, SLF, LBS, LBST, LBF, LBR, LBH, LT, LF and LT-X

2	LBS40	UU	CL	+1000L	P	K
Model No.	Contamination protection accessory symbol (*1)		Symbol for clearance in the rotational direction (*2)		Accuracy symbol (*3)	Symbol for standard hollow spline shaft (*4)
Number of spline nuts on one shaft (no symbol for one nut)				Overall spline shaft length (*5) (in mm)		

(*1) See [A3-113](#). (*2) See [A3-29](#). (*3) See [A3-33](#). (*4) See [A3-69](#). (*5) See [A3-109](#).

[Rotary Ball Spline]

- Models LTR, LTR-A, LBG and LBGT

2	LTR32	K	UU	ZZ	CL	A	+500L	P	K
Model No.	Flange orientation symbol (*1)			Symbol for clearance in the rotational direction (*4)		Compact Support Type		Accuracy symbol (*5)	
Number of spline nuts on one shaft (no symbol for one nut)	Spline nut contamination protection accessory symbol (*2)			Support bearings contamination protection accessory symbol (*3)					Symbol for standard hollow spline shaft (*6)
								Overall spline shaft length (*7) (in mm)	

(*2) See [A3-113](#). (*3) See [A3-113](#). (*4) See [A3-29](#). (*5) See [A3-33](#). (*6) See [A3-106](#). (*7) See [A3-109](#).

(*1) No Symbol: standard K: flange inversed

Precautions on Use

Ball Spline

[Handling]

- (1) Please use at least two people to move any product weighing 20 kg or more, or use a dolly or another conveyance. Doing so may cause injury or damage.
- (2) Do not disassemble the parts. This will result in loss of functionality.
- (3) Tilting a spline nut or spline shaft may cause them to fall by their own weight.
- (4) Take care not to drop or strike the Ball Spline. Doing so may cause injury or damage. Giving an impact to it could also cause damage to its function even if the product looks intact.
- (5) When assembling, do not remove the spline nut from the spline shaft.
- (6) When handling the product, wear protective gloves, safety shoes, etc., as necessary to ensure safety.

[Precautions on Use]

- (1) Prevent foreign material, such as cutting chips or coolant, from entering the product. Failure to do so may cause damage.
- (2) If the product is used in an environment where cutting chips, coolant, corrosive solvents, water, etc., may enter the product, use bellows, covers, etc., to prevent them from entering the product.
- (3) Do not use the product at temperature of 80°C or higher. Except for the heat-resistant models, exposure to higher temperatures may cause the resin/rubber parts to deform/be damaged.
- (4) If foreign material such as cutting chips adheres to the product, replenish the lubricant after cleaning the product.
- (5) Micro-strokes tend to obstruct oil film to form on the raceway in contact with the rolling element, and may lead to fretting corrosion. Take consideration using grease offering excellent fretting prevention. It is also recommended that a stroke movement corresponding to the length of the spline nut be made on a regular basis to make sure oil film is formed between the raceway and rolling element.
- (6) Do not use undue force when fitting parts (pin, key, etc.) to the product. This may generate permanent deformation on the raceway, leading to loss of functionality.
- (7) Skewing or misalignment of the spline shaft support and spline nut can shorten service life substantially. Inspect the components carefully and make sure they are mounted correctly.
- (8) The spline nut must contain all its internal rolling elements (balls) when mounted on the spline shaft. Using a spline nut with any balls removed may result in premature damage.
- (9) Please contact THK if any balls fall out of the spline nut; do not use the spline nut if any balls are missing.
- (10) To mount the spline nut on the spline shaft, first locate the alignment indicators on both components, then insert the shaft through the opening in the spline nut, without forcing it, and adjust the position until the indicators are aligned. Forcing the shaft could cause balls to fall out. When mounting a spline nut equipped with a seal or preload, first lubricate the outer surface of the spline shaft.
- (11) Manipulate the spline nut gently, using a jig, when inserting it into the housing, taking care not to strike the side plate, end cap, or seal.
- (12) If an attached component is insufficiently rigid or mounted incorrectly, the bearing load will be concentrated at one location and performance will decline significantly. Make sure the housing and base are sufficiently rigid, the anchoring bolts are strong enough, and the component is mounted correctly.
- (13) If desiring to have a flanged-type Ball Spline additionally machined, such as having a dowel pin hole, contact THK.

[Lubrication]

- (1) Thoroughly wipe off anti-rust oil and feed lubricant before using the product.
- (2) Do not combine different lubricants. Mixing lubricants can cause adverse interaction between disparate additives or other ingredients.
- (3) If the product will be exposed to constant vibration or high or low temperatures, or used in a clean room, vacuum, or other special environment, apply a lubricant suitable for both the specifications and the environment.
- (4) To lubricate a product that has no grease nipple or oil hole, apply lubricant directly to the raceway surface and execute a few preliminary strokes to ensure that the interior is fully lubricated.
- (5) Bear in mind that the Ball Spline's slide resistance is affected by changes in the consistency of the lubricant, which varies according to the temperature.
- (6) The Ball Spline may encounter increased slide resistance following lubrication, due to the lubricant's agitation resistance. Make sure to put the unit through some preliminary motions to ensure that it is fully lubricated before starting up the machine.
- (7) Excess lubricant may spatter immediately after lubrication. If necessary, wipe off any spattered grease.
- (8) Because lubricant performance declines over time, lubrication must be monitored regularly and fresh lubricant applied when needed, depending on how frequently the machine is operated.
- (9) The appropriate lubrication schedule will depend on usage conditions and the surrounding environment. In general, the unit should be lubricated after every 100 kilometers of operation (every 3 to 6 months). The actual lubrication schedule and amount of lubricant used should be determined by the condition of the machinery.
- (10) With oil lubrication, the lubricant may not always be thoroughly disseminated inside the Ball Spline, depending on its mounting position. If the preferred lubrication method is oil lubrication, please consult THK in advance.

[Storage]

When storing the Ball Spline, enclose it in a package designated by THK and store it in a room in a horizontal orientation while avoiding high temperature, low temperature and high humidity. After the product has been in storage for an extended period of time, lubricant inside may have deteriorated, so add new lubricant before use.

[Disposal]

Dispose of the product properly as industrial waste.



Ball Spline

THK General Catalog

Ball Spline

THK General Catalog

B Support Book

Features and Types	B 3-4
Features of the Ball Spline	B 3-4
• Structure and Features	B 3-4
Classification of Ball Splines.....	B 3-6
Point of Selection	B 3-8
Flowchart for Selecting a Ball Spline.....	B 3-8
• Steps for Selecting a Ball Spline	B 3-8
• Selecting a Type	B 3-10
• Studying the Spline Shaft Strength	B 3-14
• Predicting the Service Life.....	B 3-19
• Example of Calculating the Service Life....	B 3-24
Mounting Procedure and Maintenance ..	B 3-30
Assembling the Ball Spline	B 3-30
• Mounting the Spline	B 3-30
• Installing the Spline Nut	B 3-32
• Installation of the Spline Shaft.....	B 3-32
Lubrication	B 3-33
Options	B 3-34
Material and Surface Treatment	B 3-34
Contamination Protection	B 3-34
Model No.	B 3-35
• Model Number Coding	B 3-35
Precautions on Use	B 3-36

A Product Descriptions (Separate)

Classification of Ball Splines..... **A3-4**

Point of Selection **A3-6**

Flowchart for Selecting a Ball Spline..... **A3-6**

- Steps for Selecting a Ball Spline **A3-6**
- Selecting a Type **A3-8**
- Studying the Spline Shaft Strength **A3-12**
- Predicting the Service Life **A3-20**

Selecting a Preload **A3-29**

- Clearance in the Rotation Direction **A3-29**
- Preload and Rigidity **A3-29**
- Conditions and Guidelines for Selecting of a Preload .. **A3-30**

Determining the Accuracy..... **A3-33**

- Accuracy Grades **A3-33**
- Accuracy Standards **A3-33**

High Torque Caged Ball Spline

Models SLS, SLS-L and SLF..... **A3-36**

- Structure and Features **A3-37**
- Types and Features **A3-40**
- Housing Inner-diameter Tolerance **A3-41**

Dimensional Drawing, Dimensional Table

Model SLS **A3-42**

Model SLF **A3-44**

- Spline Shaft **A3-46**
- Accessories **A3-48**

High Torque Type Ball Spline

Models LBS, LBST, LBF, LBR and LBH .. **A3-50**

- Structure and Features **A3-51**
- Applications **A3-52**
- Types and Features **A3-53**
- Housing Inner-diameter Tolerance **A3-55**

Dimensional Drawing, Dimensional Table

Miniature Ball Spline..... **A3-56**

Model LBS (Medium Load Type)..... **A3-58**

Model LBST (Heavy Load Type) **A3-60**

Model LBF (Medium Load Type)..... **A3-62**

Model LBR..... **A3-64**

Model LBH..... **A3-66**

Model LBS with Recommended Shaft End Shape .. **A3-68**

- Spline Shaft **A3-69**
- Accessories **A3-72**

Medium Torque Type Ball Spline

Models LT, LF and LT-X..... **A3-74**

- Structure and Features **A3-75**

• Types and Features **A3-76**

• Housing Inner-diameter Tolerance **A3-77**

Dimensional Drawing, Dimensional Table

Model LT **A3-78**

Model LF..... **A3-80**

Model LT-X **A3-82**

Model LT with Recommended Shaft End Shape .. **A3-84**

- Spline Shaft **A3-85**
- Accessories **A3-87**

Rotary Ball Spline

With Geared Type Models LBG and LBGT .. **A3-88**

- Structure and Features **A3-89**
- Types and Features **A3-90**
- Housing Inner-diameter Tolerance **A3-91**

Dimensional Drawing, Dimensional Table

Model LBG..... **A3-92**

Model LBGT **A3-94**

- Spline Shaft **A3-96**

Rotary Ball Spline

With Support Bearing Type Models LTR and LTR-A .. **A3-98**

- Structure and Features **A3-99**
- Types and Features **A3-100**
- Housing Inner-diameter Tolerance **A3-101**

Dimensional Drawing, Dimensional Table

Model LTR-A Compact Type..... **A3-102**

Model LTR **A3-104**

- Spline Shaft **A3-106**
- Permissible Rotational Speed for Rotary Ball Splines .. **A3-108**

Maximum Manufacturing Length by Accuracy .. **A3-109**

Point of Design **A3-111**

Checking List for Spline Shaft End Shape .. **A3-111**

Housing Inner-diameter Tolerance **A3-112**

Positions of the Spline-nut Keyway and Mounting Holes .. **A3-112**

Options **A3-113**

Lubrication **A3-113**

Material and Surface Treatment **A3-113**

Contamination Protection **A3-113**

- Specifications of the Bellows **A3-114**

Model No. **A3-115**

- Model Number Coding **A3-115**

Precautions on Use **A3-116**

Features of the Ball Spline

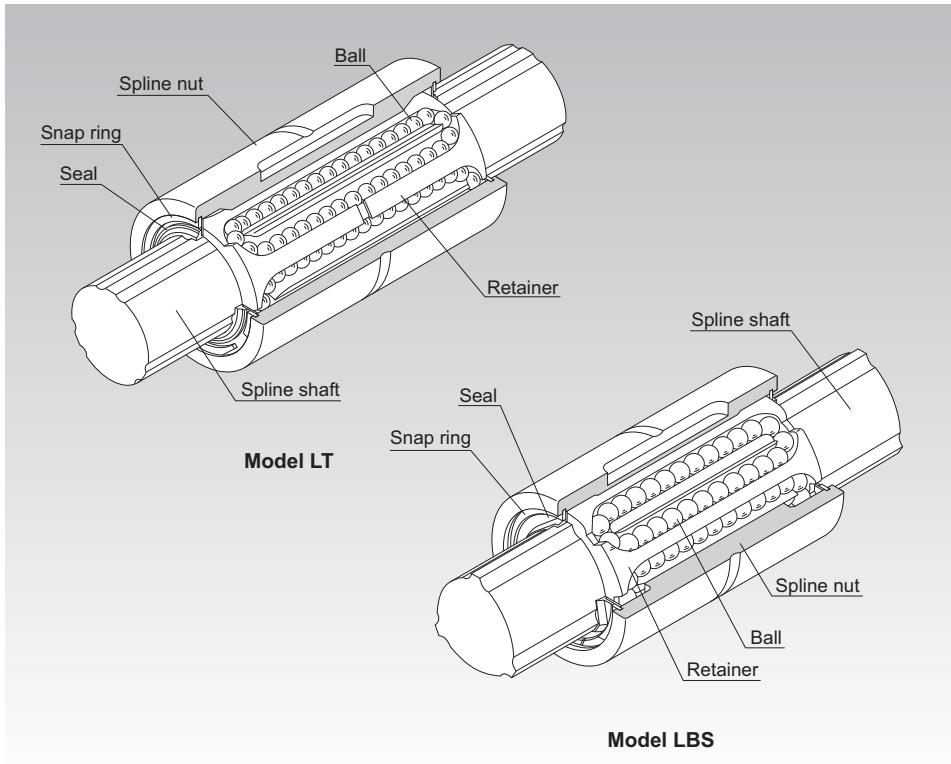


Fig.1 Structure of Ball Spline Models LBS and LT

Structure and Features

The Ball Spline is an innovative linear motion system in which balls accommodated in the spline nut transmit torque while linearly moving on precision-ground raceways on the spline shaft.

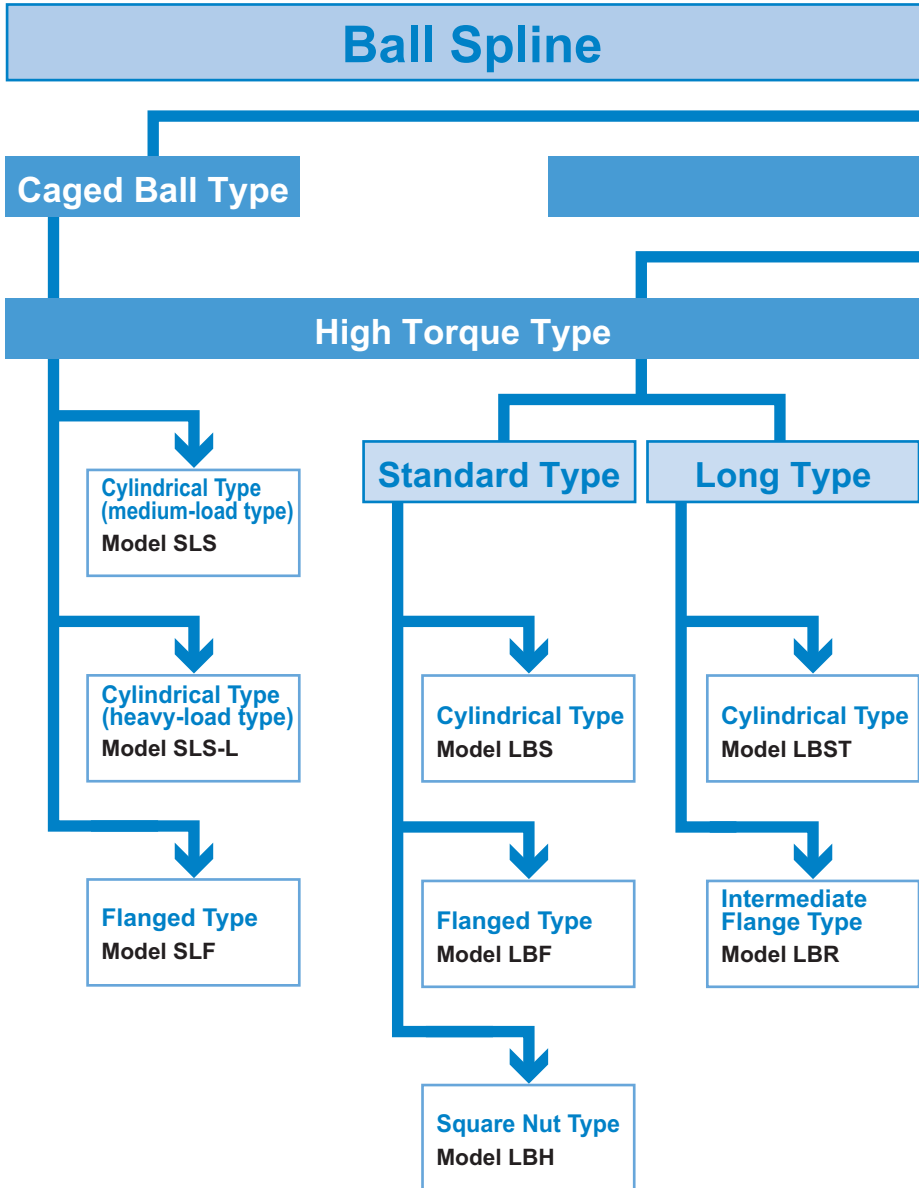
Unlike the conventional structure, a single spline nut can provide a preload with THK's Ball Spline. As a result, the Ball Spline demonstrates high performance in environments subject to vibrations and impact loads, locations where a high level of positioning accuracy is required or areas where high-speed kinetic performance is required.

In addition, even when used as an alternative to a linear bushing, the Ball Spline achieves a rated load more than 10 times greater than the linear bushing with the same shaft diameter, allowing it to compactly be designed and used in locations where an overhung load or a moment load is applied. Thus, the Ball Spline provides a high degree of safety factor and long service life.

Features and Types

Features of the Ball Spline

Classification of Ball Splines



Full-ball Type

Medium Torque Type

Cylindrical Type
Model LT

Flanged Type
Model LF

Miniature type
Model LT-X

Rotary Type

With Geared Type

Standard Type
Model LBG

**With a Thrust
Raceway Type**
Model LBGT

With Support Bearing Type

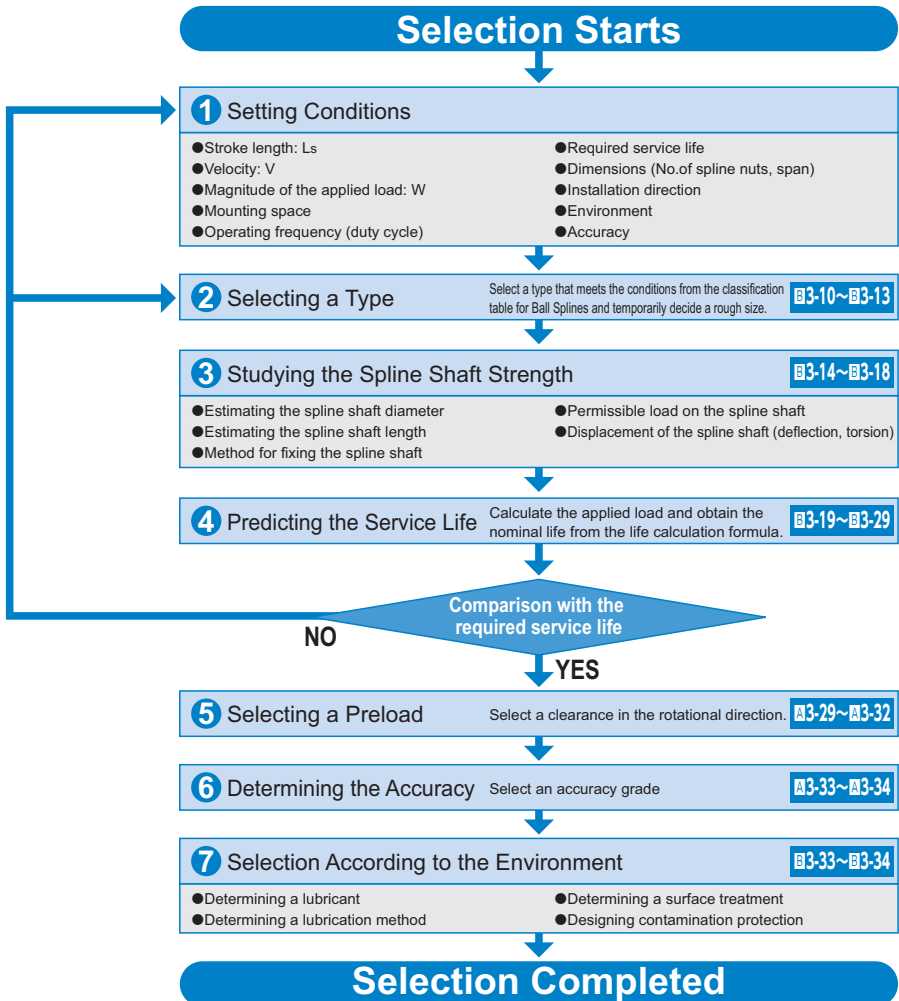
Standard Type
Model LTR

Compact Type
Model LTR-A

Flowchart for Selecting a Ball Spline

Steps for Selecting a Ball Spline

The following is a flowchart to reference when selecting a Ball Spline.



Point of Selection

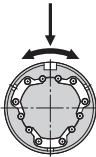
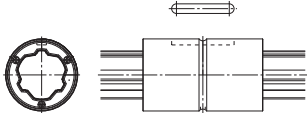
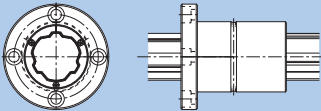
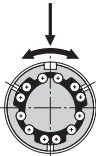
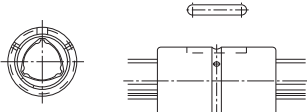
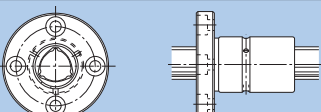
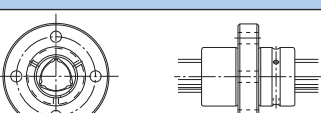
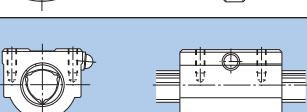
Flowchart for Selecting a Ball Spline



Ball Spline

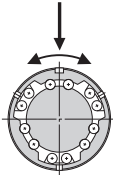
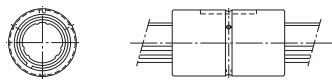
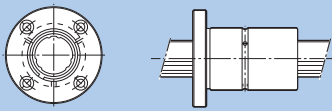
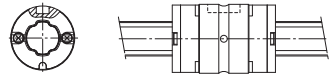
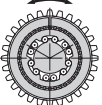
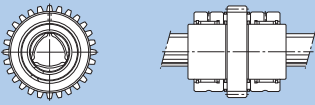

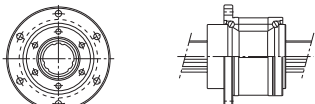
Selecting a Type

There are three types of the Ball Spline: high torque type, medium torque type and rotary type. You can choose a type according to the intended use. In addition, wide arrays of spline nut shapes are available for each type, enabling the user to choose a desired shape according to the mounting or service requirements.

Classification		Type	Shape	Shaft diameter
High torque Caged Ball type		Type SLS Type SLS-L		Nominal shaft diameter 25 to 100mm
		Type SLF		Nominal shaft diameter 25 to 100mm
High torque type		Type LBS Type LBST		Nominal shaft diameter 6 to 150mm
		Type LBF		Nominal shaft diameter 15 to 100mm
		Type LBR		Nominal shaft diameter 15 to 100mm
		Type LBH		Nominal shaft diameter 15 to 50mm

*For the specification table for each model, please see "Product Descriptions."

Specification Table	Structure and features	Major application
A3-42	<ul style="list-style-type: none"> ● Redesigning the shape of the conventional high torque type spline shaft to be more circular significantly improves its torsion and flexural rigidity. ● Models SLS/SLF adopt the caged-ball technology to enable the circulating motion of evenly spaced balls to be maintained and high-speed response to be achieved, the cycle time of the machine can be improved. ● Models SLS/SLF adopt the caged-ball technology, they eliminate collision and mutual friction between balls, and realize low noise, pleasant running sound and low particle generation. ● Models SLS/SLF adopt the caged-ball technology to substantially increase the grease retention, thus achieving long-term maintenance-free operation. ● Models SLS/SLF adopt the caged-ball technology and a new circulation method, thus achieving stable and smooth motion with small rolling fluctuation. 	<ul style="list-style-type: none"> ● Column and arm of industrial robot ● Automatic loader ● Transfer machine ● Automatic conveyance system ● Tire molding machine ● Spindle of spot-welding machine ● Guide shaft of high-speed automatic coating machine ● Riveting machine ● Wire winder ● Work head of electric discharge machine ● Spindle drive shaft of grinding machine ● Speed gears ● Precision indexing machine
A3-44		
A3-56	<ul style="list-style-type: none"> ● The spline shaft has three crests equidistantly formed at angles of 120°. On both sides of each crest, two rows (six rows in total) of balls are arranged to hold the crest from both sides. The angular-contact design of the ball contact areas allows an appropriate preload to be evenly applied. ● Since the balls circulate inside the spline nut, the outer dimensions of the spline nut are compactly designed. ● Even under a large preload, smooth straight motion is achieved. ● Since the contact angle is large (45°) and the displacement is minimal, high rigidity is achieved. ● No angular backlash occurs. ● Capable of transmitting a large torque. 	
A3-62		
A3-64		
A3-66		

Classification		Type	Shape	Shaft diameter
Medium torque type		Type LT		Nominal shaft diameter 4 to 100mm
		Type LF		Nominal shaft diameter 6 to 50mm
		Type LT-X		Nominal shaft diameter 4 to 6mm
Rotary type	Rotation 	Type LBG Type LBGT		Nominal shaft diameter 20 to 85mm
	Rotation 	Type LTR-A Type LTR		Nominal shaft diameter 8 to 60mm

*For the specification table for each model, please see "Product Descriptions."

Point of Selection

Selecting a Type

Specification Table	Structure and features	Major application	
A3-78	<ul style="list-style-type: none"> The spline shaft has two to three crests. On both sides of each crest, two rows (four to six rows in total) of balls are arranged to hold the crest from both sides. This design allows an appropriate preload to be evenly applied. The contact angle of 20° and an appropriate preload level eliminate angular backlash, providing high-torque moment rigidity. 	<ul style="list-style-type: none"> Die-set shaft and similar applications requiring straight motion under a heavy load Loading system and similar applications requiring rotation to a given angle at a fixed position Automatic gas-welding machine spindle and similar applications requiring a whirl-stop on one shaft 	<ul style="list-style-type: none"> Column and arm of industrial robot Spot-welding machine Riveting machine Book-binding machine Automatic filler XY recorders Automatic spinner Optical measuring instrument
A3-80			
A3-82	<ul style="list-style-type: none"> The length and external diameter of the LT-X ball spline's outer cylinder are the same as those of an LM-series linear bush, enabling the user to replace a linear bush with the LT-X. 		
A3-92	<ul style="list-style-type: none"> A unit type that has the same contact structure as model LBS. The flange circumference on the spline nut is machined to have gear teeth, and radial and thrust needle bearings are compactly combined on the circumference of the spline nut. 	<ul style="list-style-type: none"> Speed gears for high torque transmission 	
A3-102	<ul style="list-style-type: none"> A lightweight and compact type based on model LT, but has a spline nut circumference machined to have angular-contact type ball raceways to accommodate support bearings. 	<ul style="list-style-type: none"> Z axis of scalar robot Wire winder 	

Studying the Spline Shaft Strength

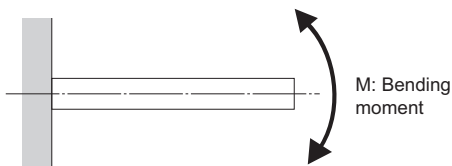
The spline shaft of the Ball Spline is a compound shaft capable of receiving a radial load and torque. When the load and torque are large, the spline shaft strength must be taken into account.

[Spline Shaft Receiving a Bending Load]

When a bending load is applied to the spline shaft of a Ball Spline, obtain the spline shaft diameter using the equation (1) below.

$$M = \sigma \cdot Z \quad \text{and} \quad Z = \frac{M}{\sigma} \quad \dots\dots\dots(1)$$

- M : Maximum bending moment acting on the spline shaft (N-mm)
 σ : Permissible bending stress of the spline shaft (98N/mm²)
 Z : Modulus section factor of the spline shaft (mm³)
 (see Table3 on **A3-17**, Table4 on **A3-18** and Table5 on **A3-19**)



[Reference] Section Modulus (Solid Circle)

$$Z = \frac{\pi \cdot d^3}{32}$$

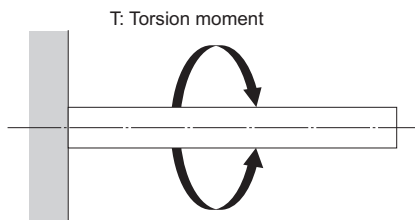
- Z : Section Modulus (mm³)
 d : Shaft outer diameter (mm)

[Spline Shaft Receiving a Torsion Load]

When a torsion load is applied on the spline shaft of a Ball Spline, obtain the spline shaft diameter using the equation (2) below.

$$T = \tau_a \cdot Z_P \quad \text{and} \quad Z_P = \frac{T}{\tau_a} \quad \dots\dots\dots(2)$$

- T : Maximum torsion moment (N-mm)
 τ_a : Permissible torsion stress of the spline shaft (49N/mm²)
 Z_P : Polar modulus of section of the spline nut (mm³)
 (see Table3 on **A3-17**, Table4 on **A3-18** and Table5 on **A3-19**)



[Reference] Section Modulus (Solid Circle)

$$Z_P = \frac{\pi \cdot d^3}{16}$$

- Z_P : Section modulus (mm³)
 d : Shaft outer diameter (mm)

[When the Spline Shaft Simultaneously Receives a Bending Load and a Torsion Load]

When the spline shaft of a Ball Spline receives a bending load and a torsion load simultaneously, calculate two separate spline shaft diameters: one for the equivalent bending moment (M_e) and the other for the equivalent torsion moment (T_e). Then, use the greater value as the spline shaft diameter.

Equivalent bending moment

$$M_e = \frac{M + \sqrt{M^2 + T^2}}{2} = \frac{M}{2} \left\{ 1 + \sqrt{1 + \left(\frac{T}{M}\right)^2} \right\} \dots\dots\dots(3)$$

$$M_e = \sigma \cdot Z$$

Equivalent torsion moment

$$T_e = \sqrt{M^2 + T^2} = M \cdot \sqrt{1 + \left(\frac{T}{M}\right)^2} \dots\dots\dots(4)$$

$$T_e = \tau_a \cdot Z_p$$

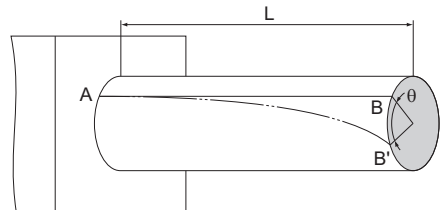
[Rigidity of the Spline Shaft]

The rigidity of the spline shaft is expressed as a torsion angle per meter of shaft length. Its value should be limited within $1^\circ/4$.

$$\theta = 57.3 \times \frac{T \cdot L}{G \cdot I_p} \dots\dots\dots(5)$$

$$\text{Rigidity of the shaft} = \frac{\text{Torsion angle}}{\text{Unit length}} = \frac{\theta \cdot \ell}{L} < \frac{1^\circ}{4}$$

- θ : Torsion angle (°)
 L : Spline shaft length (mm)
 G : Transverse elastic modulus (7.9 × 10⁴ N/mm²)
 ℓ : Unit length (1000mm)
 I_p : Polar moment of inertia (mm⁴)
 (see Table3 on **A3-17**, Table4 on **A3-18** and Table5 on **A3-19**)



[Deflection and Deflection Angle of the Spline Shaft]

The deflection and deflection angle of the Ball Spline shaft need to be calculated using equations that meet the relevant conditions. Table1 and Table2 represent these conditions and the corresponding equations.

Table3 on **A3-17**, Table4 on **A3-18** and Table5 on **A3-19** show the modulus section (Z) and the geometrical moments of inertia (I) of the spline shaft. Using Z and I values in the tables, the strength and displacement (deflection) of a typical Ball Spline model can be obtained.

Table1 Deflection and Deflection Angle Equations

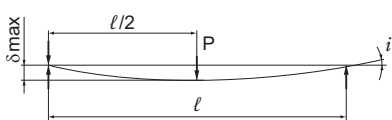
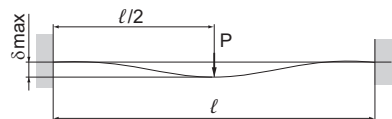
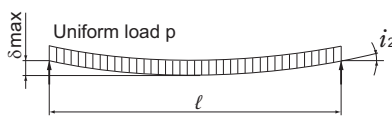
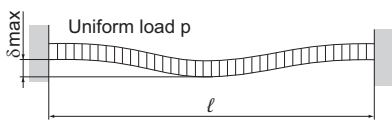
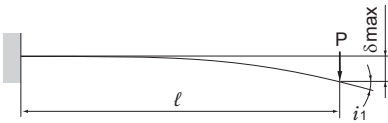
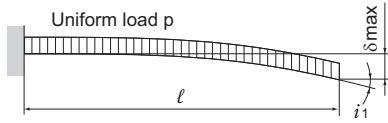
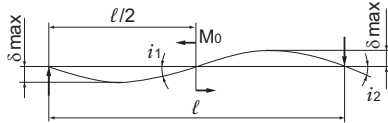
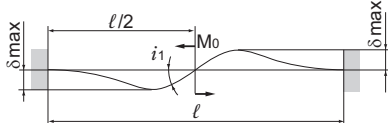
Support method	Condition	Deflection equation	Deflection angle equation
Both ends free		$\delta_{\max} = \frac{Pl^3}{48EI}$	$i_1 = 0$ $i_2 = \frac{Pl^2}{16EI}$
Both ends fastened		$\delta_{\max} = \frac{Pl^3}{192EI}$	$i_1 = 0$ $i_2 = 0$
Both ends free		$\delta_{\max} = \frac{5pl^4}{384EI}$	$i_2 = \frac{pl^3}{24EI}$
Both ends fastened		$\delta_{\max} = \frac{pl^4}{384EI}$	$i_2 = 0$

Table2 Deflection and Deflection Angle Equations

Support method	Condition	Deflection equation	Deflection angle equation
One end fastened		$\delta_{\max} = \frac{P\ell^3}{3EI}$	$i_1 = \frac{P\ell^2}{2EI}$ $i_2 = 0$
One end fastened		$\delta_{\max} = \frac{p\ell^4}{8EI}$	$i_1 = \frac{p\ell^3}{6EI}$ $i_2 = 0$
Both ends free		$\delta_{\max} = \frac{\sqrt{3}M_0\ell^2}{216EI}$	$i_1 = \frac{M_0\ell}{12EI}$ $i_2 = \frac{M_0\ell}{24EI}$
Both ends fastened		$\delta_{\max} = \frac{M_0\ell^2}{216EI}$	$i_1 = \frac{M_0\ell}{16EI}$ $i_2 = 0$

 δ_{\max} : Maximum deflection (mm) M_0 : Moment (N-mm) ℓ : Span (mm)I: Geometrical moment of inertia (mm⁴) i_1 : Deflection angle at loading point i_2 : Deflection angle at supporting point

P: Concentrated load (N)

p: Uniform load (N/mm)

E: Modulus of longitudinal elasticity 2.06×10^5 (N/mm²)

[Dangerous Speed of the Spline Shaft]

When a Ball Spline shaft is used to transmit power while rotating, as the rotational speed of the shaft increases, the rotation cycle nears the natural frequency of the spline shaft. It may cause resonance and eventually result in inability to move. Therefore, the maximum rotational speed of the shaft must be limited to below the dangerous speed that does not cause resonance.

The dangerous speed of the spline shaft is obtained using the equation (6).

(0.8 is multiplied as a safety factor)

If the shaft's rotation cycle exceeds or nears the resonance point during operation, it is necessary to reconsider the spline shaft diameter.

● Dangerous Speed

$$N_c = \frac{60\lambda^2}{2\pi \cdot l_b^2} \cdot \sqrt{\frac{E \times 10^3 \cdot I}{\gamma \cdot A}} \times 0.8 \quad \dots (6)$$

N_c : Dangerous speed (min⁻¹)

l_b : Distance between two mounting surfaces (mm)

E : Young's modulus (2.06 × 10⁵ N/mm²)

I : Minimum geometrical moment of inertia of the shaft (mm⁴)

$$I = \frac{\pi}{64} d^4 \quad d: \text{Minor diameter (mm)}$$

(see Table8, Table9 and Table10 on **A3-23**)

γ : Density (specific gravity)
(7.85 × 10⁻⁶kg/mm³)

$$A = \frac{\pi}{4} d^2 \quad d: \text{Minor diameter (mm)}$$

(see Table8, Table9 and Table10 on **A3-23**)

A : Spline shaft cross-sectional area (mm²)

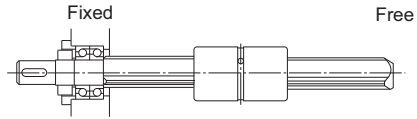
λ : Factor according to the mounting method

(1) Fixed - free $\lambda=1.875$

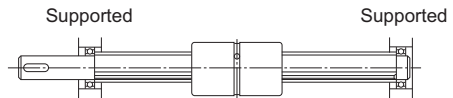
(2) Supported - supported $\lambda=3.142$

(3) Fixed - supported $\lambda=3.927$

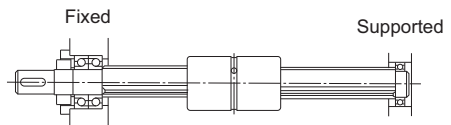
(4) Fixed - fixed $\lambda=4.73$



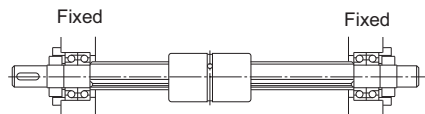
Fixed - free



Supported - supported



Fixed - supported



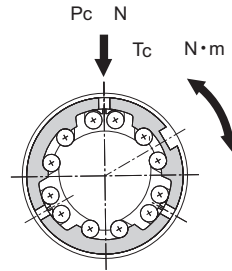
Fixed - fixed

Predicting the Service Life

[Nominal Life]

The service life of a Ball Spline varies from unit to unit even if they are manufactured through the same process and used in the same operating conditions. Therefore, the nominal life defined below is normally used as a guidepost for obtaining the service life of a Ball Spline.

Nominal life is the total travel distance that 90% of a group of identical ball splines independently operating under the same conditions can achieve without showing flaking (scale-like pieces on a metal surface).



[Calculating the Nominal Life]

The nominal life of a Ball Spline varies with types of loads applied during operation: torque load, radial load and moment load. The corresponding nominal life values are obtained using the equations (7) to (10) below. (The basic load ratings in these loading directions are indicated in the specification table for the corresponding model number.)

● When a Torque Load is Applied

$$L = \left(\frac{f_T \cdot f_c}{f_w} \cdot \frac{C_T}{T_c} \right)^3 \times 50 \quad \dots\dots\dots (7)$$

● When a Radial Load is Applied

$$L = \left(\frac{f_r \cdot f_c}{f_w} \cdot \frac{C}{P_c} \right)^3 \times 50 \quad \dots\dots\dots (8)$$

- L : Nominal life (km)
 C_T : Basic dynamic torque rating (N-m)
 T_c : Calculated torque applied (N-m)
 C : Basic dynamic load rating (N)
 P_c : Calculated radial load (N)
 f_T : Temperature factor
 (see Fig.1 on [B3-21](#))
 f_c : Contact factor
 (see Table3 on [B3-21](#))
 f_w : Load factor (see Table4 on [B3-21](#))

● When a Torque Load and a Radial Load are Simultaneously Applied

When a torque load and a radial load are simultaneously applied, calculate the nominal life by obtaining the equivalent radial load using the equation (9) below.

$$P_E = P_c + \frac{4 \cdot T_c \times 10^3}{i \cdot dp \cdot \cos \alpha} \quad \dots\dots\dots(9)$$

P_E : Equivalent radial load (N)

$\cos \alpha$: Contact angle i = Number of rows of balls under a load

Type LBS $\alpha=45^\circ$	$i=2$ (LBS10 or smaller)	Type SLS $\alpha=40^\circ$	$i=3$
	$i=3$ (LBS15 or greater)		
Type LT $\alpha=70^\circ$	$i=2$ (LT13 or smaller)	Type LT-X $\alpha=65^\circ$	$i=2$
	$i=3$ (LT16 or greater)		

dp : Ball center-to-center diameter (mm)
(see Table8, Table9 and Table10 on **A3-23**)

● When a Moment Load is Applied to a Single Nut or Two Nuts in Close Contact with Each Other

Obtain the equivalent radial load using the equation (10) below.

$$P_u = K \cdot M \quad \dots\dots\dots(10)$$

P_u : Equivalent radial load (N)
(with a moment applied)

K : Equivalent Factors
(see Table12 on **A3-26**, Table13 on **A3-27**, Table14 and Table15 on **A3-28**)

M : Applied moment (N-mm)

However, M should be within the range of the static permissible moment.

● When a Moment Load and a Radial Load are Simultaneously Applied

Calculated the nominal life from the sum of the radial load and the equivalent radial load.

● Calculating the Service Life Time

When the nominal life (L) has been obtained in the equation above, if the stroke length and the number of reciprocations per minute are constant, the service life time is obtained using the equation (11) below.

$$L_h = \frac{L \times 10^3}{2 \times l_s \times n_1 \times 60} \quad \dots\dots\dots(11)$$

L_h : Service life time (h)

l_s : Stroke length (m)

n_1 : Number of reciprocations per minute (min⁻¹)

■ f_t : Temperature Factor

If the temperature of the environment surrounding the operating Ball Spline exceeds 100°C , take into account the adverse effect of the high temperature and multiply the basic load ratings by the temperature factor indicated in Fig.1.

In addition, the Ball Spline must be of a high temperature type.

Note) If the environment temperature exceeds 80°C , high-temperature types of seal and retainer are required. Contact THK for details.

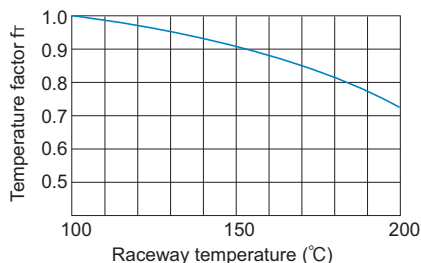


Fig.1 Temperature Factor (f_t)

■ f_c : Contact Factor

When multiple spline nuts are used in close contact with each other, their linear motion is affected by moments and mounting accuracy, making it difficult to achieve uniform load distribution. In such applications, multiply the basic load rating (C) and (C_0) by the corresponding contact factor in Table3.

Note) If uneven load distribution is expected in a large machine, take into account the respective contact factor indicated in Table3.

Table3 Contact Factor (f_c)

Number of spline nuts in close contact with each other	Contact factor f_c
2	0.81
3	0.72
4	0.66
5	0.61
Normal use	1

■ f_w : Load Factor

In general, reciprocating machines tend to involve vibrations or impact during operation. It is extremely difficult to accurately determine vibrations generated during high-speed operation and impact during frequent start and stop. When loads applied on a Ball Spline cannot be measured, or when speed and impact have a significant influence, divide the basic load rating (C or C_0), by the corresponding load factor in the table of empirically obtained data on Table4.

Table4 Load Factor (f_w)

Vibrations/impact	Speed (V)	f_w
Faint	Very low $V \leq 0.25\text{m/s}$	1 to 1.2
Weak	Slow $0.25 < V \leq 1\text{m/s}$	1.2 to 1.5
Medium	Medium $1 < V \leq 2\text{m/s}$	1.5 to 2
Strong	High $V > 2\text{m/s}$	2 to 3.5

[Calculating the Average Load]

When the load applied on the spline shaft fluctuates according to varying conditions, such as an industrial robot arm traveling forward while holding a workpiece and traveling backward with empty weight, and a machine tool handling various workpieces, this varying load condition must be taken into account in service life calculation.

The average load (P_m) is a constant load under which the service life of an operating Ball Spline with its spline nut receiving a fluctuation load in varying conditions is equivalent to the service life under this varying load condition.

The following is the basic equation.

$$P_m = \sqrt[3]{\frac{1}{L} \cdot \sum_{n=1}^n (P_n^3 \cdot L_n)}$$

P_m : Average Load (N)

P_n : Varying load (N)

L : Total travel distance (mm)

L_n : Distance traveled under P_n (mm)

● When the Load Fluctuates Stepwise

$$P_m = \sqrt[3]{\frac{1}{L} (P_1^3 \cdot L_1 + P_2^3 \cdot L_2 + \dots + P_n^3 \cdot L_n)} \dots\dots\dots(12)$$

P_m : Average Load (N)

P_n : Varying load (N)

L : Total travel distance (m)

L_n : Distance traveled under load P_n (m)

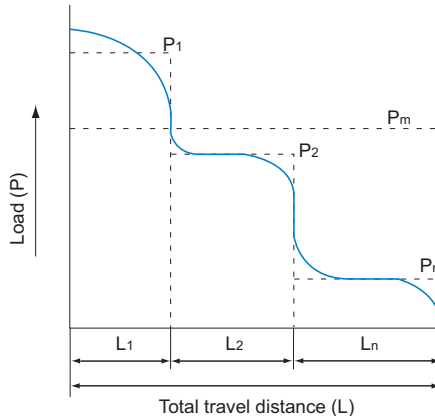


Fig.2

● When the Load Fluctuates Monotonically

$$P_m \doteq \frac{1}{3} (P_{min} + 2 \cdot P_{max}) \dots\dots\dots (13)$$

P_{min} : Minimum load (N)
 P_{max} : Maximum load (N)

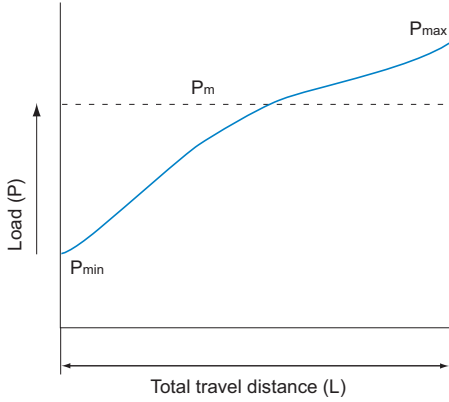


Fig.3

● When the Load Fluctuates Sinusoidally

(a) $P_m \doteq 0.65P_{max} \dots\dots\dots (14)$

(b) $P_m \doteq 0.75P_{max} \dots\dots\dots (15)$

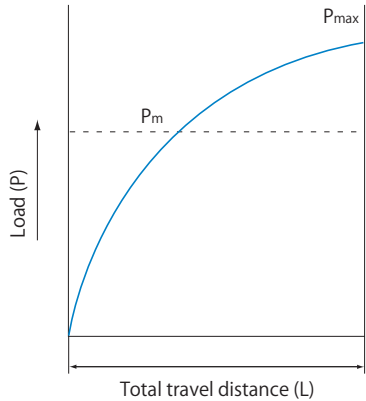
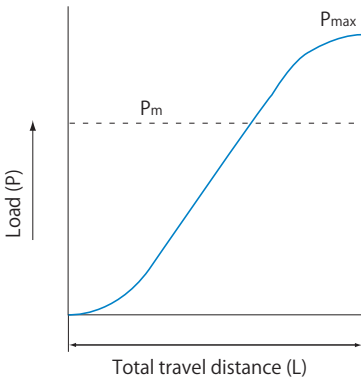


Fig.4

[Equivalent Factor]

Table12 on **A3-26**, Table13 on **A3-27**, Table14 and Table15 on **A3-28** show equivalent radial load factors calculated under a moment load.

Example of Calculating the Service Life

● Example of Calculation - 1

An industrial robot arm (horizontal)

[Conditions]

Mass applied to the arm end $m=50\text{kg}$

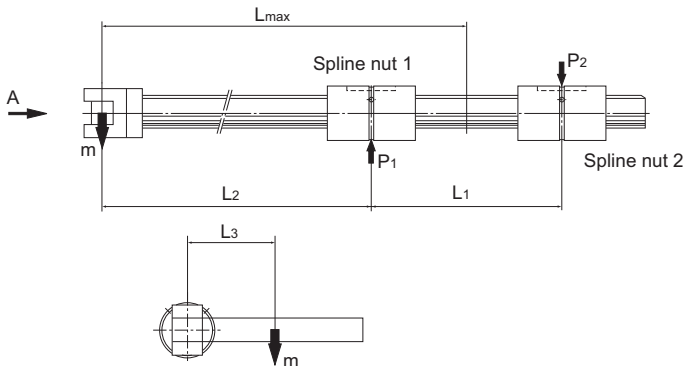
Arm length at maximum stroke $L_{\text{max}}=400\text{mm}$

Stroke $l_s=200\text{mm}$

$L_2=325\text{mm}$

Spline nut mounting span (estimate) $L_1=150\text{mm}$

$L_3=50\text{mm}$



A arrow view

(The Ball Spline type is LBS in this example.)

Fig.5

■ Shaft Strength Calculation

Calculate the bending moment (M) and the torsion moment (T) applied on the shaft.

$$M = m \times 9.8 \times L_{\text{max}} = 196000 \text{ N} \cdot \text{mm}$$

$$T = m \times 9.8 \times L_3 = 24500 \text{ N} \cdot \text{mm}$$

Since the bending and torsion moments are applied simultaneously, obtain the corresponding bending moment (M_e) and torsion moment (T_e), and then determine the shaft diameter based on the greater value. From equations (3) and (4) on **B3-15**,

$$M_e = \frac{M + \sqrt{M^2 + T^2}}{2} \doteq 196762.7 \text{ N} \cdot \text{mm}$$

$$T_e = \sqrt{M^2 + T^2} \doteq 197525.3 \text{ N} \cdot \text{mm}$$

$$M_e < T_e$$

$\therefore T_e = \tau_a \times Z_p$ Hence,

$$Z_p = \frac{T_e}{\tau_a} \doteq 4031 \text{ mm}^3$$

Thus, judging from Table4 on **A3-18**, the nominal shaft diameter that meets Z_p is at least 40 mm.

■Average Load P_m

Obtain an applied load value when the arm is extended to the maximum length (P_{1max}), and another when the arm is contracted (P_{1min}). Based on the values obtained, calculate the average load on the spline shaft nut.

$$P_{1max} = \frac{m \times 9.8(L_1 + L_2)}{L_1} \doteq 1551.7\text{N}$$

$$P_{2max} = \frac{m \times 9.8 \times L_2}{L_1} \doteq 1061.7\text{N}$$

When the arm is contracted

$$P_{1min} = \frac{m \times 9.8 \times [(L_2 - \ell_s) + L_1]}{L_1} \doteq 898.3\text{N}$$

$$P_{2min} = \frac{m \times 9.8 \times (L_2 - \ell_s)}{L_1} \doteq 408.3\text{N}$$

As this load is monotonically varying as shown in the Fig.3 on **B3-23**, calculate the average load using the equation (13) on **B3-23**.

The average load (P_{1m}) on spline nut 1

$$P_{1m} \doteq \frac{1}{3}(P_{1min} + 2P_{1max}) = 1333.9\text{N}$$

The average load (P_{2m}) on spline nut 2

$$P_{2m} \doteq \frac{1}{3}(P_{2min} + 2P_{2max}) = 843.9\text{N}$$

Obtain the torque applied on one spline nut.

$$T = \frac{m \times 9.8 \times L_3}{2} = 12250\text{N} \cdot \text{mm}$$

Since the radial load and the torque are simultaneously applied, calculate the equivalent radial load using equation (9) on **B3-20**.

$$P_{1E} = P_{1m} + \frac{4 \times T}{3 \times dp \times \cos\alpha} = 1911.4\text{N}$$

$$P_{2E} = P_{2m} + \frac{4 \times T}{3 \times dp \times \cos\alpha} = 1421.4\text{N}$$

■Nominal Life L_n

Based on the nominal life equation (8) on **B3-19**, each nominal life is obtained as follows.

$$\text{Nominal life of the spline nut } L_1 = \left(\frac{f_T \times f_C}{f_w} \times \frac{C}{P_{1E}} \right)^3 \times 50 = 68867.4\text{km}$$

$$\text{Nominal life of the spline nut } L_2 = \left(\frac{f_T \times f_C}{f_w} \times \frac{C}{P_{2E}} \right)^3 \times 50 = 167463.2\text{km}$$

f_r : Temperature factor = 1 (from Fig.1 on **B3-21**)
 f_c : Contact factor = 1 (from Table3 on **B3-21**)
 f_w : Load factor = 1.5 (from Table4 on **B3-21**)
 C : Basic dynamic load rating = 31.9 kN (model LBS40)

Given the nominal life obtained for each spline nut above, the nominal life of the Ball Spline unit is equal to that of spline nut 1, which is 68867.4km.

● Example of Calculation - 2

[Conditions]

Thrust position: F_s

Stroke velocity: $V_{\max} = 0.25\text{m/sec}$

Acceleration: $a=0.36\text{m/sec}^2$

(from the respective velocity diagram)

Stroke: $S=700\text{mm}$

Housing mass: $m_1=30\text{kg}$

Arm mass : $m_2=20\text{kg}$

Head mass: $m_3=15\text{kg}$

Work mass: $m_4=12\text{kg}$

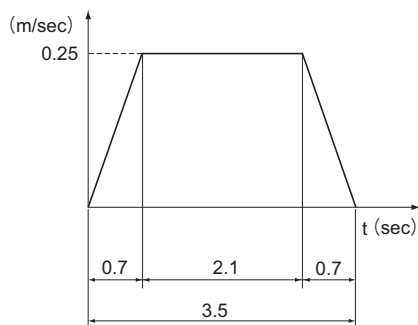
Distance from the thrust position to each mass

$l_1=200\text{mm}$ $l_2=500\text{mm}$

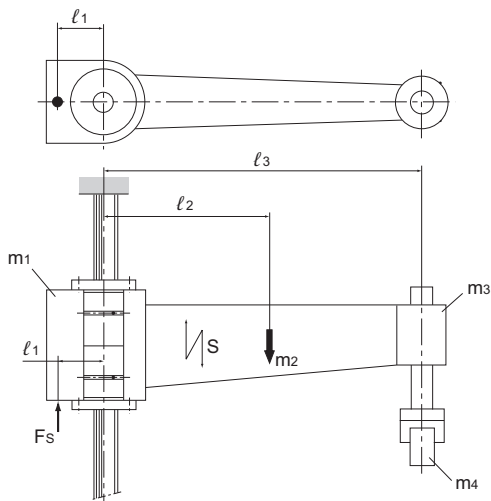
$l_3=1276\text{mm}$

Cycle (1 cycle: 30 sec)

1. Descent (3.5sec) 2.Dwell (1sec): with a work
3. Ascend (3.5sec) 4.Dwell (7sec)
5. Descent (3.5sec) 6.Dwell (1sec): without a work
7. Ascend (3.5sec) 8.Dwell (7sec)



Velocity diagram



(The Ball Spline type is LBF in this example.)

Fig.6

■ Shaft Strength Calculation

Calculate the shaft strength while assuming the shaft diameter to be 60 mm. (with double spline nut in contact with each other)

■ Calculating the Moment (M_n) Applying on the Spline Nut during Acceleration, Uniform Motion and Deceleration with Different Masses (m_n)

Applied moment during deceleration: M_1

$$M_1 = m_n \times 9.8 \left(1 \pm \frac{a}{g}\right) \times \ell_n \quad \dots\dots(a)$$

Applied moment during uniform motion: M_2

$$M_2 = m_n \times 9.8 \times \ell_n \quad \dots\dots(b)$$

Applied moment during deceleration: M_3

$$M_3 = m_n \times 9.8 \left(1 \pm \frac{a}{g}\right) \times \ell_n \quad \dots\dots(c)$$

m_n : Mass (kg)

a : Acceleration (m/sec²)

g : Gravitational acceleration (m/sec²)

ℓ_n : Offset from each loading point to the trust center (mm)

Assume:

$$A = \left(1 + \frac{a}{g}\right), \quad B = \left(1 - \frac{a}{g}\right)$$

● During descent

From equation (c), during acceleration

$$\begin{aligned} M_{m1} &= m_1 \times 9.8 \times B \times \ell_1 + m_2 \times 9.8 \times B \times (\ell_1 + \ell_2) + m_3 \times 9.8 \times B \times (\ell_1 + \ell_3) \\ &= 398105.01 \text{N}\cdot\text{mm} \end{aligned}$$

From equation (b), during uniform motion

$$\begin{aligned} M_{m2} &= m_1 \times 9.8 \times \ell_1 + m_2 \times 9.8 \times (\ell_1 + \ell_2) + m_3 \times 9.8 \times (\ell_1 + \ell_3) \\ &= 412972 \text{N}\cdot\text{mm} \end{aligned}$$

From equation (a), during deceleration

$$\begin{aligned} M_{m3} &= m_1 \times 9.8 \times A \times \ell_1 + m_2 \times 9.8 \times A \times (\ell_1 + \ell_2) + m_3 \times 9.8 \times A \times (\ell_1 + \ell_3) \\ &= 427838.99 \text{N}\cdot\text{mm} \end{aligned}$$

● During ascent

From equation (a), during acceleration

$$\begin{aligned} M_{m1}' &= m_1 \times 9.8 \times A \times \ell_1 + m_2 \times 9.8 \times A \times (\ell_1 + \ell_2) + m_3 \times 9.8 \times A \times (\ell_1 + \ell_3) \\ &= 427838.99 \text{N}\cdot\text{mm} \end{aligned}$$

From equation (b), during uniform motion

$$\begin{aligned} M_{m2}' &= m_1 \times 9.8 \times \ell_1 + m_2 \times 9.8 \times (\ell_1 + \ell_2) + m_3 \times (\ell_1 + \ell_3) \\ &= 412972 \text{N}\cdot\text{mm} \end{aligned}$$

From equation (c), during deceleration

$$M_{m3}' = m_1 \times 9.8 \times B \times l_1 + m_2 \times 9.8 \times B \times (l_1 + l_2) + m_3 \times 9.8 \times B \times (l_1 + l_3) \\ = 398105.01 \text{ N-mm}$$

- During descent (with a work loaded)

From equation (c), during acceleration

$$M_{m1}'' = M_{m1}' + m_4 \times 9.8 \times B \times (l_1 + l_3) \\ = 565433.83 \text{ N-mm}$$

From equation (b), during uniform motion

$$M_{m2}'' = M_{m2}' + m_4 \times 9.8 \times (l_1 + l_3) \\ = 586549.6 \text{ N-mm}$$

From equation (a), during deceleration

$$M_{m3}'' = M_{m3}' + m_4 \times 9.8 \times A \times (l_1 + l_3) \\ = 607665.37 \text{ N-mm}$$

- During ascent (with a work loaded)

From equation (a), during acceleration

$$M_{m1}''' = M_{m1}' + m_4 \times 9.8 \times A \times (l_1 + l_3) \\ = 607665.37 \text{ N-mm}$$

From equation (b), during uniform motion

$$M_{m2}''' = M_{m2}' + m_4 \times 9.8 \times (l_1 + l_3) \\ = 586549.6 \text{ N-mm}$$

From equation (c), during deceleration

$$M_{m3}''' = M_{m3}' + m_4 \times 9.8 \times B \times (l_1 + l_3) \\ = 565433.83 \text{ N-mm}$$

$$\therefore M_1 = M_{m1} = M_{m3}' = 398105.01 \text{ N-mm}$$

$$M_2 = M_{m2} = M_{m2}' = 412972 \text{ N-mm}$$

$$M_3 = M_{m3} = M_{m1}' = 427838.99 \text{ N-mm}$$

$$M_1' = M_{m1}'' = M_{m3}''' = 565433.83 \text{ N-mm}$$

$$M_2' = M_{m2}'' = M_{m2}''' = 586549.6 \text{ N-mm}$$

$$M_3' = M_{m3}'' = M_{m1}''' = 607665.37 \text{ N-mm}$$

■Calculating the Equivalent Radial Load Considered to be Applied to the Spline Nut with Different Moments

Relational expression between moment M_n and P_n

$$P_n = M_n \times K \quad \dots\dots\dots(d)$$

P_n : Equivalent radial load (N)

M_n : Applied moment (N-mm)

K : Equivalent factor

(from Table13 to **A3-27**)

(If two spline nuts of LBF60 contact with each other, $K = 0.013$)

Calculate the equivalent radial load with different applied moments using equation (d).

$$P_{m1} = P_{m3}' = M_1 \times 0.013 \doteq 5175.4N$$

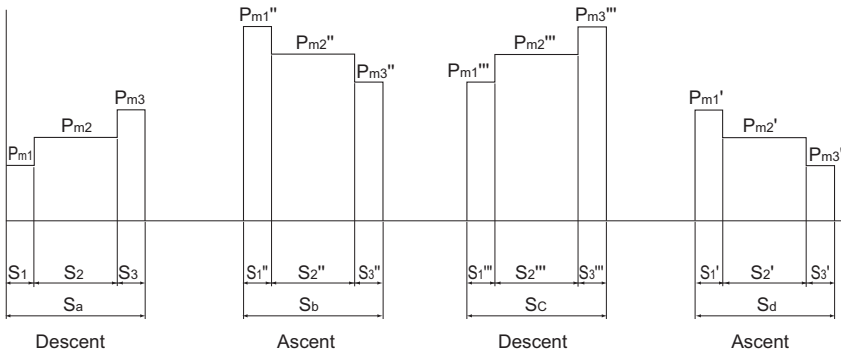
$$P_{m2} = P_{m2}'' = M_2 \times 0.013 \doteq 5368.6N$$

$$P_{m3} = P_{m1}' = M_3 \times 0.013 \doteq 5561.9N$$

$$P_{m1}'' = P_{m3}''' = M_1' \times 0.013 \doteq 7350.7N$$

$$P_{m2}''' = P_{m2}'''' = M_2' \times 0.013 \doteq 7625.2N$$

$$P_{m3}'' = P_{m1}'''' = M_3' \times 0.013 \doteq 7899.7N$$



$$\left\{ \begin{array}{l} P_1 = P_{m1} = P_{m3}' \doteq 5175.4N \\ P_2 = P_{m2} = P_{m2}'' \doteq 5368.6N \\ P_3 = P_{m3} = P_{m1}' \doteq 5561.9N \end{array} \right.$$

$$\left\{ \begin{array}{l} P_4 = P_{m1}'' = P_{m3}''' \doteq 7350.7N \\ P_5 = P_{m2}'' = P_{m2}'''' \doteq 7625.2N \\ P_6 = P_{m3}'' = P_{m1}'''' \doteq 7899.7N \end{array} \right.$$

$$\left\{ \begin{array}{l} S = S_a = S_b = S_c = S_d = 700mm \\ S_1 = S_1' = S_1'' = S_1''' = S_1'''' = 87.5mm \\ S_2 = S_2' = S_2'' = S_2''' = S_2'''' = 525mm \\ S_3 = S_3' = S_3'' = S_3''' = S_3'''' = 87.5mm \end{array} \right.$$

■Calculating the Average Load P_m

Using equation (12) on **B3-22**,

$$P_m = \sqrt[3]{\frac{1}{4 \times S} [2 \{ (P_1^3 \times S_1) + (P_2^3 \times S_2) + (P_3^3 \times S_3) \} + 2 \{ (P_4^3 \times S_3) + (P_5^3 \times S_2) + (P_6^3 \times S_1) \}]}$$

$$\doteq 6689.5N$$

■Calculating the Rated Life L from the Average Load

Using equation (8) on **B3-19**,

$$L = \left(\frac{f_r \cdot f_c}{f_w} \cdot \frac{C}{P_m} \right)^3 \times 50$$

$$= 7630km$$

f_r : Temperature factor = 1

(from Fig.1 on **B3-21**)

f_c : Contact factor=0.81

(from Table3 on **B3-21**)

f_w : Load factor=1.5

(from Table4 on **B3-21**)

C : Basic dynamic load rating = 66.2 kN

(model LBF60)

Given the result above, the nominal life of model LBF60 with double spline nuts used in close contact with each other is 7,630 km.

Assembling the Ball Spline

Mounting the Spline

Fig.1 and Fig.2 shows examples of mounting the spline nut. Although the Ball Spline does not require a large strength for securing it in the spline shaft direction, do not support the spline only with driving fitting.

Note) On both ends of the spline nut of Caged Ball Ball Spline model SLS, resin end caps are installed. Hitting them or pressing hard may cause damage. You must take care not to apply an excessive load.

Straight nut type

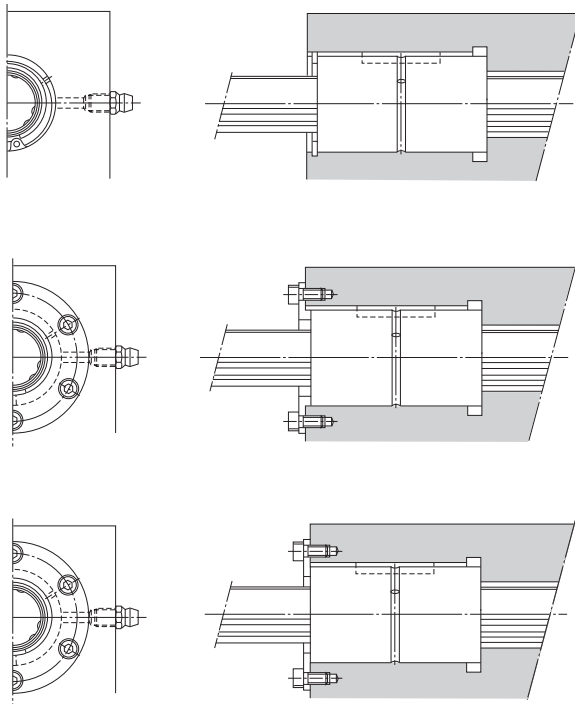
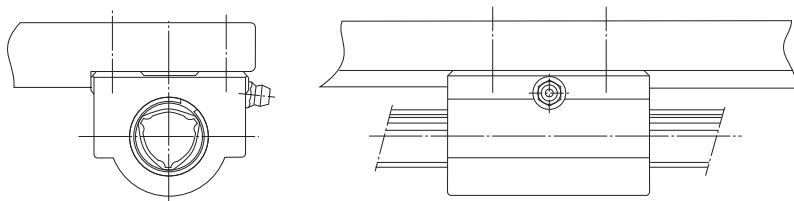


Fig.1 Examples of Fitting the Spline Nut

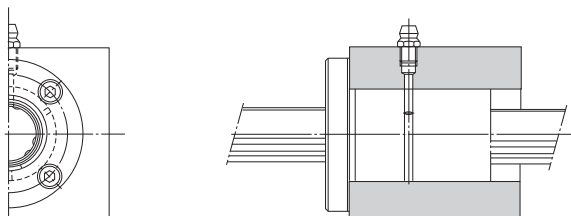
Mounting Procedure and Maintenance

Assembling the Ball Spline

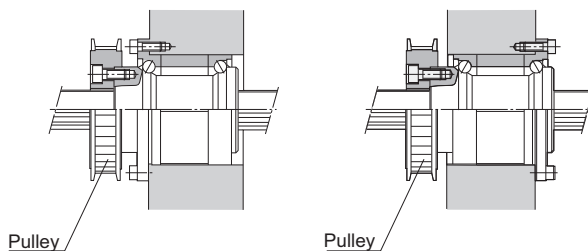
Model LBH



Flanged type



Model LTR



Model LBG

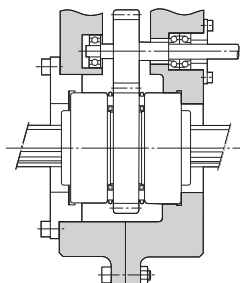


Fig.2 Examples of Fitting the Spline Nut

Installing the Spline Nut

When installing the spline nut into the housing, do not hit the side plate or the seal, but gently insert it using a jig (Fig.3).

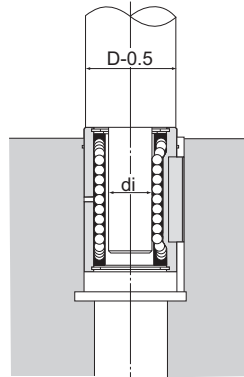


Fig.3

Table1 Dimensions of the Jig for Model LBS

Unit: mm

Nominal shaft diameter	15	20	25	30	40	50	60	70	85	100	120	150
di	12.5	16.1	20.3	24.4	32.4	40.1	47.8	55.9	69.3	83.8	103.8	131.8

Table2 Dimensions of the Jig for Model LT

Unit: mm

Nominal shaft diameter	6	8	10	13	16	20	25	30	40	50	60	80	100
di	5.0	7	8.5	11.5	14.5	18.5	23	28	37.5	46.5	56	75.5	94.5

Installation of the Spline Shaft

When installing the spline shaft into the spline nut, identify the matching marks (Fig.4) on the spline shaft and the spline nut, and then insert the shaft straightforward while checking their relative positions.

Note that forcibly inserting the shaft may cause balls to fall off.

If the spline nut is attached with a seal or given a preload, apply a lubricant to the outer surface of the spline shaft.

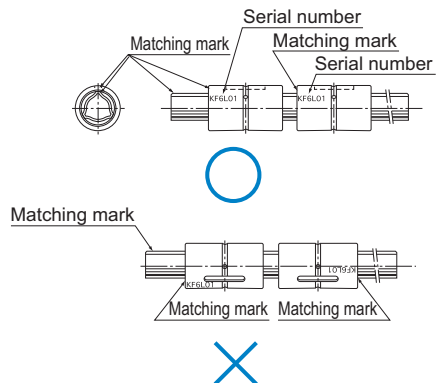


Fig.4

Lubrication

To prevent foreign material from entering the spline nut and the lubricant from leaking, special synthetic resin seals with high wear resistance are available for the Ball Spline.

Spline nuts with seals (seal for both ends type UU, and seal for one end) contain high-quality lithium-soap group grease No. 2. However, if using them at high speed or with a long stroke, replenish grease of the same type through the greasing hole on the spline nut after running in.

Afterward, replenish grease of the same type as necessary according to the service conditions.

The greasing interval differs depending on the conditions. Normally, replenish the lubricant (or replace the product) roughly every 100 km of travel distance (six months to one year) as a rule of thumb.

For a Ball Spline model type without a seal, apply grease to the interior of the spline nut or to the raceways of the spline shaft.

Material and Surface Treatment

Depending on the service environment, the Ball Spline requires anticorrosive treatment or a different material. For details of anticorrosive treatment and material change, contact THK.

Contamination Protection

Entrance of dust or other foreign material into the spline nut will cause abnormal wear or shorten the service life. Therefore, it is necessary to prevent detrimental foreign material from entering the Ball Spline. When entrance of dust or other foreign material is a possibility, it is important to select effective seals and/or dust-control device that meets the environment conditions.

For the Ball Spline, a special synthetic rubber seal that is highly resistant to wear is available as a contamination protection accessory. If desiring a higher contamination protection effect, a felt seal is also available for some types. For details about the felt seal, contact THK.

In addition, THK produces round bellows. Contact us for details.

Table1 Dust prevention accessory symbol

Symbol	Contamination protection accessory
No Symbol	Without seal
UU	Rubber seal attached on both ends of spline nut
U	Rubber seal attached on either end of spline nut
DD	Felt seal attached on both ends of spline nut
D	Felt seal attached on either end of spline nut
ZZ	Rubber seal attached on both ends of support bearings
Z	Rubber seal attached on either end of support bearings

Model Number Coding

Model number configurations differ depending on the model features. Refer to the corresponding sample model number configuration.

[Ball Spline]

- Models SLS, SLS-L, SLF, LBS, LBST, LBF, LBR, LBH, LT, LF and LT-X

2	LBS40	UU	CL	+1000L	P	K
Model No.	Contamination protection accessory symbol (*1)		Symbol for clearance in the rotational direction (*2)	Overall spline shaft length (*5) (in mm)	Accuracy symbol (*3)	Symbol for standard hollow spline shaft (*4)
Number of spline nuts on one shaft (no symbol for one nut)						

(*1) See [A3-113](#). (*2) See [A3-29](#). (*3) See [A3-33](#). (*4) See [A3-69](#). (*5) See [A3-109](#).

[Rotary Ball Spline]

- Models LTR, LTR-A, LBG and LBGT

2	LTR32	K	UU	ZZ	CL	A	+500L	P	K
Model No.	Flange orientation symbol (*1)			Symbol for clearance in the rotational direction (*4)	Compact Support Type		Accuracy symbol (*5)		Symbol for standard hollow spline shaft (*6)
Spline nut contamination protection accessory symbol (*2)				Support bearings contamination protection accessory symbol (*3)					
Number of spline nuts on one shaft (no symbol for one nut)								Overall spline shaft length (*7) (in mm)	

(*2) See [A3-113](#). (*3) See [A3-113](#). (*4) See [A3-29](#). (*5) See [A3-33](#). (*6) See [A3-106](#). (*7) See [A3-109](#).

(*1) No Symbol: standard K: flange inversed

Precautions on Use

Ball Spline

[Handling]

- (1) Please use at least two people to move any product weighing 20 kg or more, or use a dolly or another conveyance. Doing so may cause injury or damage.
- (2) Do not disassemble the parts. This will result in loss of functionality.
- (3) Tilting a spline nut or spline shaft may cause them to fall by their own weight.
- (4) Take care not to drop or strike the Ball Spline. Doing so may cause injury or damage. Giving an impact to it could also cause damage to its function even if the product looks intact.
- (5) When assembling, do not remove the spline nut from the spline shaft.
- (6) When handling the product, wear protective gloves, safety shoes, etc., as necessary to ensure safety.

[Precautions on Use]

- (1) Prevent foreign material, such as cutting chips or coolant, from entering the product. Failure to do so may cause damage.
- (2) If the product is used in an environment where cutting chips, coolant, corrosive solvents, water, etc., may enter the product, use bellows, covers, etc., to prevent them from entering the product.
- (3) Do not use the product at temperature of 80°C or higher. Except for the heat-resistant models, exposure to higher temperatures may cause the resin/rubber parts to deform/be damaged.
- (4) If foreign material such as cutting chips adheres to the product, replenish the lubricant after cleaning the product.
- (5) Micro-strokes tend to obstruct oil film to form on the raceway in contact with the rolling element, and may lead to fretting corrosion. Take consideration using grease offering excellent fretting prevention. It is also recommended that a stroke movement corresponding to the length of the spline nut be made on a regular basis to make sure oil film is formed between the raceway and rolling element.
- (6) Do not use undue force when fitting parts (pin, key, etc.) to the product. This may generate permanent deformation on the raceway, leading to loss of functionality.
- (7) Skewing or misalignment of the spline shaft support and spline nut can shorten service life substantially. Inspect the components carefully and make sure they are mounted correctly.
- (8) The spline nut must contain all its internal rolling elements (balls) when mounted on the spline shaft. Using a spline nut with any balls removed may result in premature damage.
- (9) Please contact THK if any balls fall out of the spline nut; do not use the spline nut if any balls are missing.
- (10) To mount the spline nut on the spline shaft, first locate the alignment indicators on both components, then insert the shaft through the opening in the spline nut, without forcing it, and adjust the position until the indicators are aligned. Forcing the shaft could cause balls to fall out. When mounting a spline nut equipped with a seal or preload, first lubricate the outer surface of the spline shaft.
- (11) Manipulate the spline nut gently, using a jig, when inserting it into the housing, taking care not to strike the side plate, end cap, or seal.
- (12) If an attached component is insufficiently rigid or mounted incorrectly, the bearing load will be concentrated at one location and performance will decline significantly. Make sure the housing and base are sufficiently rigid, the anchoring bolts are strong enough, and the component is mounted correctly.
- (13) If desiring to have a flanged-type Ball Spline additionally machined, such as having a dowel pin hole, contact THK.

[Lubrication]

- (1) Thoroughly wipe off anti-rust oil and feed lubricant before using the product.
- (2) Do not combine different lubricants. Mixing lubricants can cause adverse interaction between disparate additives or other ingredients.
- (3) If the product will be exposed to constant vibration or high or low temperatures, or used in a clean room, vacuum, or other special environment, apply a lubricant suitable for both the specifications and the environment.
- (4) To lubricate a product that has no grease nipple or oil hole, apply lubricant directly to the raceway surface and execute a few preliminary strokes to ensure that the interior is fully lubricated.
- (5) Bear in mind that the Ball Spline's slide resistance is affected by changes in the consistency of the lubricant, which varies according to the temperature.
- (6) The Ball Spline may encounter increased slide resistance following lubrication, due to the lubricant's agitation resistance. Make sure to put the unit through some preliminary motions to ensure that it is fully lubricated before starting up the machine.
- (7) Excess lubricant may spatter immediately after lubrication. If necessary, wipe off any spattered grease.
- (8) Because lubricant performance declines over time, lubrication must be monitored regularly and fresh lubricant applied when needed, depending on how frequently the machine is operated.
- (9) The appropriate lubrication schedule will depend on usage conditions and the surrounding environment. In general, the unit should be lubricated after every 100 kilometers of operation (every 3 to 6 months). The actual lubrication schedule and amount of lubricant used should be determined by the condition of the machinery.
- (10) With oil lubrication, the lubricant may not always be thoroughly disseminated inside the Ball Spline, depending on its mounting position. If the preferred lubrication method is oil lubrication, please consult THK in advance.

[Storage]

When storing the Ball Spline, enclose it in a package designated by THK and store it in a room in a horizontal orientation while avoiding high temperature, low temperature and high humidity. After the product has been in storage for an extended period of time, lubricant inside may have deteriorated, so add new lubricant before use.

[Disposal]

Dispose of the product properly as industrial waste.

