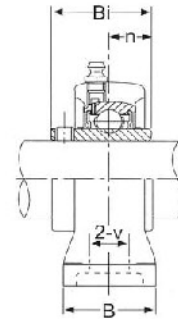
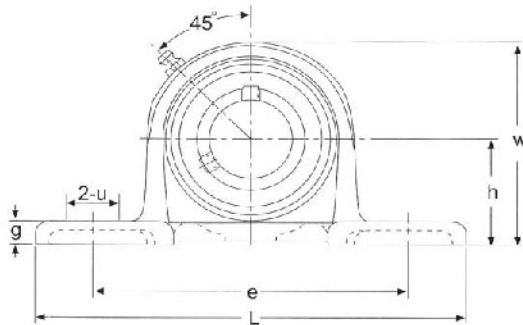




## All Stainless Steel 2-Bolt Flange Units



**Dimension table . Dimensions in mm**

Unit No.	Shaft Dia		h	L	e	B	v	u	g	w	Bi	n	Bolt Size mm	Bearing No.	Housing No.	Weight kg
	d (in)	d (mm)														
MUCP 204-12 MUCP 204	3/4	20	33.3	127	95	30	13	19	10	64	31	12.7	M10	SUC 204-12 SUC 204	SP 204	0.64
MUCP 205-14 MUCP 205-15 MUCP 205	7/8 15/16	25	36.5	140	105	30	13	19	10	70	34.1	14.3	M10	SUC 205-14 SUC 205-15 SUC 205	SP 205	0.76
MUCP 205-16	1													SUC 205-16		
MUCP 206-17 MUCP 206-18 MUCP 206	1-11/16 1-1/8	30	42.9	165	121	36	17	21	11	82	38.1	15.9	M12	SUC 206-17 SUC 206-18 SUC 206	SP 206	1.11
MUCP 206-19 MUCP 206-20	1-3/16 1-1/4													SUC 206-19 SUC 206-20		
MUCP 207-20 MUCP 207-21 MUCP 207-22 MUCP 207	1-1/4 15/16 1-3/8	35	47.6	167	127	38	17	21	12	92	42.9	17.5	M12	SUC 207-20 SUC 207-21 SUC 207-22 SUC 207	SP 207	1.49
MUCP 207-23	1-7/16													SUC 207-23		
MUCP 208-24 MUCP 208-25 MUCP 208	1-1/2 1-9/16	40	49.2	184	137	40	17	21	12	98	49.2	19	M12	SUC 208-24 SUC 208-25 SUC 208	SP 208	1.81
MUCP 209-26 MUCP 209-27 MUCP 209-28 MUCP 209	1-5/8 1-11/16 1-3/4	45	54	190	146	40	17	22	13	105	49.2	19	M12	SUC 209-26 SUC 209-27 SUC 209-28 SUC 209	SP 209	2.36
MUCP 210-30 MUCP 210-31 MUCP 210 MUCP 210-32	1-7/8 1-15/16	50	57.2	206	159	45	20	25	14	112	51.6	19	M16	SUC 210-30 SUC 210-31 SUC 210 SUC 210-32	SP 210	2.60

**Note:** 1) Grease fittings available at 90° and 45° positions  
 2) Open / Close ( OC / OC ) covers are optional