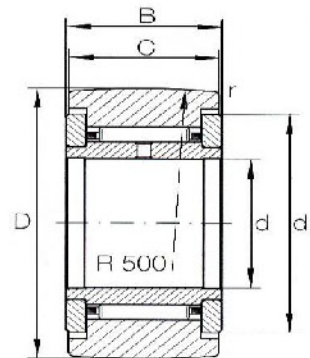
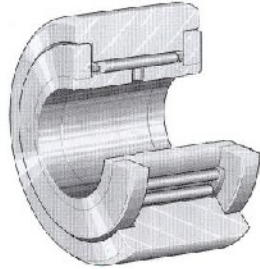




## Yoke type track rollers



**Dimension table . Dimensions in mm**

Outside diameter	Designation	Designation	Mass ≈ g	Dimensions						Basic load rating		Fatigue load $P_{UW}$ N	Speed <sup>1)</sup> $n_0$ grease min <sup>-1</sup>
				d	D	C	B	d <sub>1</sub>	r min.	dyn $C_w$ N	stat $C_{0w}$ N		
16	NATR 5	NATR 5 PP	14	5	16	11	12	12	0.15	2 992	3 135	389	13 300
19	NATR 6	NATR 6 PP	20	6	19	11	12	14	0.15	3 325	3 705	503	10 450
24	NATR 8	NATR 8 PP	41	8	24	14	15	19	0.30	5 225	6 080	845	7 125
30	NATR 10	NATR 10 PP	64	10	30	14	15	23	0.60	6 460	7 980	1 121	5 225
32	NATR 12	NATR 12 PP	71	12	32	14	15	25	0.60	6 555	8 360	1 159	4 275
35	NATR 15	NATR 15 PP	103	15	35	18	19	27	0.60	9 215	13 395	1 757	3 420
40	NATR 17	NATR 17 PP	144	17	40	20	21	32	1.00	10 355	14 725	1 909	2 755
47	NATR 20	NATR 20 PP	246	20	47	24	25	37	1.00	14 725	24 225	3 135	2 280
52	NATR 25	NATR 25 PP	275	25	52	24	25	42	1.00	19 475	25 175	3 192	1 710
62	NATR 30	NATR 30 PP	470	30	62	28	29	51	1.00	22 420	36 575	4 750	1 235
72	-	NATR 35 PP	635	35	72	28	29	58	1.10	24 225	42 275	5 434	950
80	-	NATR 40 PP	805	40	80	30	32	66	1.10	31 350	56 050	7 210	807
90	-	NATR 50 PP	960	50	90	30	32	76	1.10	30 400	56 050	7 220	617

- Bearing with lip seals (suffix PP)

permissible operating temperature: -30°C to + 100°C (continuous operation)