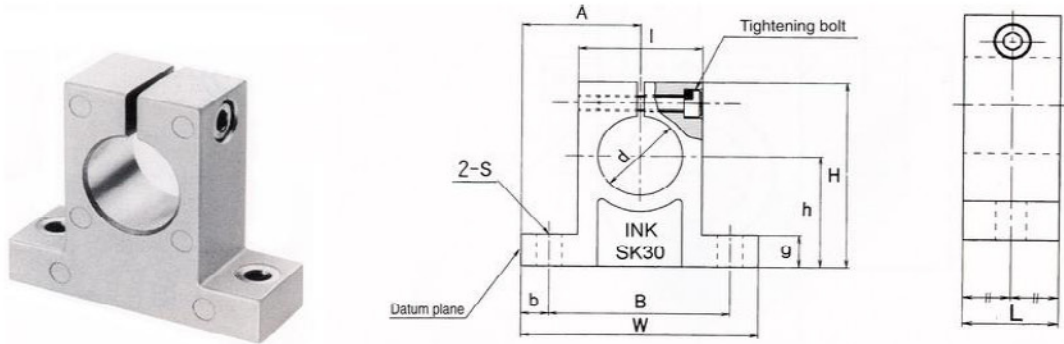




Shaft end supporter



Dimension table . Dimensions in mm

Model no.	Main dimensions												Tightening bolt	Shaft diameter
	Weight						Mounting bolt	h	A	b	g	l		
	g	H	W	L	B	S								
SK 10	24	32.8	42	14	32	5.5	M 5	±0.02 20	±0.05 21	5	6	18	M 4	d 10
SK 12	30	37.5	42	14	32	5.5	M 5	23	21	5	6	20	M 4	12
SK 13	30	37.5	42	14	32	5.5	M 5	23	21	5	6	20	M 4	13
SK 16	40	44	48	16	38	5.5	M 5	27	24	5	8	25	M 4	16
SK 20	70	51	60	20	45	6.6	M 6	31	30	7.5	10	30	M 5	20
SK 25	130	60	70	24	56	6.6	M 6	35	35	7	12	38	M 6	25
SK 30	180	70	84	28	64	9	M 8	42	42	10	12	44	M 6	30
SK 35	270	83	98	32	74	11	M10	50	49	12	15	50	M 8	35
SK 40	420	96	96	36	90	11	M10	60	57	12	15	60	M 8	40