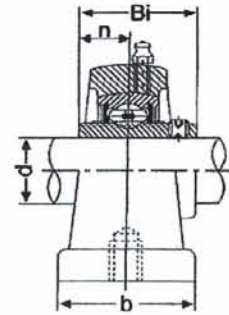
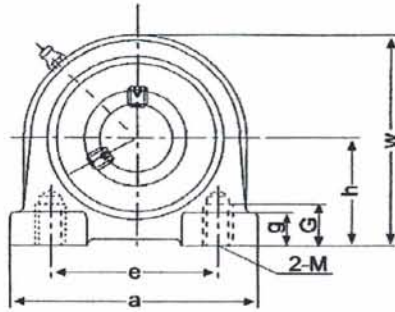




## All Stainless Steel Tap Base Unit



Dimension table . Dimensions in mm

Unit No.	Shaft Dia d		h	a	e	b	G	g	w	Bi	n	Bolt Size mm	Bearing No.	Housing No.	Weight kg
	(in)	(mm)													
MUCPA 204-12 MUCPA 204	3/4	20	33.3	76	52	38	13	11	62	31	12.7	M10	SUC 204-12 SUC 204	SPA 204	0.60
MUCPA 205-14 MUCPA 205-15 MUCPA 205 MUCPA 205-16	7/8 15/16 1	25	36.5	84	56	38	45	12	72	34.1	14.3	M10	SUC 205-14 SUC 205-15 SUC 205 SUC 205-16	SPA 205	0.81
MUCPA 206-17 MUCPA 206-18 MUCPA 206 MUCPA 206-19 MUCPA 206-20	1-11/16 1-1/8 1-3/16 1-1/4	30	42.9	94	66	48	18	12	84	38.1	15.9	M14	SUC 206-17 SUC 206-18 SUC 206 SUC 206-19 SUC 206-20	SPA 206	1.20
MUCPA 207-20 MUCPA 207-21 MUCPA 207-22 MUCPA 207 MUCPA 207-23	1-1/4 1-5/16 1-3/8 1-7/16	35	47.6	110	80	48	20	13	95	42.9	17.5	M14	SUC 207-20 SUC 207-21 SUC 207-22 SUC 207 SUC 207-23	SPA 207	1.70
MUCPA 208-24 MUCPA 208-25 MUCPA 208	1-1/2 1-9/16	40	49.2	116	84	54	20	13	100	49.2	19	M14	SUC 208-24 SUC 208-25 SUC 208	SPA 208	1.90
MUCPA 209-26 MUCPA 209-27 MUCPA 209-28 MUCPA 209	1-5/8 1-11/16 1-3/4	45	54.2	120	90	54	25	13	108	49.2	19	M14	SUC 209-26 SUC 209-27 SUC 209-28 SUC 209	SPA 209	2.20
MUCPA 210-30 MUCPA 210-31 MUCPA 210 MUCPA 210-32	1-7/8 1-15/16 2	50	57.2	130	94	60	25	14	116	51.6	19	M16	SUC 210-30 SUC 210-31 SUC 210 SUC 210-32	SPA 210	2.60