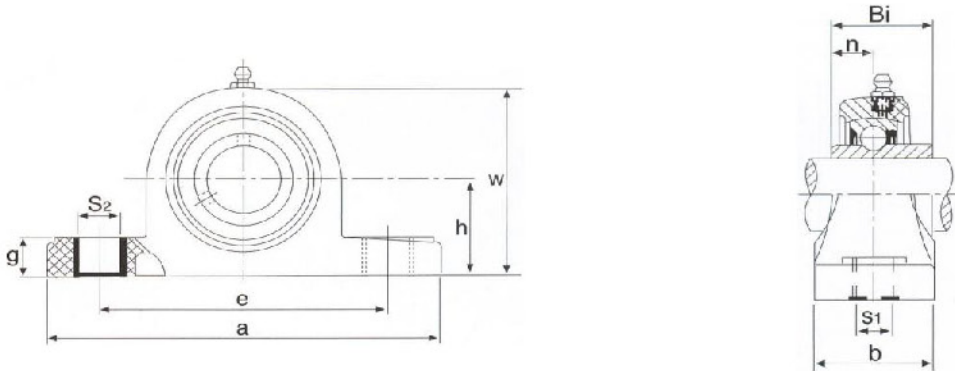




## Thermoplastic bearing housing



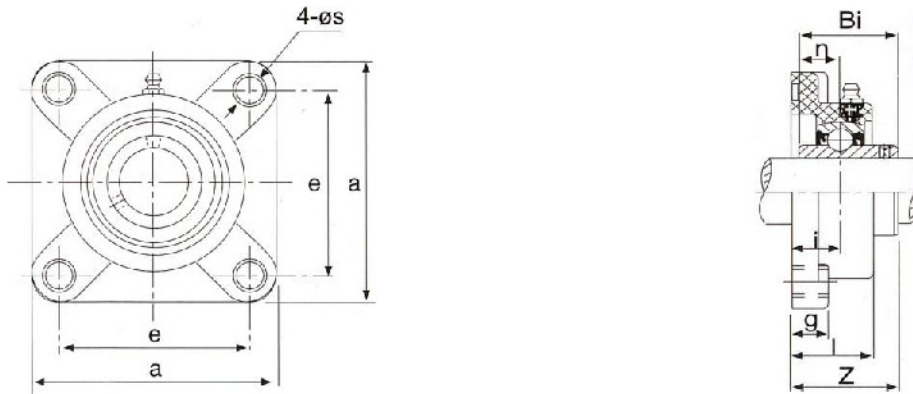
**Dimension table . Dimensions in mm**

| Housing No. | Bearing No. | Shaft d | h    | a     | e   | b  | S <sub>1</sub> | S <sub>2</sub> | g    | w    | Bi   | n    | Bolt Dia. | Weight kg |
|-------------|-------------|---------|------|-------|-----|----|----------------|----------------|------|------|------|------|-----------|-----------|
|             |             |         |      |       |     |    |                |                |      |      |      |      |           |           |
| TP-P201     | SUC201      | 12      | 33.3 | 127   | 95  | 38 | 11             | 14             | 14.2 | 65.5 | 31   | 12.7 | M10       | 0.13      |
| TP-P202     | SUC202      | 15      | 33.3 | 127   | 95  | 38 | 11             | 14             | 14.2 | 65.5 | 31   | 12.7 | M10       | 0.13      |
| TP-P203     | SUC203      | 17      | 33.3 | 127   | 95  | 38 | 11             | 14             | 14.2 | 65.5 | 31   | 12.7 | M10       | 0.13      |
| TP-P204     | SUC204      | 20      | 33.3 | 127   | 95  | 38 | 11             | 14             | 14.2 | 65.5 | 31   | 12.7 | M10       | 0.13      |
| TP-P205     | SUC205      | 25      | 36.5 | 140.5 | 105 | 38 | 11             | 14             | 14.5 | 71   | 34.1 | 14.3 | M10       | 0.14      |
| TP-P206     | SUC206      | 30      | 42.9 | 163   | 119 | 46 | 14             | 18             | 17.8 | 84   | 38.1 | 15.9 | M12       | 0.25      |
| TP-P207     | SUC207      | 35      | 47.6 | 168   | 127 | 48 | 14             | 18             | 18   | 94.5 | 42.9 | 17.5 | M12       | 0.27      |
| TP-P208     | SUC208      | 40      | 49.2 | 184   | 137 | 54 | 14             | 18             | 19.5 | 99   | 49.2 | 19   | M12       | 0.32      |
| TP-P209     | SUC209      | 45      | 54   | 192   | 146 | 54 | 17             | 20             | 23   | 106  | 42.9 | 19   | M16       | 0.37      |
| TP-P210     | SUC210      | 50      | 57.2 | 206   | 159 | 60 | 17             | 20             | 23   | 114  | 51.6 | 19   | M16       | 0.44      |

| Mode of Load | BREAKING POINT OF HOUSINGS (N) |               |               |               |               |               |               |
|--------------|--------------------------------|---------------|---------------|---------------|---------------|---------------|---------------|
|              | 204                            | 205           | 206           | 207           | 208           | 209           | 210           |
|              | <b>8 800</b>                   | <b>13 700</b> | <b>12 650</b> | <b>12 750</b> | <b>13 100</b> | <b>13 360</b> | <b>13 850</b> |
|              | <b>7 700</b>                   | <b>10 000</b> | <b>10 600</b> | <b>10 800</b> | <b>11 100</b> | <b>11 400</b> | <b>11 750</b> |
|              | <b>5 000</b>                   | <b>8 100</b>  | <b>5 750</b>  | <b>7 500</b>  | <b>8 500</b>  | <b>8 950</b>  | <b>9 550</b>  |



## Thermoplastic bearing housing



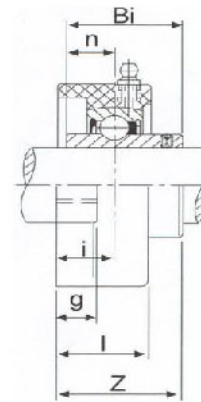
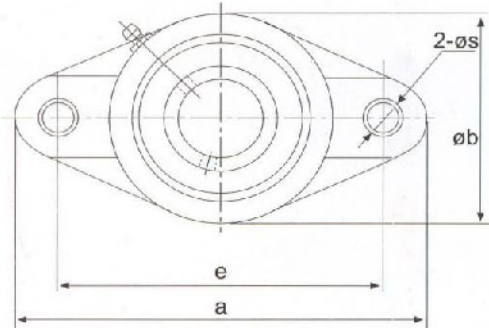
**Dimension table . Dimensions in mm**

| Housing No. | Bearing No. | Shaft d | a   | e    | g    | l    | s  | z    | i    | Bi   | n    | Bolt Dia. | Weight kg |
|-------------|-------------|---------|-----|------|------|------|----|------|------|------|------|-----------|-----------|
| TP-F201     | SUC201      | 12      | 88  | 63.5 | 13.4 | 27.8 | 11 | 36.3 | 18   | 31   | 12.7 | M10       | 0.13      |
| TP-F202     | SUC202      | 15      | 88  | 63.5 | 13.4 | 27.8 | 11 | 36.3 | 18   | 31   | 12.7 | M10       | 0.13      |
| TP-F203     | SUC203      | 17      | 88  | 63.5 | 13.4 | 27.8 | 11 | 36.3 | 18   | 31   | 12.7 | M10       | 0.13      |
| TP-F204     | SUC204      | 20      | 88  | 63.5 | 13.4 | 27.8 | 11 | 36.3 | 18   | 31   | 12.7 | M10       | 0.13      |
| TP-F205     | SUC205      | 25      | 95  | 70   | 14   | 28   | 11 | 36.7 | 17   | 34.1 | 14.3 | M10       | 0.14      |
| TP-F206     | SUC206      | 30      | 107 | 83   | 14.3 | 31.5 | 11 | 41.4 | 19.2 | 38.1 | 15.9 | M10       | 0.21      |
| TP-F207     | SUC207      | 35      | 118 | 92   | 15.5 | 34.8 | 13 | 46.9 | 21.5 | 42.9 | 17.5 | M12       | 0.26      |
| TP-F208     | SUC208      | 40      | 130 | 102  | 17   | 37.5 | 14 | 53.2 | 23   | 49.2 | 19   | M12       | 0.34      |
| TP-F209     | SUC209      | 45      | 137 | 105  | 19   | 41   | 17 | 54.2 | 24   | 49.2 | 19   | M16       | 0.41      |
| TP-F210     | SUC210      | 50      | 143 | 111  | 21   | 43   | 17 | 57.6 | 25   | 51.6 | 19   | M16       | 0.44      |

| Mode of Load | BREAKING POINT OF HOUSINGS (N) |        |        |        |        |        |        |
|--------------|--------------------------------|--------|--------|--------|--------|--------|--------|
|              | 204                            | 204    | 204    | 204    | 204    | 204    | 204    |
|              | 26 843                         | 32 628 | 37 259 | 40 780 | 42 150 | 43 570 | 45 610 |
|              | 25 889                         | 20 111 | 19 030 | 4 159  | 4 328  | 4 531  | 4 632  |
|              | 4 670                          | 6 596  | 8 059  | 7 910  | 8 520  | 9 010  | 9 600  |



## Thermoplastic bearing housing



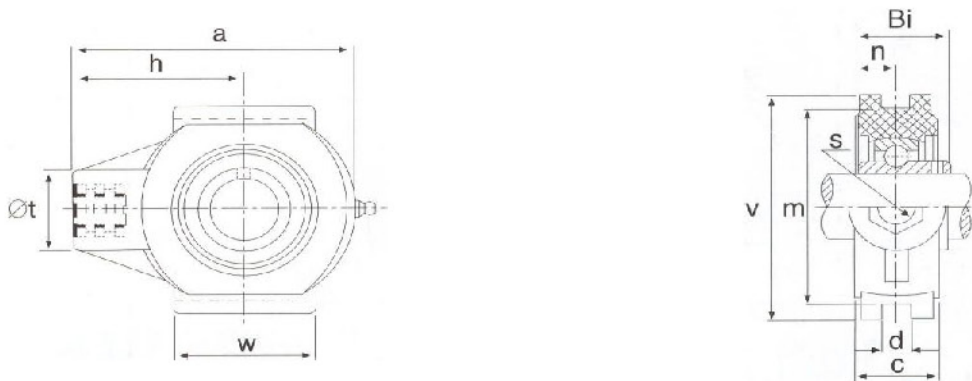
**Dimension table . Dimensions in mm**

| Housing No. | Bearing No. | Shaft d | a     | e     | b    | g    | l    | s  | z    | i    | Bi   | n    | Bolt Dia. | Weight kg |
|-------------|-------------|---------|-------|-------|------|------|------|----|------|------|------|------|-----------|-----------|
| TP-FL201    | SUC201      | 12      | 113   | 90    | 65   | 11.4 | 26.5 | 11 | 33.7 | 15.4 | 31   | 12.7 | M10       | 0.09      |
| TP-FL202    | SUC202      | 15      | 113   | 90    | 65   | 11.4 | 26.5 | 11 | 33.7 | 15.4 | 31   | 12.7 | M10       | 0.09      |
| TP-FL203    | SUC203      | 17      | 113   | 90    | 65   | 11.4 | 26.5 | 11 | 33.7 | 15.4 | 31   | 12.7 | M10       | 0.09      |
| TP-FL204    | SUC204      | 20      | 113   | 90    | 65   | 11.4 | 26.5 | 11 | 33.7 | 15.4 | 31   | 12.7 | M10       | 0.09      |
| TP-FL205    | SUC205      | 25      | 131   | 99    | 69.5 | 13.5 | 29.1 | 11 | 36.7 | 17   | 34.1 | 14.3 | M10       | 0.11      |
| TP-FL206    | SUC206      | 30      | 148   | 117   | 80   | 13.3 | 30.5 | 11 | 41.2 | 19   | 38.1 | 15.9 | M10       | 0.13      |
| TP-FL207    | SUC207      | 35      | 164   | 130   | 90   | 16.1 | 32.8 | 13 | 43.4 | 18   | 42.9 | 17.5 | M12       | 0.17      |
| TP-FL208    | SUC208      | 40      | 176   | 144   | 100  | 20   | 37.5 | 14 | 51.7 | 21.5 | 49.2 | 19   | M12       | 0.24      |
| TP-FL209    | SUC209      | 45      | 188.5 | 148.5 | 106  | 21   | 41   | 17 | 54.2 | 24   | 49.2 | 19   | M16       | 0.30      |
| TP-FL210    | SUC210      | 50      | 197   | 157   | 115  | 21   | 43   | 17 | 57.6 | 25   | 51.6 | 19   | M16       | 0.33      |

| Mode of Load | BREAKING POINT OF HOUSINGS (N) |        |        |        |        |        |        |
|--------------|--------------------------------|--------|--------|--------|--------|--------|--------|
|              | 204                            | 205    | 206    | 207    | 208    | 209    | 210    |
|              | 10 872                         | 12 554 | 18 224 | 16 900 | 17 213 | 17 600 | 17 950 |
|              | 10 590                         | 15 093 | 16 826 | 14 900 | 15 150 | 15 350 | 15 650 |
|              | 6 584                          | 5 314  | 5 633  | 6 000  | 6 510  | 6 940  | 7 590  |



## Thermoplastic bearing housing



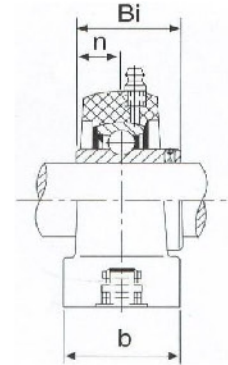
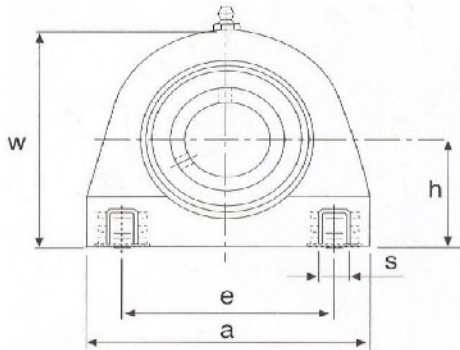
**Dimension table . Dimensions in mm**

| Housing No. | Bearing No. | Shaft d | a   | c    | d  | h  | m   | s   | t  | v     | w  | Bi   | n    | Weight kg |
|-------------|-------------|---------|-----|------|----|----|-----|-----|----|-------|----|------|------|-----------|
|             |             |         |     |      |    |    |     |     |    |       |    |      |      |           |
| TP-T201     | SUC201      | 12      | 99  | 27.5 | 12 | 64 | 76  | M16 | 36 | 88    | 47 | 31   | 12.7 | 0.18      |
| TP-T202     | SUC202      | 15      | 99  | 27.5 | 12 | 64 | 76  | M16 | 36 | 88    | 47 | 31   | 12.7 | 0.18      |
| TP-T203     | SUC203      | 17      | 99  | 27.5 | 12 | 64 | 76  | M16 | 36 | 88    | 47 | 31   | 12.7 | 0.18      |
| TP-T204     | SUC204      | 20      | 99  | 27.5 | 12 | 64 | 76  | M16 | 36 | 88    | 47 | 31   | 12.7 | 0.18      |
| TP-T205     | SUC205      | 25      | 99  | 27.5 | 12 | 64 | 76  | M16 | 36 | 88    | 47 | 34.1 | 14.3 | 0.16      |
| TP-T206     | SUC206      | 30      | 125 | 34.5 | 12 | 76 | 89  | M16 | 40 | 101.4 | 63 | 38.1 | 15.9 | 0.29      |
| TP-T207     | SUC207      | 35      | 125 | 34.5 | 12 | 76 | 89  | M16 | 40 | 101.4 | 63 | 42.9 | 17.5 | 0.24      |
| TP-T208     | SUC208      | 40      | 140 | 34.5 | 16 | 85 | 102 | M16 | 40 | 113.6 | 80 | 49.2 | 19   | 0.31      |
| TP-T209     | SUC209      | 45      | 149 | 40   | 16 | 90 | 102 | M20 | 50 | 117   | 85 | 49.2 | 19   | 0.43      |
| TP-T210     | SUC210      | 50      | 149 | 40   | 16 | 90 | 102 | M20 | 50 | 117   | 85 | 51.6 | 19   | 0.37      |

| Mode of Load | BREAKING POINT OF HOUSINGS (N) |        |        |        |        |        |        |
|--------------|--------------------------------|--------|--------|--------|--------|--------|--------|
|              | 204                            | 205    | 206    | 207    | 208    | 209    | 210    |
|              | 14 800                         | 15 500 | 15 800 | 16 500 | 17 300 | 18 210 | 18 860 |
|              | 3 930                          | 4 530  | 5 100  | 6 500  | 7 800  | 8 710  | 9 750  |
|              | 8 500                          | 10 350 | 10 900 | 11 300 | 12 150 | 12 900 | 13 550 |
|              | 40 700                         | 45 300 | 46 100 | 44 100 | 42 800 | 44 230 | 44 880 |



## Thermoplastic bearing housing



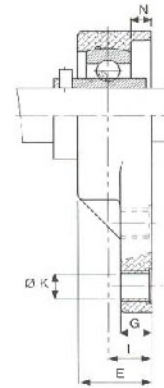
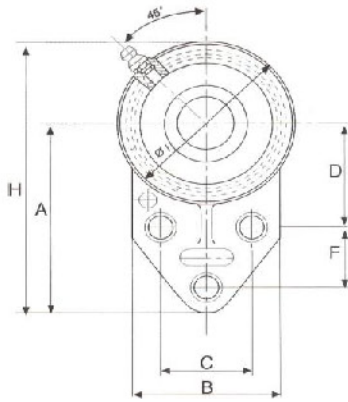
**Dimension table . Dimensions in mm**

| Housing No. | Bearing No. | Shaft |      | b    | w   | e  | a   | s   | Bi   | n    | Bolt Dia. | Weight kg |
|-------------|-------------|-------|------|------|-----|----|-----|-----|------|------|-----------|-----------|
|             |             | d     | h    |      |     |    |     |     |      |      |           |           |
| TP-PA203    | SUC203      | 17    | 33.3 | 34.5 | 64  | 52 | 76  | M8  | 31   | 12.7 | M8        | 0.10      |
| TP-PA204    | SUC204      | 20    | 33.3 | 38   | 64  | 52 | 76  | M8  | 31   | 12.7 | M8        | 0.10      |
| TP-PA205    | SUC205      | 25    | 36.5 | 38   | 72  | 56 | 84  | M10 | 34.1 | 14.3 | M10       | 0.14      |
| TP-PA206    | SUC206      | 30    | 33.3 | 48   | 84  | 66 | 94  | M10 | 38.1 | 15.9 | M10       | 0.20      |
| TP-PA207    | SUC207      | 35    | 47.6 | 48   | 95  | 80 | 110 | M10 | 42.9 | 17.5 | M10       | 0.24      |
| TP-PA208    | SUC208      | 40    | 49.2 | 54   | 100 | 84 | 116 | M12 | 49.2 | 19   | M12       | 0.28      |
| TP-PA209    | SUC209      | 45    | 54.2 | 54   | 108 | 90 | 120 | M12 | 49.2 | 19   | M12       | 0.35      |
| TP-PA210    | SUC210      | 50    | 57.2 | 60   | 116 | 94 | 130 | M16 | 51.6 | 19   | M16       | 0.45      |

| Mode of Load | BREAKING POINT OF HOUSINGS (N) |       |        |        |        |        |        |
|--------------|--------------------------------|-------|--------|--------|--------|--------|--------|
|              | 204                            | 205   | 206    | 207    | 208    | 209    | 210    |
|              | 8 210                          | 8 540 | 10 370 | 12 150 | 12 230 | 12 900 | 13 850 |
|              | 6 900                          | 7 010 | 6 580  | 8 080  | 9 100  | 10 400 | 11 050 |
|              | 2 980                          | 2 850 | 4 950  | 8 160  | 9 800  | 10 710 | 11 360 |



## Thermoplastic bearing housing



**Dimension table . Dimensions in mm**

| Housing No. | Bearing No. | Shaft d |       |      |      |      |      |      |      |       |      |      |      |      |      | Bolt Dia. | Weight kg |
|-------------|-------------|---------|-------|------|------|------|------|------|------|-------|------|------|------|------|------|-----------|-----------|
|             |             |         | A     | B    | C    | D    | E    | F    | G    | H     | I    | J    | K    | M    | N    |           |           |
| TP-FB201    | SUC201      | 12      | 76.2  | 62   | 38.1 | 42.9 | 33.7 | 22.2 | 11.4 | 108   | 63.5 | 26.5 | 10.7 | 18.3 | 12.7 | M10       | 0.28      |
| TP-FB202    | SUC202      | 15      | 76.2  | 62   | 38.1 | 42.9 | 33.7 | 22.2 | 11.4 | 108   | 63.5 | 26.5 | 10.7 | 18.3 | 12.7 | M10       | 0.26      |
| TP-FB203    | SUC203      | 17      | 76.2  | 62   | 38.1 | 42.9 | 33.7 | 22.2 | 11.4 | 108   | 63.5 | 26.5 | 10.7 | 18.3 | 12.7 | M10       | 0.25      |
| TP-FB204    | SUC204      | 20      | 76.2  | 62   | 38.1 | 42.9 | 33.7 | 22.2 | 11.4 | 108   | 63.5 | 26.5 | 10.7 | 18.3 | 12.7 | M10       | 0.25      |
| TP-FB205    | SUC205      | 25      | 85.7  | 63.5 | 41.3 | 46   | 41.2 | 28.6 | 11.4 | 120.6 | 70   | 34   | 10.7 | 19.7 | 14.3 | M10       | 0.30      |
| TP-FB206    | SUC206      | 30      | 96.5  | 76   | 47.6 | 52.4 | 41.5 | 31.8 | 13.3 | 138.5 | 83   | 32   | 10.7 | 22.2 | 15.9 | M10       | 0.46      |
| TP-FB207    | SUC207      | 35      | 109.5 | 89   | 50.8 | 60.3 | 47.1 | 31.8 | 16.1 | 157   | 95   | 36.5 | 13.1 | 25.4 | 17.5 | M12       | 0.66      |

| Mode of Load | BREAKING POINT OF HOUSINGS (N) |        |        |        |
|--------------|--------------------------------|--------|--------|--------|
|              | 204                            | 205    | 206    | 207    |
|              | 7 200                          | 9 100  | 12 200 | 12 900 |
|              | 9 200                          | 11 100 | 11 800 | 11 900 |
|              | 2 600                          | 2 800  | 2 900  | 3 100  |