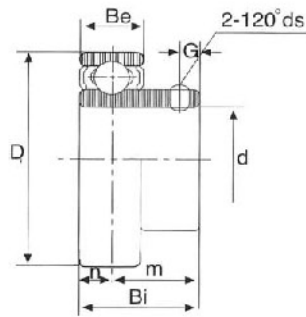
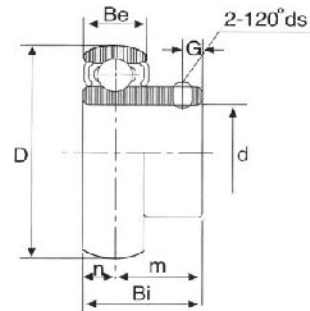




Radial insert ball bearing with screws in inner ring



•CSB200 (Light Duty)
Cylindrical O.D.



•SB200 (Light Duty)
Spherical O.D.

Dimension table . Dimensions in mm

Bearing No.	Shaft d (mm)	D	Bi	Be	n	m	G	ds (mm)	Basic dynamic Load ratings (N)	Basic static Load ratings (N)	weight (kg)
SB 201 CSB 201	12	40	22	12	6	16	4	M5x0.8	7 360	4 480	0.09
SB 202 CSB 202	15	40	22	12	6	16	4.9	M5x0.8	7 360	4 480	0.08
SB 203 CSB 203	17	40	22	12	6	16	4.9	M5x0.8	7 360	4 480	0.07
SB 204 CSB 204	20	47	25	14	7	18	5	M6x1	9 880	6 200	0.12
SB 205 CSB 205	25	52	27	15	7.5	19.5	5.5	M6x1	10 780	6 980	0.18
SB 206 CSB 206	30	62	30	16	8	22	5.9	M6x1	14 970	10 040	0.26
SB 207 CSB 207	35	72	32	17	8.5	23.5	8	M8x1	19 750	13 670	0.43
SB 208 CSB 208	40	80	34	18	9	25	8	M8x1	22 710	15 940	0.60
SB 209 CSB 209	45	85	36	19	9.5	31	8	M8x1	24 360	17 710	0.80
SB 210 CSB 210	50	90	38	20	10	32.6	10	M10x1.25	26 980	19 840	0.83