



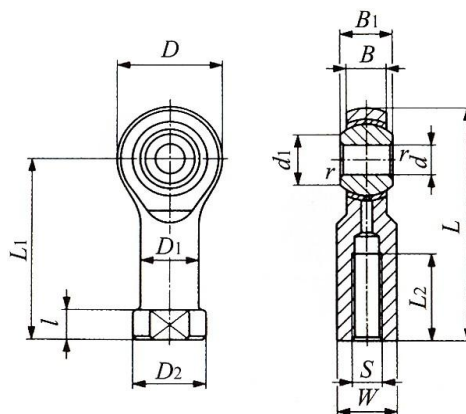
Pilloball rod end with female thread



Dimension table . Dimension in inch

Identification number	Boundary dimensions mm (inch)															
	d		Thread		D		B		B ₂		d ₂		L		l	
	inch	mm	S	class 3B	inch	mm	inch	mm	inch	mm	inch	mm	inch	mm	inch	mm
PHSB 2	0.1250	3.170	0.1380	-32NUC	0.469	11.91	0.187	4.75	0.250	6.35	0.187	4.75	1.046	26.57	0.187	4.75
PHSB 2.5	0.1562	3.970	0.1640	-32NUC	0.562	14.27	0.219	5.56	0.281	7.14	0.249	6.32	1.156	29.36	0.187	4.75
PHSB 3	0.1900	4.820	0.1900	-32NUF	0.625	15.88	0.250	6.35	0.312	7.92	0.306	7.77	1.375	34.93	0.187	4.75
PHSB 4	0.2500	6.350	0.2500	-28NUF	0.750	19.05	0.281	7.14	0.375	9.53	0.355	9.02	1.687	42.85	0.187	4.75
PHSB 5	0.3125	7.940	0.3125	-24NUF	0.875	22.23	0.344	8.74	0.437	11.10	0.447	11.35	1.812	46.02	0.187	4.75
PHSB 6	0.3750	9.520	0.3750	-24NUF	1.000	25.40	0.406	10.31	0.500	12.70	0.517	13.13	2.125	53.98	0.250	6.35
PHSB 7	0.4375	11.110	0.4375	-20NUF	1.125	28.58	0.437	11.10	0.562	14.27	0.586	14.88	2.375	60.33	0.250	6.35
PHSB 8	0.5000	12.700	0.5000	-20NUF	1.312	33.32	0.500	12.70	0.625	15.88	0.698	17.73	2.781	70.64	0.250	6.35
PHSB 10	0.6250	15.870	0.6250	-18NUF	1.500	38.10	0.562	14.27	0.750	19.05	0.839	21.31	3.250	82.55	0.312	7.92
PHSB 12	0.7500	19.050	0.7500	-16NUF	1.750	44.45	0.687	17.45	0.875	22.23	0.978	24.84	3.750	95.25	0.312	7.92
PHSB 16	1.0000	25.400	1.2500	-12NUF	2.750	69.85	1.000	25.40	1.375	34.93	1.269	32.23	5.500	139.70	0.436	11.07

- Bearing with a stretching rod, stretching rod with right or left - hand female thread.
(For left - hand thread, suffix L)
- The surface of spherical of rod body. The housing with a lubrication hole or a grease nipple.
- To plate zinc on the surface of rod body. The housing with a lubrication hole or a grease nipple.
- The front " SS " stands for body and ball is made of stainless steel.



												Mass (Ref.) g	Ball dia.		Basic load rating	
L ₁		L ₂		w		D ₁		D ₂		r _{smin} ⁽¹⁾			inch	mm	C _d N	C _d N
inch	mm	inch	mm	inch	mm	inch	mm	inch	mm	inch	mm					
0.812	20.62	0.375	9.53	0.250	6.35	0.25	6.35	0.312	7.92	0.012	0.3	6.8	(⁵ / ₁₆)	7.938	1 757	5 548
0.875	22.23	0.375	9.53	2.810	7.14	0.281	7.14	0.344	8.74	0.012	0.3	11	(³ / ₈)	9.525	2 470	7 799
1.062	26.97	0.562	14.27	0.312	7.92	0.312	7.92	0.406	10.31	0.012	0.3	14	(⁷ / ₁₆)	11.112	3 287	8 635
1.312	33.32	0.750	19.05	0.375	9.53	0.375	9.53	0.468	11.89	0.020	0.5	23	(³³ / ₆₄)	13.097	4 360	12 540
1.375	34.93	0.750	19.05	0.437	11.10	0.437	11.10	0.500	12.70	0.020	0.5	36	(⁵ / ₈)	15.875	6 460	15 675
1.625	41.28	0.937	23.80	0.562	14.27	0.562	14.27	0.687	17.45	0.020	0.5	59	(²³ / ₃₂)	18.256	8 768	20 520
1.812	46.02	1.062	26.97	0.625	15.88	0.625	15.88	0.750	19.05	0.020	0.5	82	(¹³ / ₁₆)	20.638	10 640	24 795
2.125	53.98	1.187	30.15	0.750	19.05	0.750	19.05	0.875	22.23	0.020	0.5	132	(¹⁵ / ₁₆)	23.812	14 060	34 390
2.500	63.50	1.500	38.10	0.875	22.23	0.875	22.23	1.000	25.40	0.020	0.5	191	(1 ¹ / ₁₈)	28.575	19 000	37 335
2.875	73.03	1.750	44.45	1.000	25.40	1.000	25.40	1.125	28.58	0.020	0.5	286	(⁵ / ₁₆)	33.338	27 075	52 250
4.125	104.78	2.125	53.98	1.500	38.10	1.500	38.10	1.750	44.45	0.020	0.5	998	(1 ⁷ / ₈)	47.625	56 335	82 460